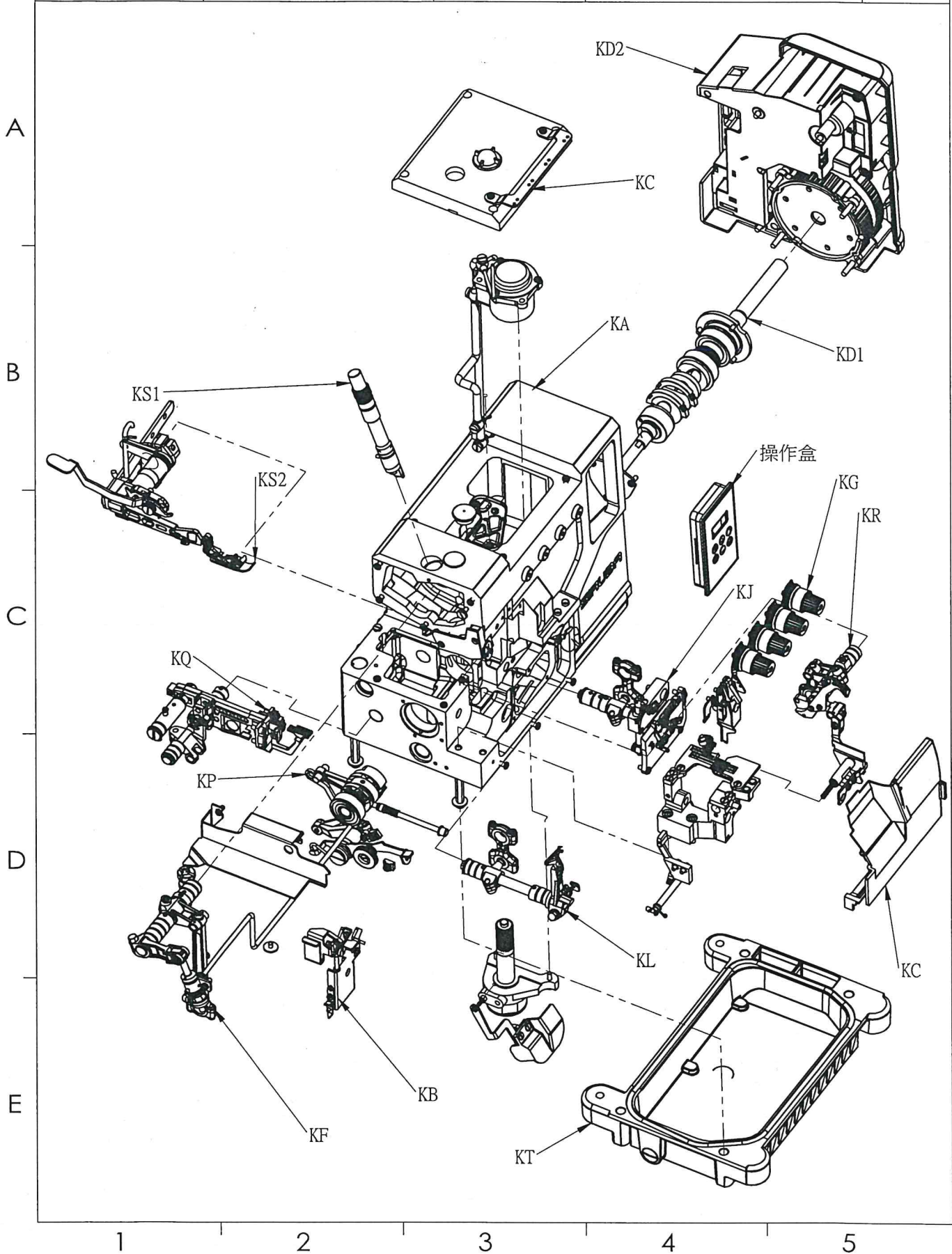


SIRUBA PARTS LIST	Series	Parts Group	Subclass Remark	Page
	600N	600N總裝		1/18
			Date	



**SIRUBA**

PARTS LIST

Series

600N

Parts Group

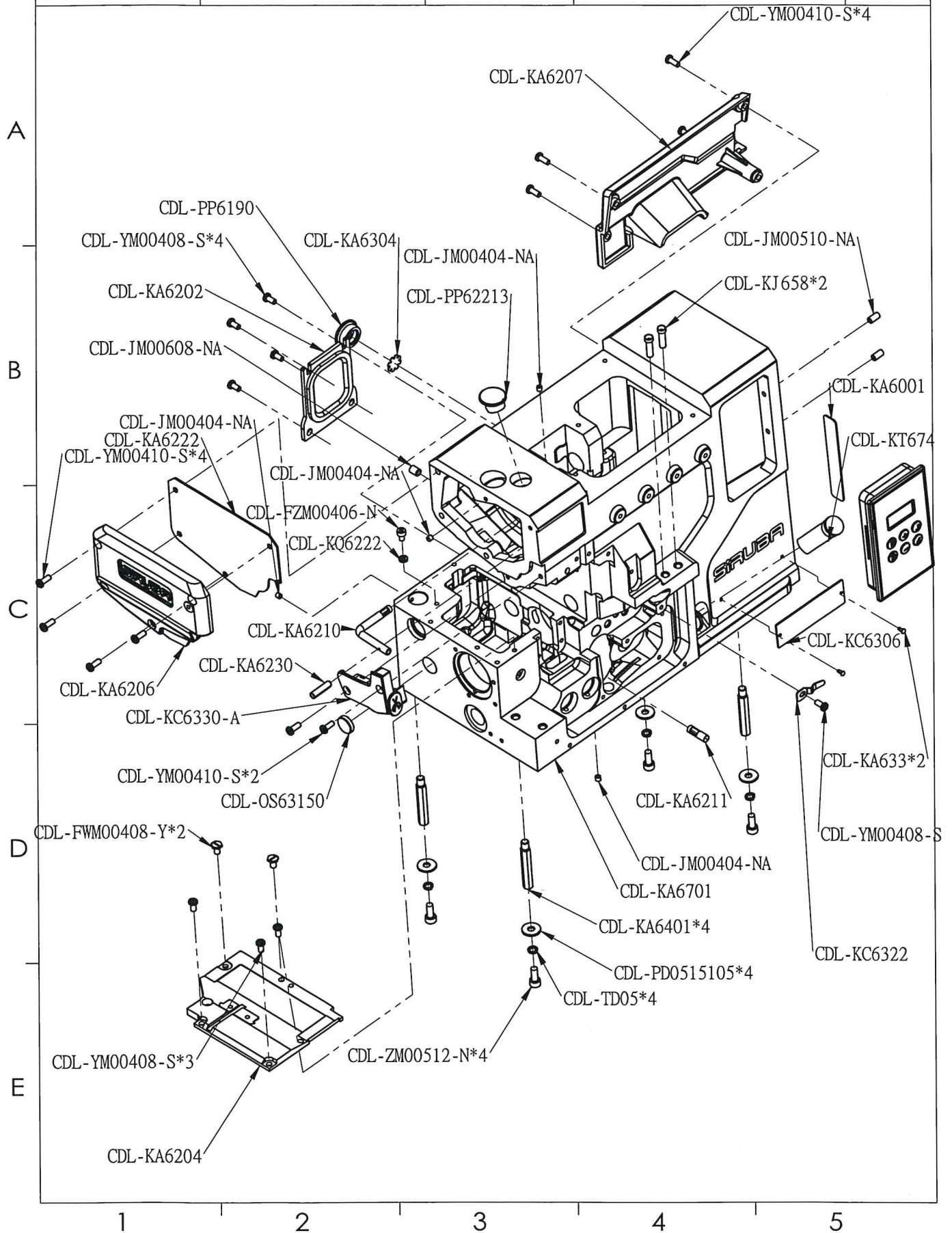
KA

Subclass Remark

Page

2/19

Date



**SIRUBA**

PARTS LIST

Series

600N

Parts Group

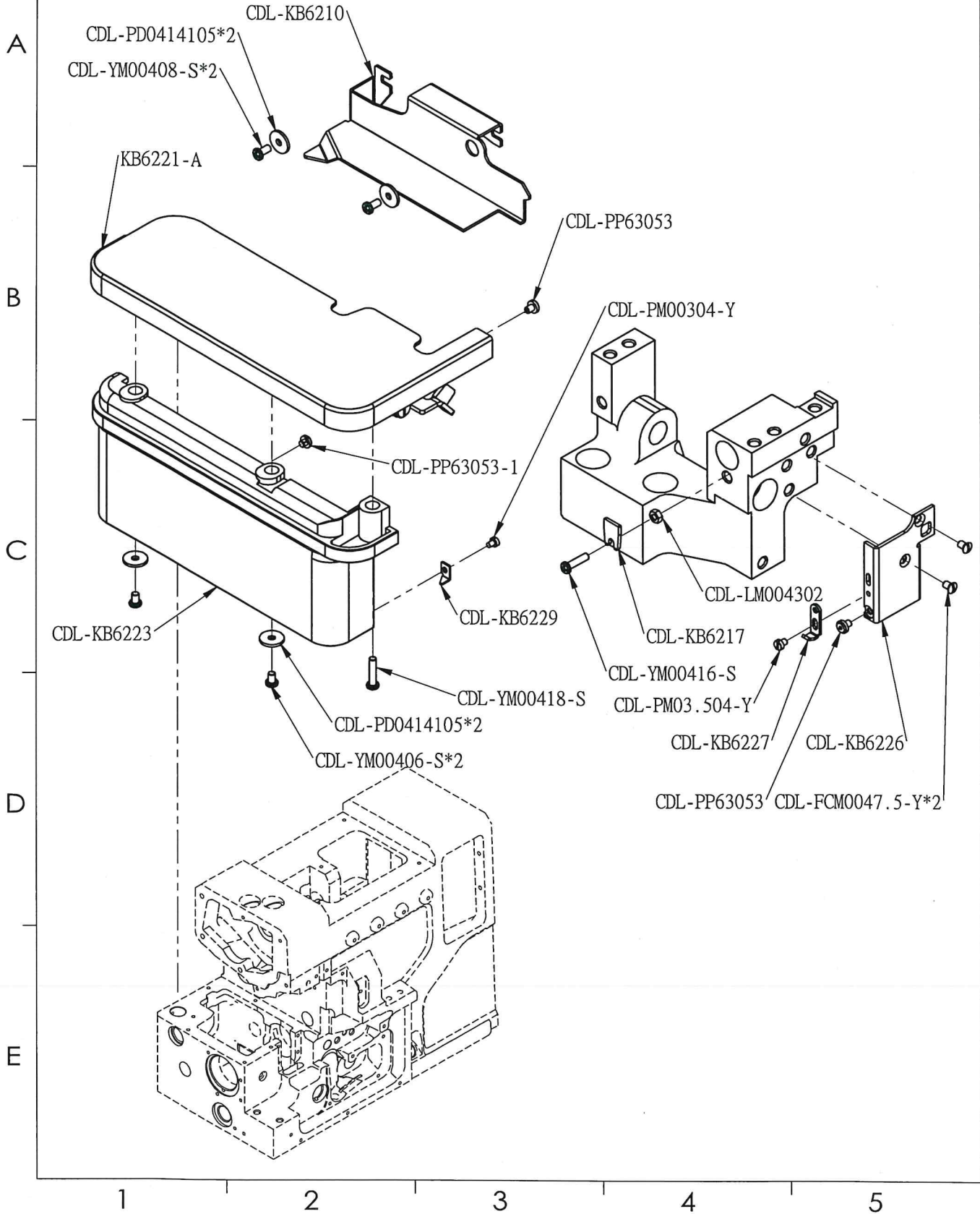
KB

Subclass Remark

Page

3/19

Date



**SIRUBA**

PARTS LIST

Series

600N

Parts Group

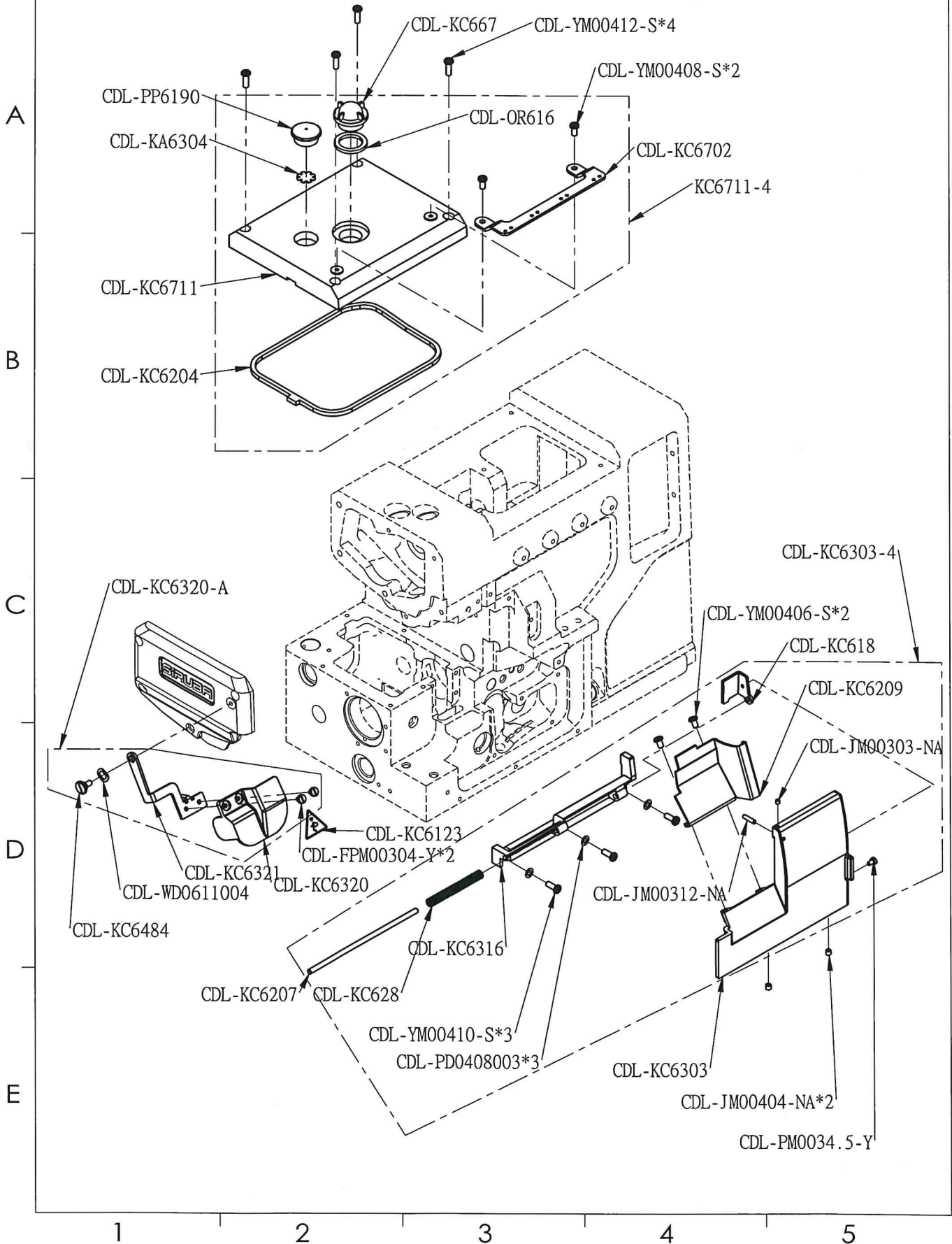
KC

Subclass Remark

Page

4/19

Date



**SIRUBA**

PARTS LIST

Series

600N

Parts Group

KD1

Subclass Remark

Page

5/19

Date

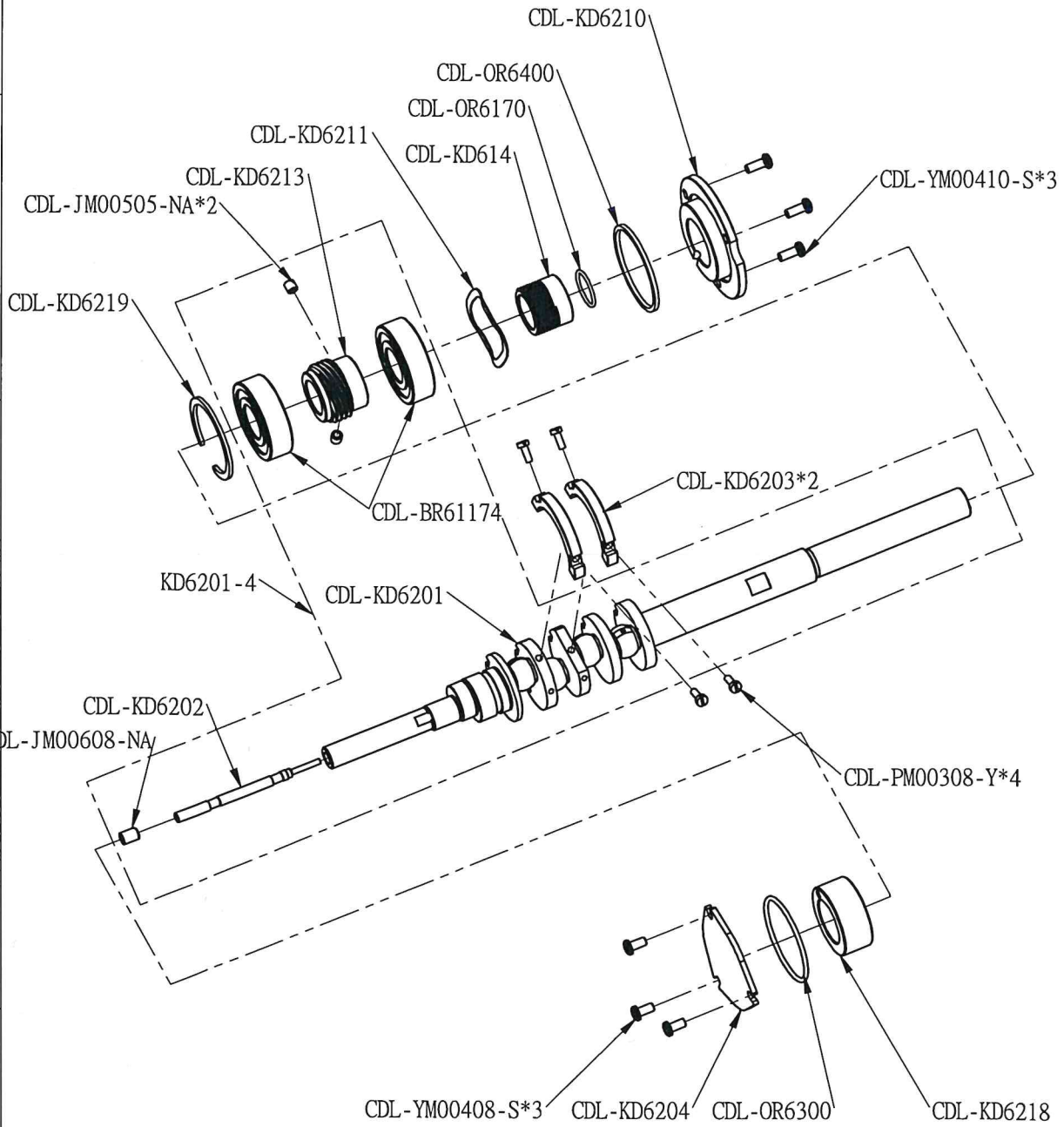
A

B

C

D

E



1

2

3

4

5

**SIRUBA**

PARTS LIST

Series

Parts Group

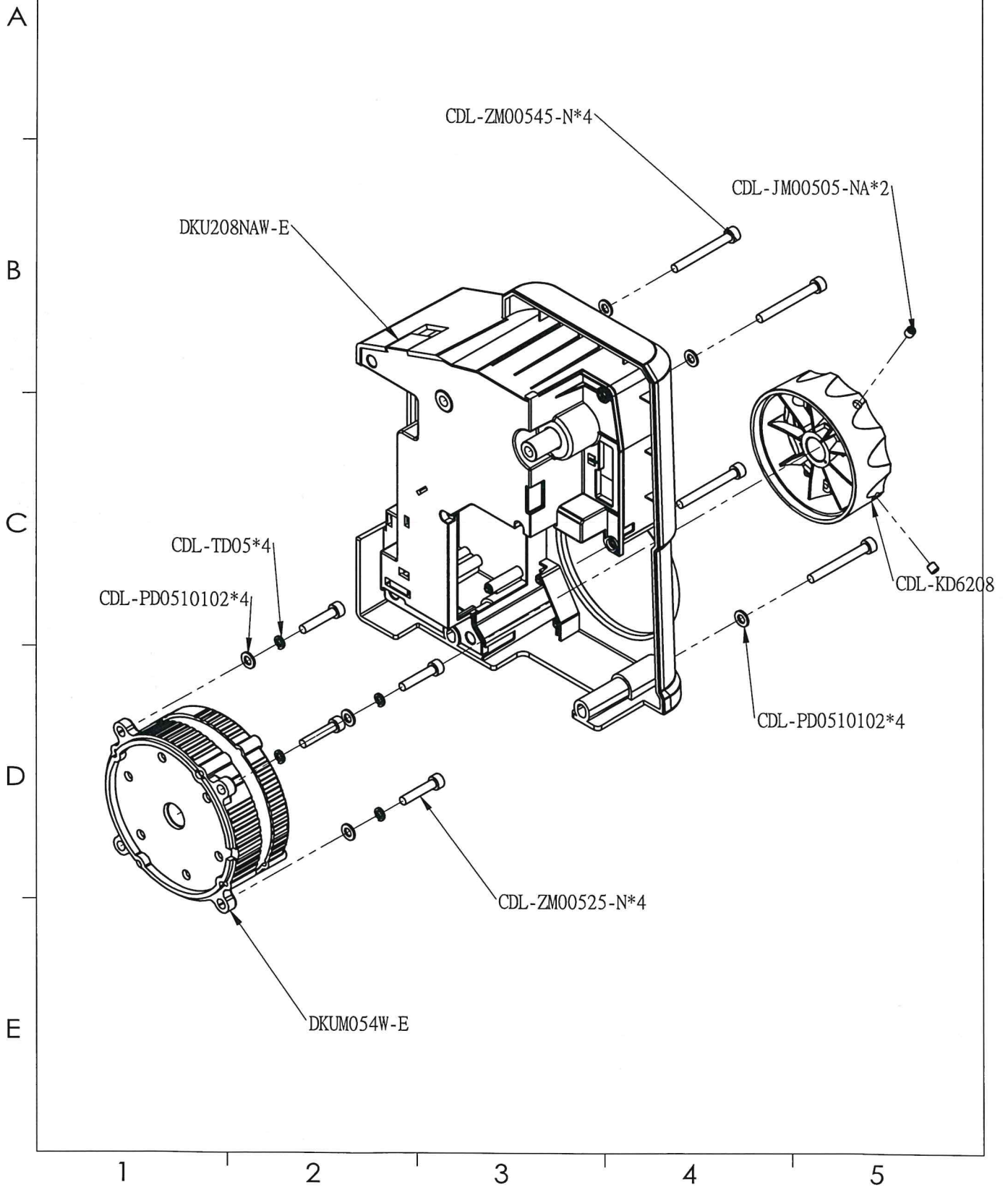
Subclass Remark

Page

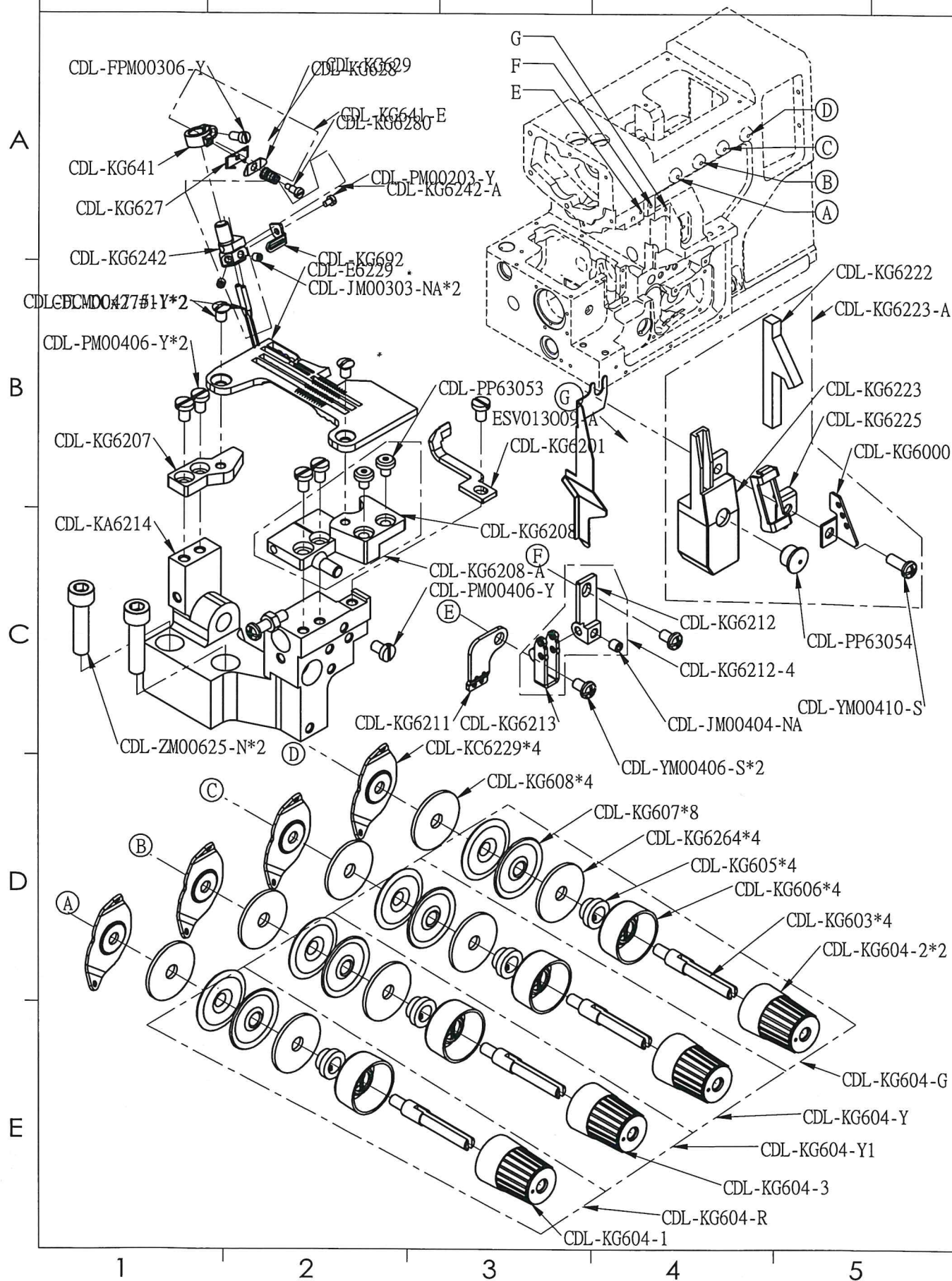
6/19

Date

KD2









**SIRUBA**

PARTS LIST

Series

600N

Parts Group

KL

Subclass Remark

Page

10/19

Date

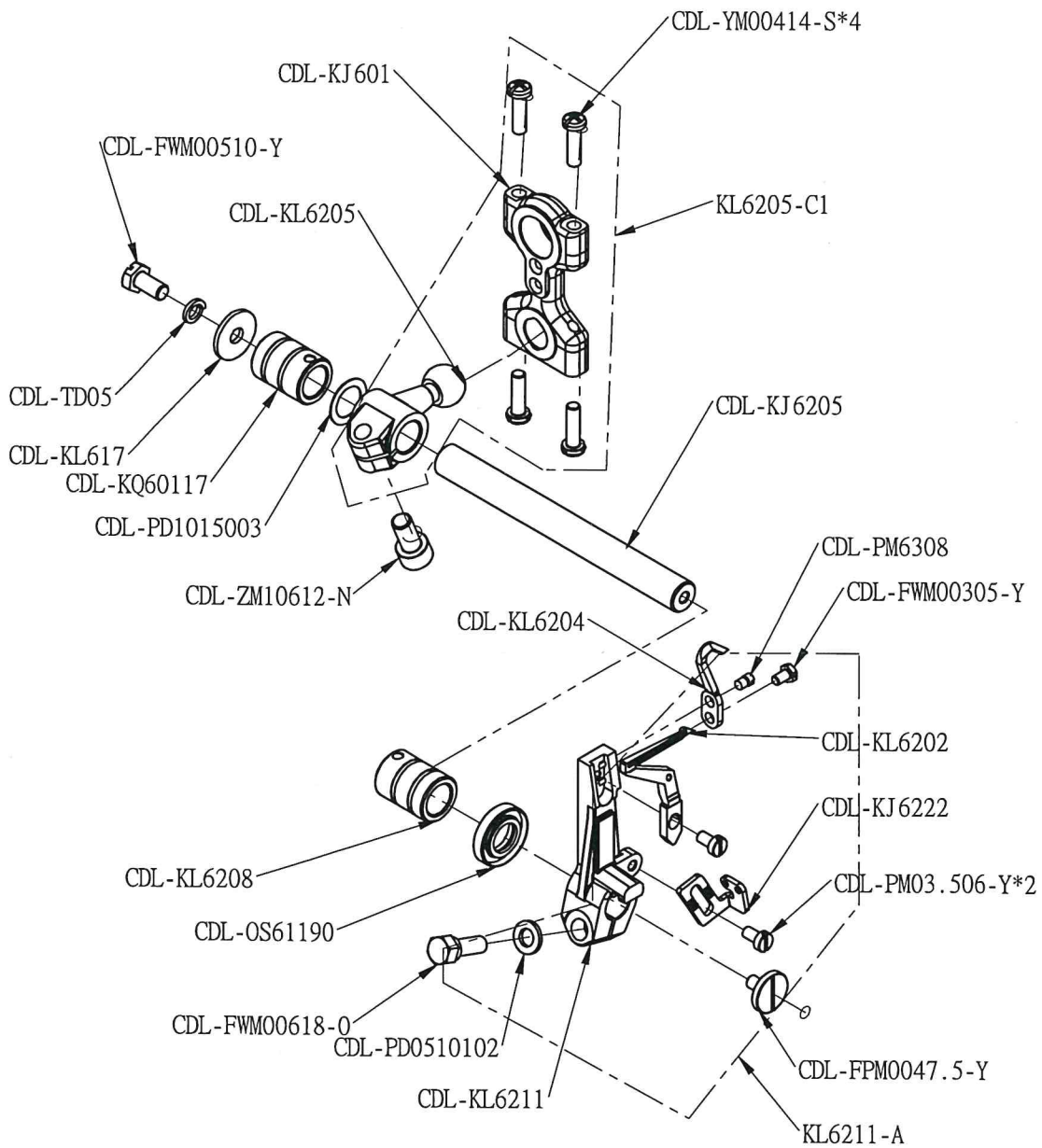
A

B

C

D

E



1

2

3

4

5

**SIRUBA**

PARTS LIST

Series

600N

Parts Group

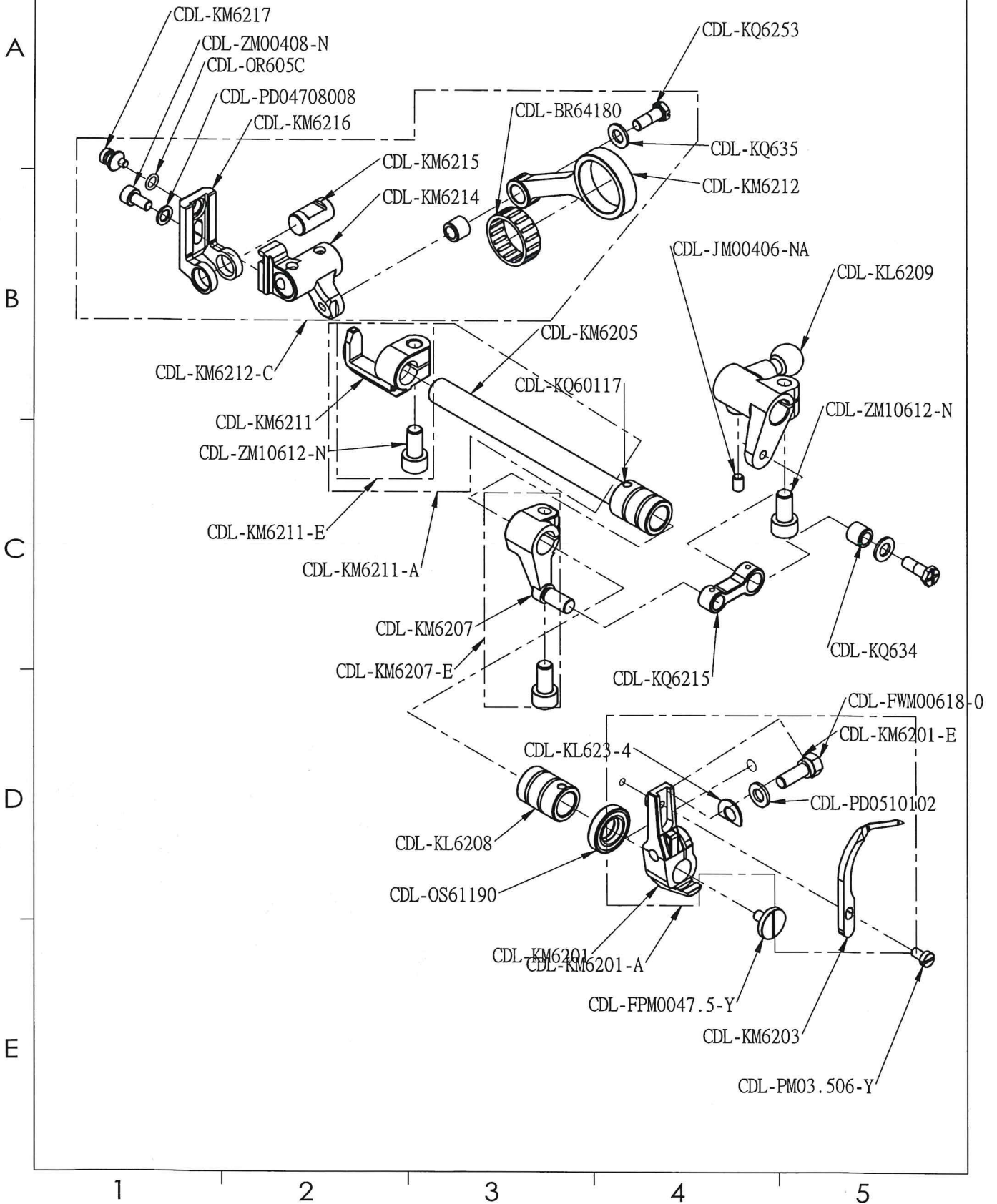
KM

Subclass Remark

Page

1/1

Date



**SIRUBA**

PARTS LIST

Series

600N

Parts Group

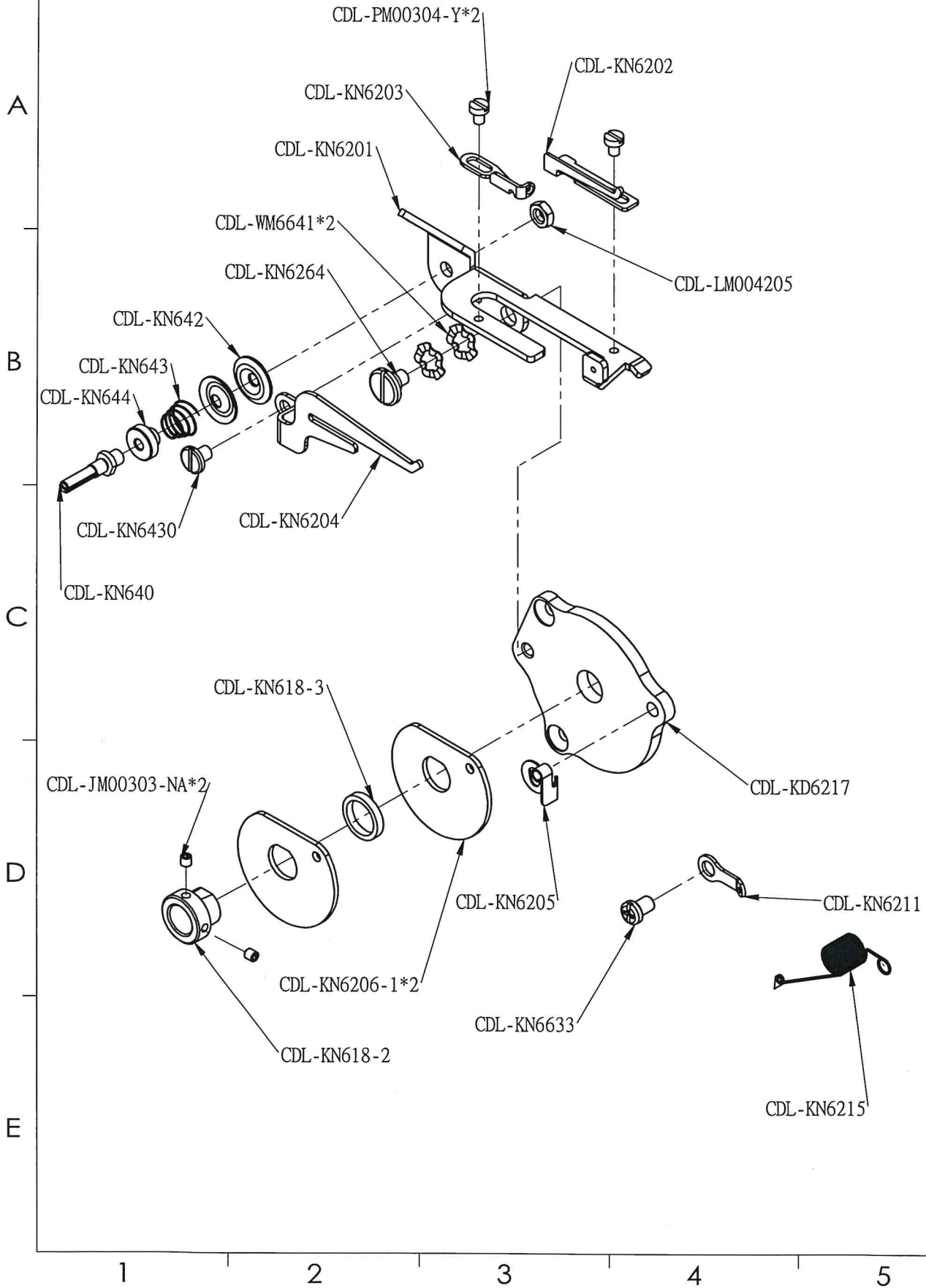
KN

Subclass Remark

Page

1 / 1

Date



**SIRUBA**

PARTS LIST

Series

600N

Parts Group

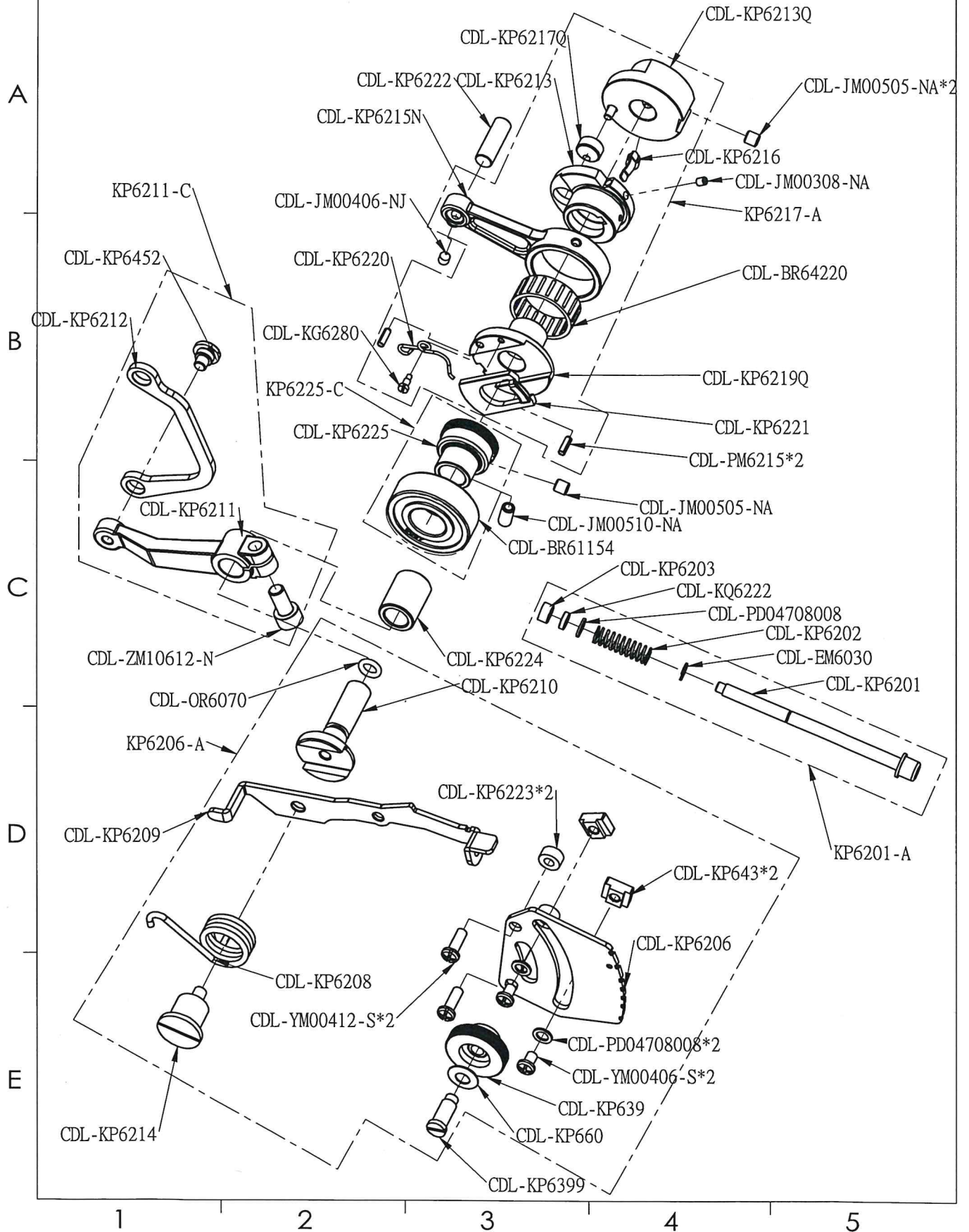
KP

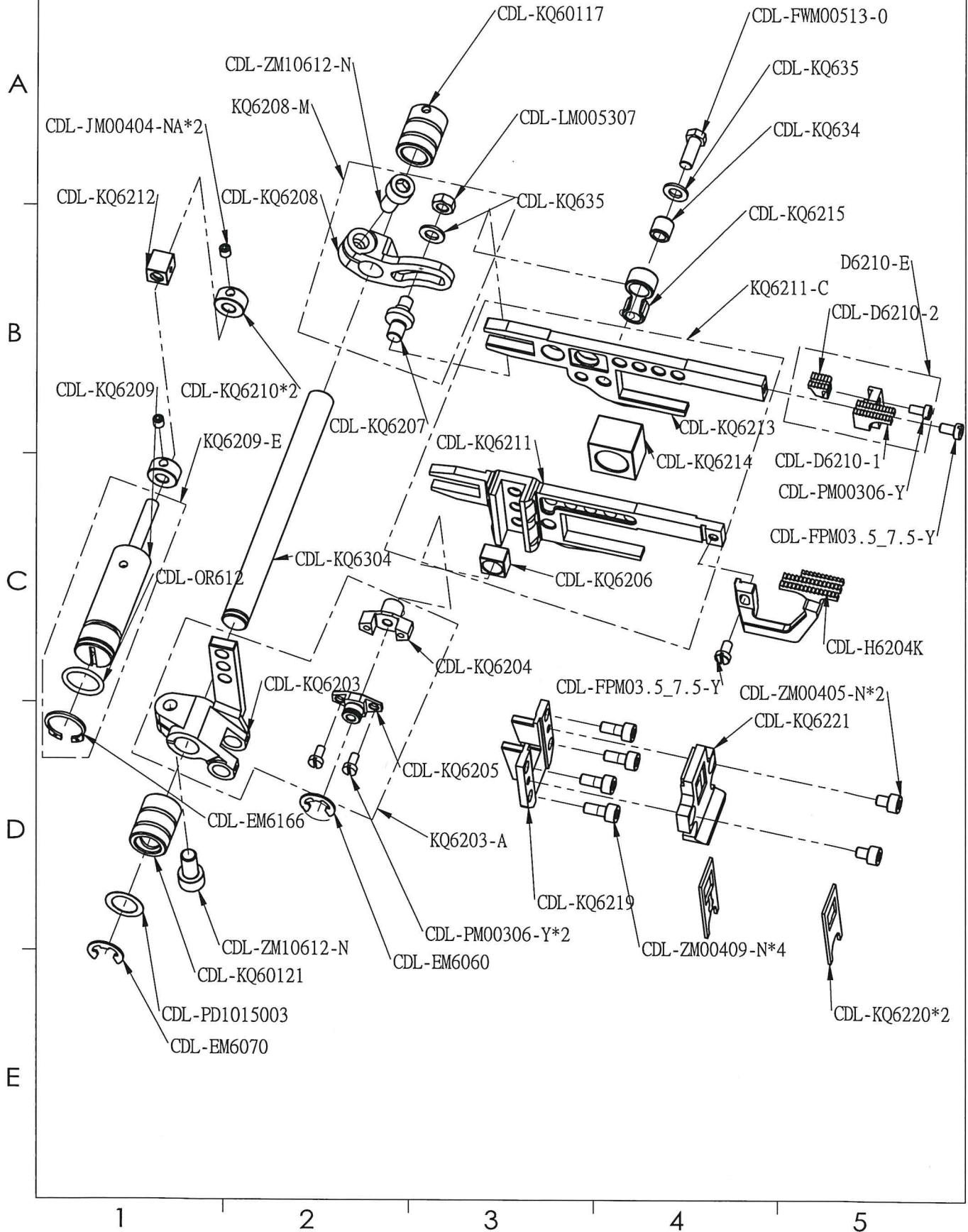
Subclass Remark

Page

11/19

Date





**SIRUBA**

PARTS LIST

Series

Parts Group

Subclass Remark

Page

600N

KR

13/19

Date

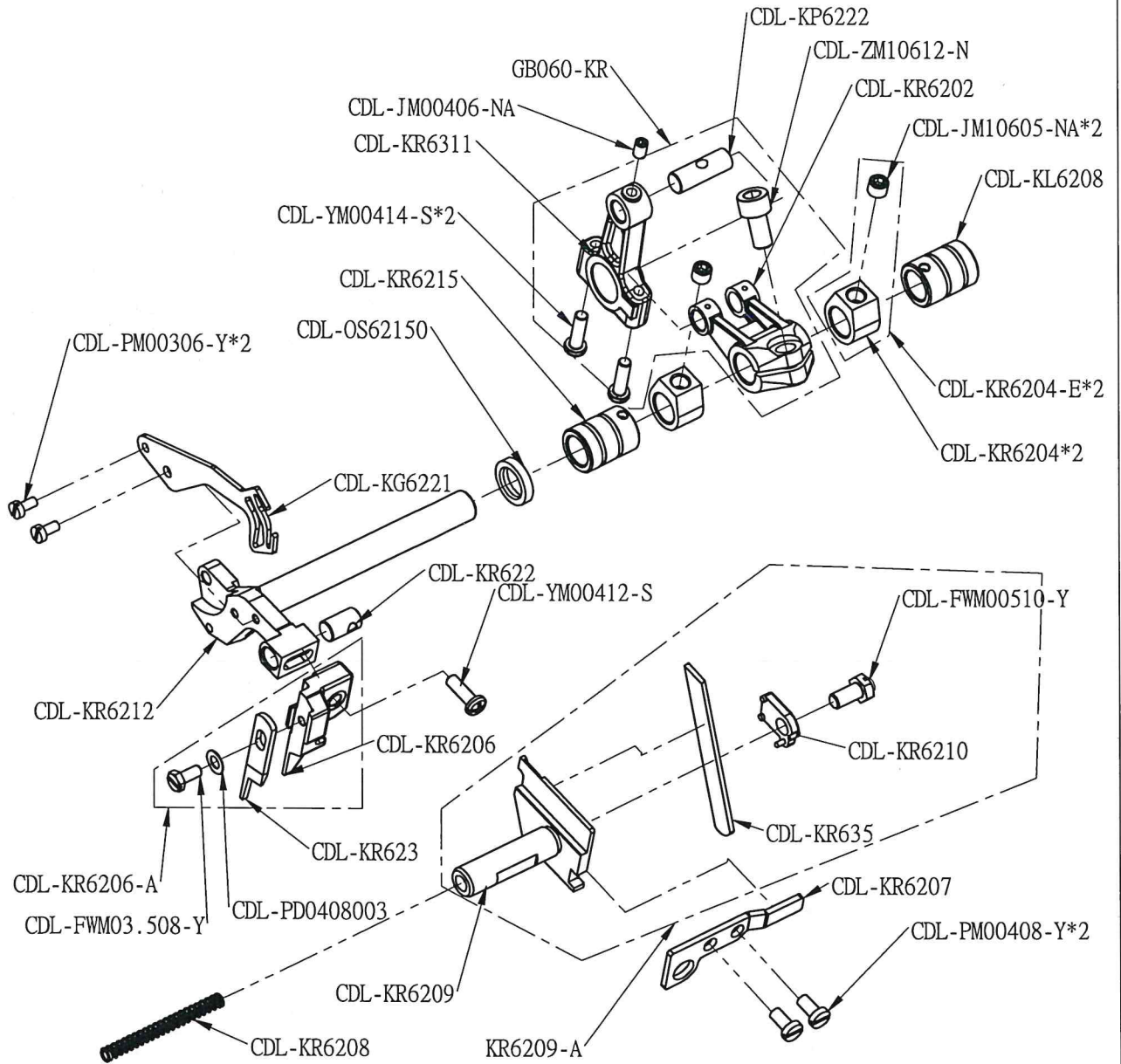
A

B

C

D

E



1

2

3

4

5

**SIRUBA**

PARTS LIST

Series

600N

Parts Group

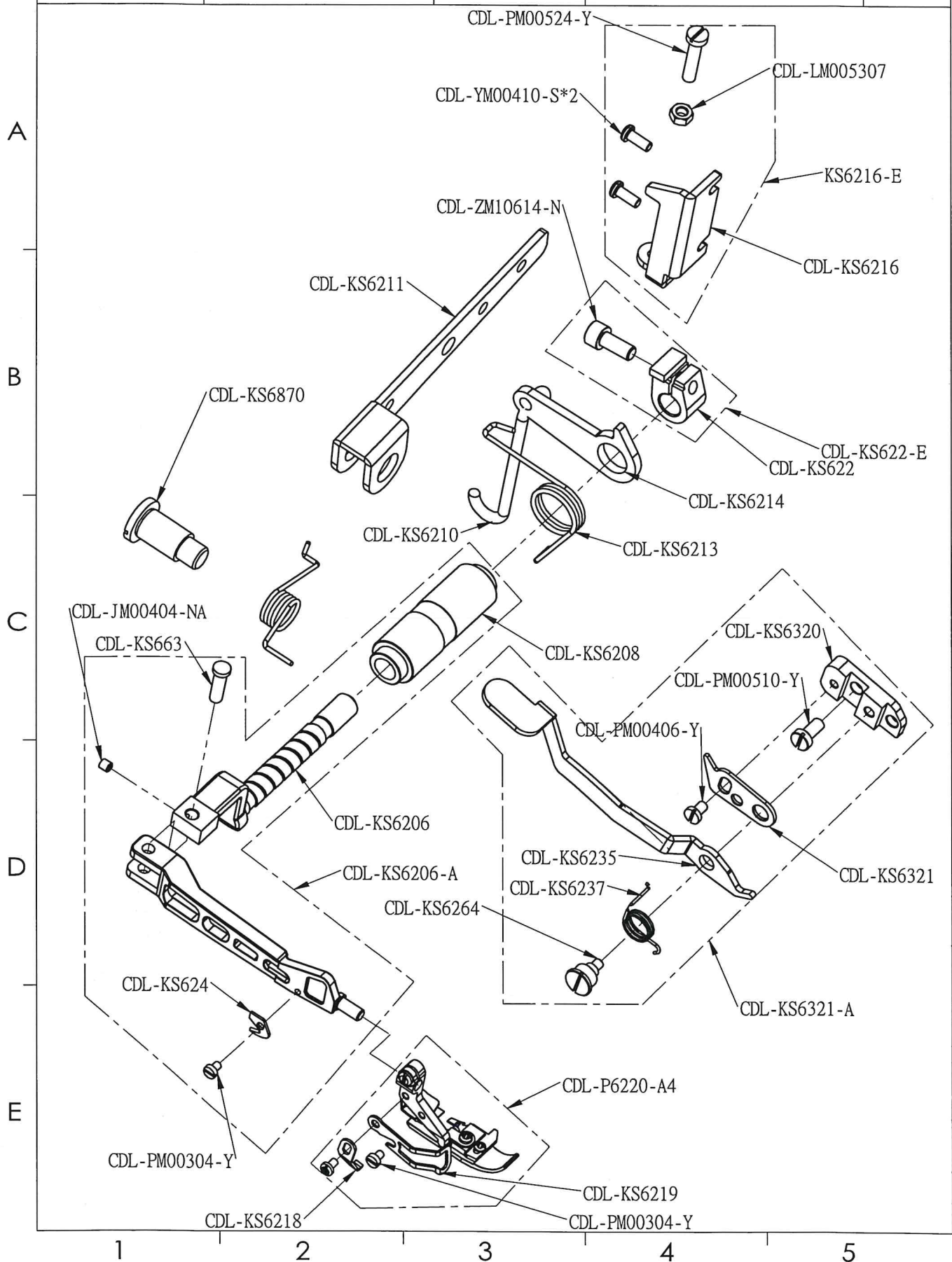
KS2

Subclass Remark

Page

15/19

Date



**SIRUBA**

PARTS LIST

Series

Parts Group

Subclass Remark

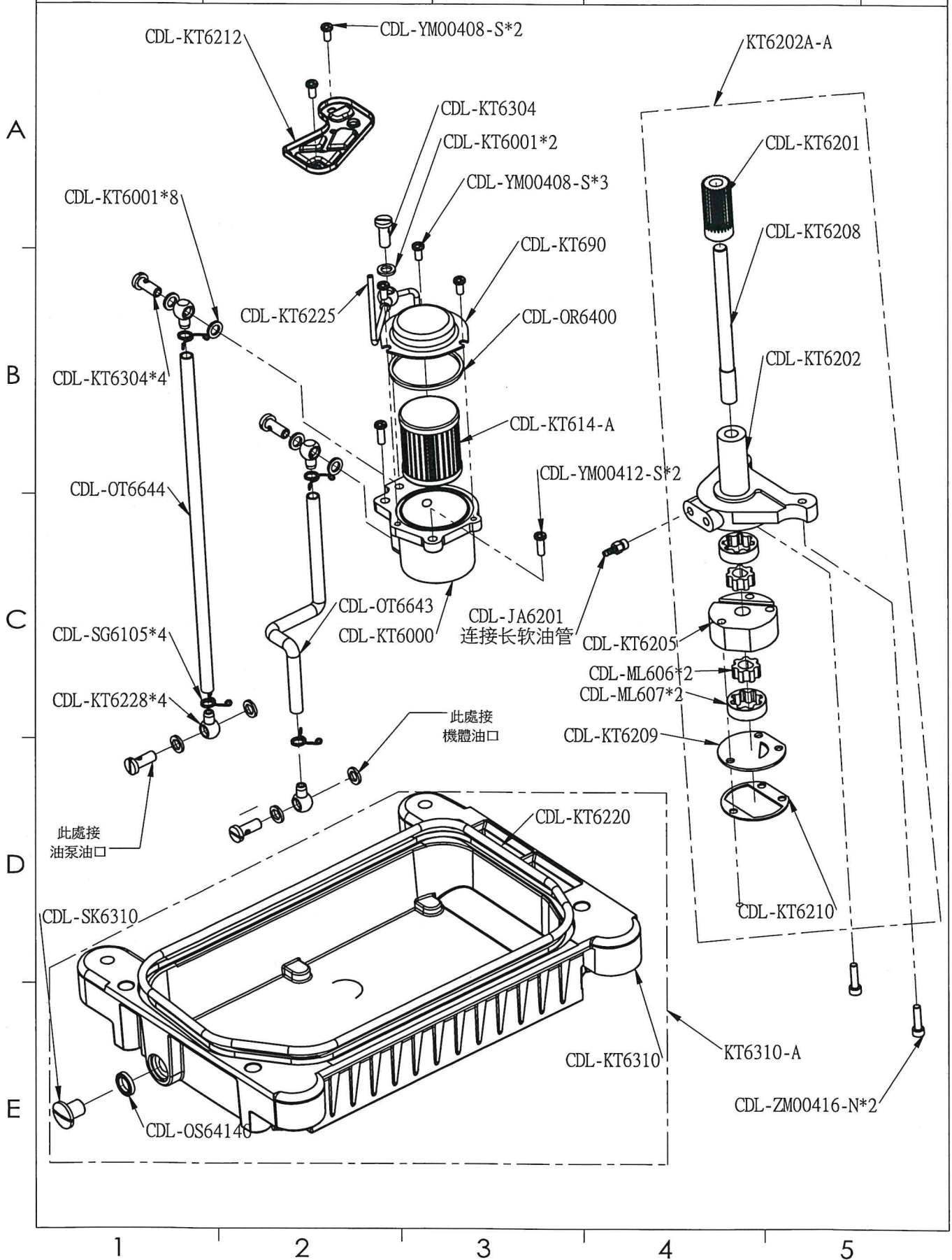
Page

600N

KT

16/19

Date



<b>SIRUBA</b> PARTS LIST	Series	Parts Group	Subclass Remark	Page
	600N	KU		17/19
				Date

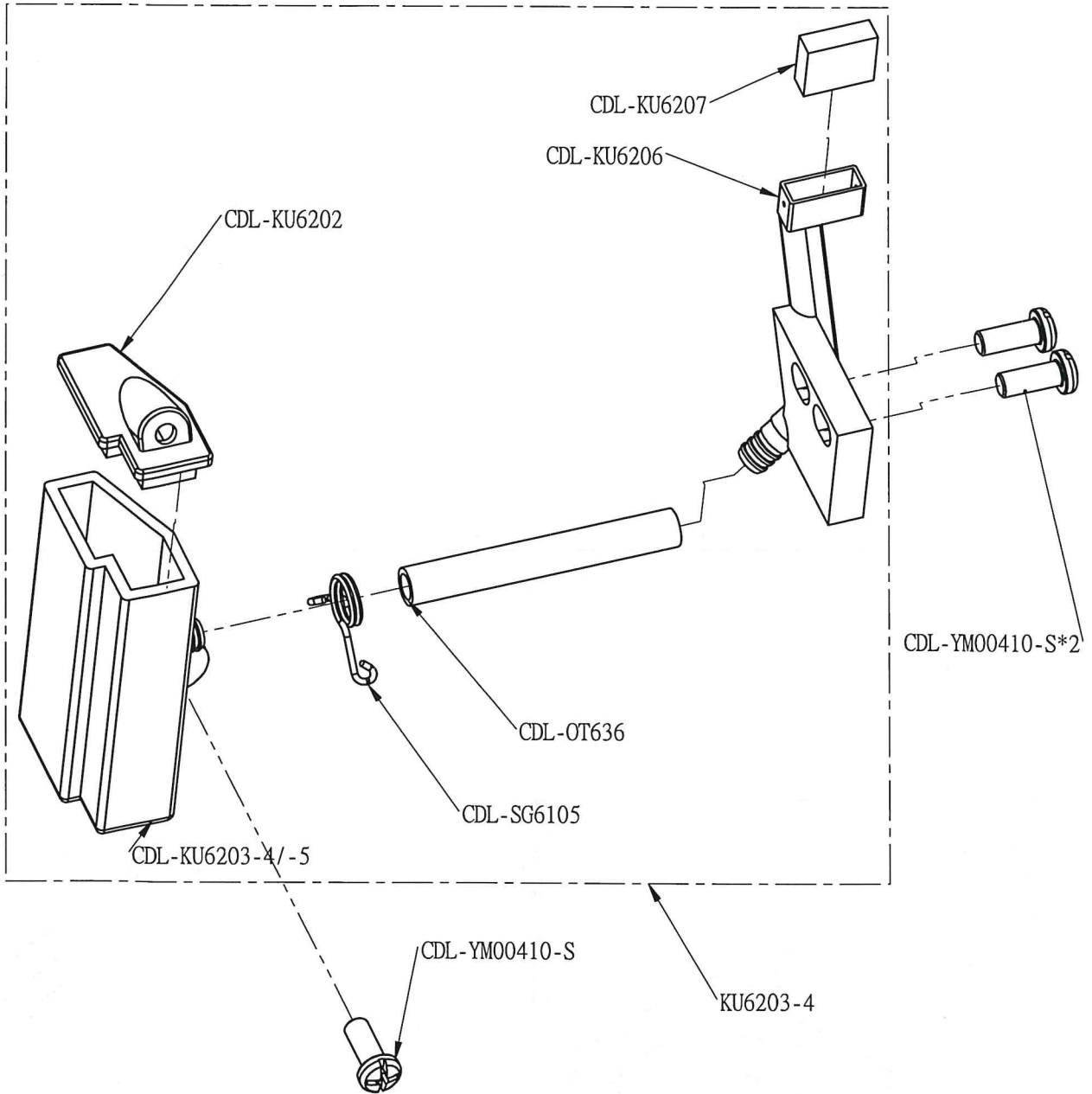
A

B

C

D

E



1

2

3

4

5

**SIRUBA**

PARTS LIST

Series

600N

Parts Group

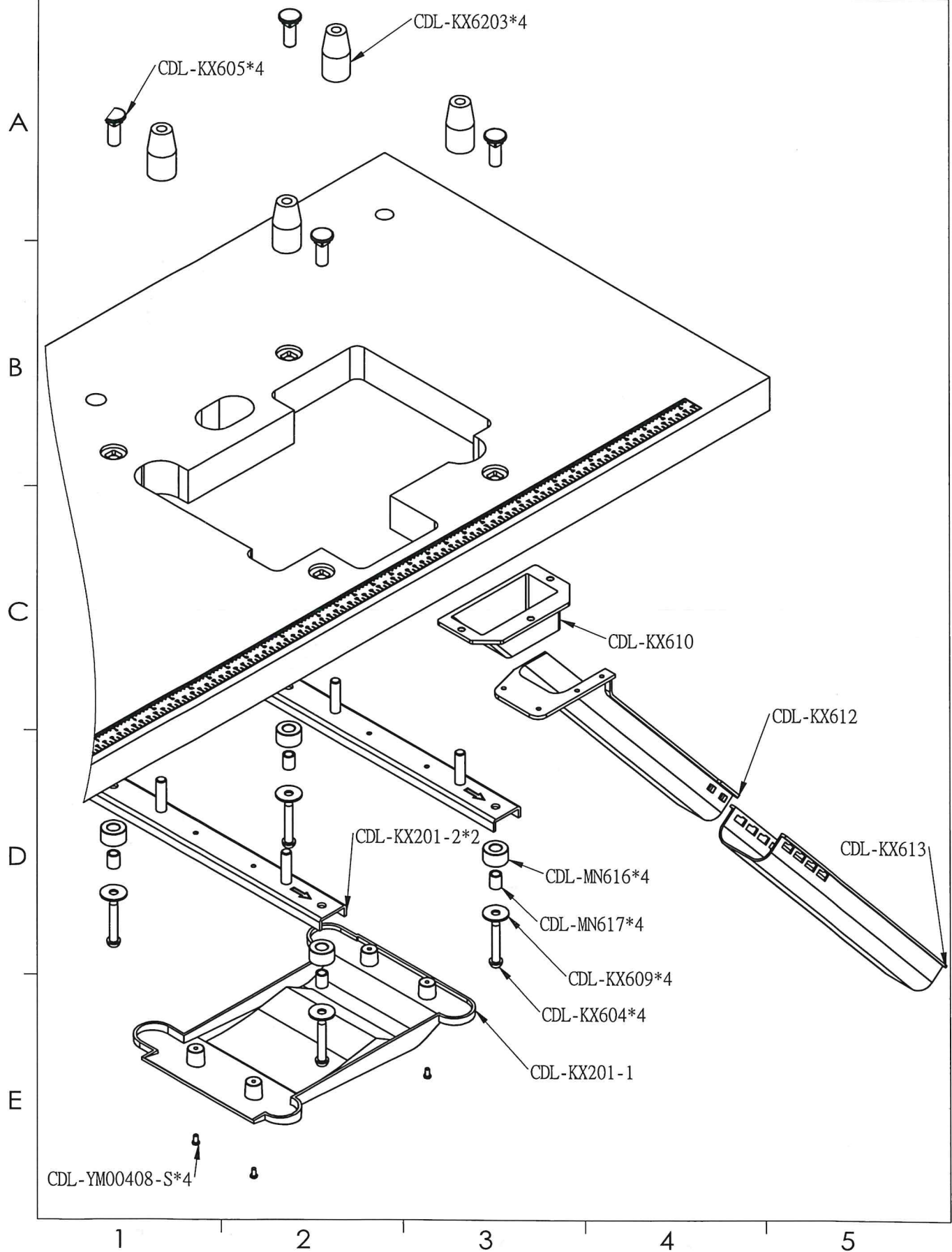
KX



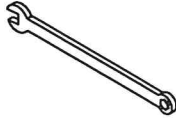

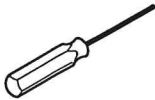
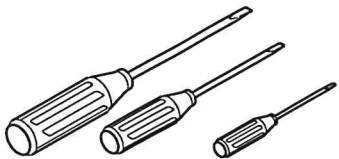
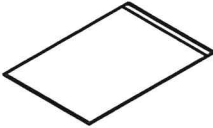


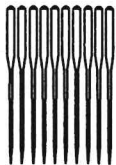

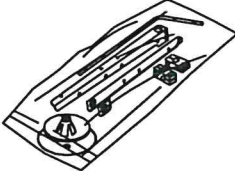
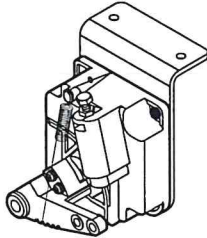
Subclass Remark

Page

18/19

Date



SIRUBA PARTS LIST	Series	Parts Group	Subclass / Remark		Page
	600N	KY			1/1
					Date
					2025/12/31
KY04KP 漏斗	KY618 鑷子	KY609 8号開口扳手	KY612 5mmL型六角扳手	MY614 內六角螺絲起子	
					A
LY633-1/LY633-2/ LY633-3 一字起子*3		KY201JKKP 工具袋	KZ03 乾燥劑	KY621-A/MY621-A 鉤子/鏈條	
					B
車針*10 車針	BS6508-A 固定架	KW640 線架	— 脚控&電源線		
					C
					D
					E
1	2	3	4	5	

**SIRUBA**

PARTS LIST

Series

600N

Parts Group

KZ

Subclass Remark

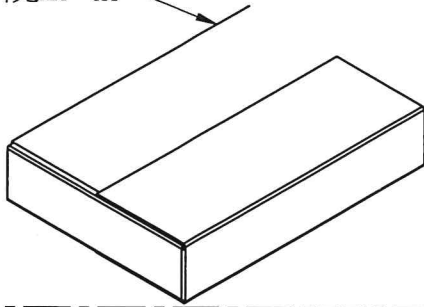
Page

19/19

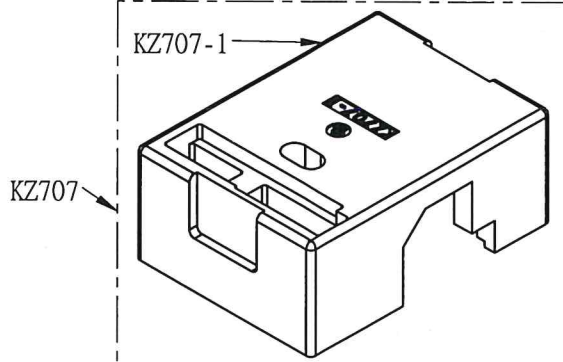
Date

KZ751  
配件盒物料見KX、KY

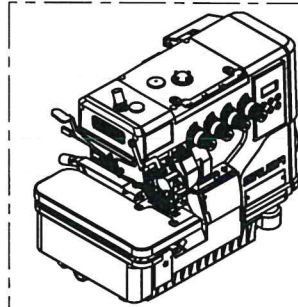
A



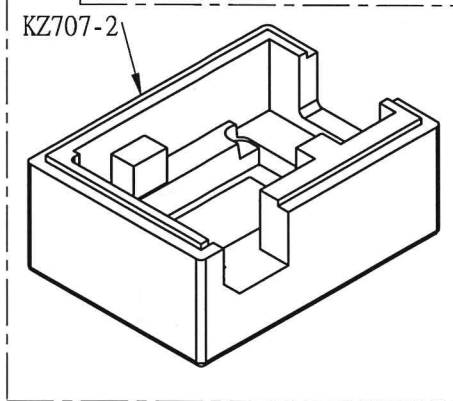
B



C



D



E

1

2

3

4

5

**SIRUBA**

PARTS LIST

Series

600N

Parts Group

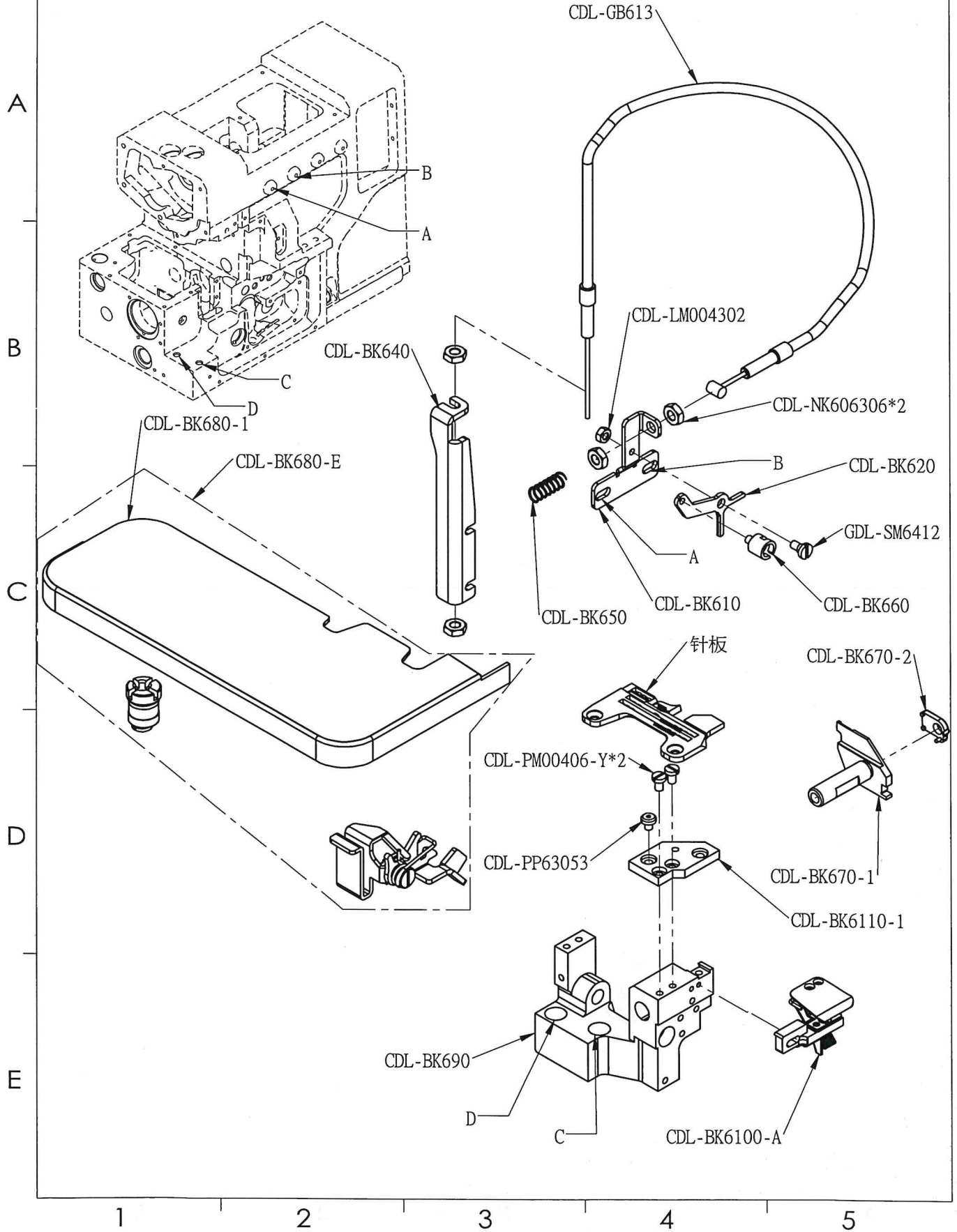
BK

Subclass Remark

Page

1/1

Date



**SIRUBA**

PARTS LIST

Series

600N

Parts Group

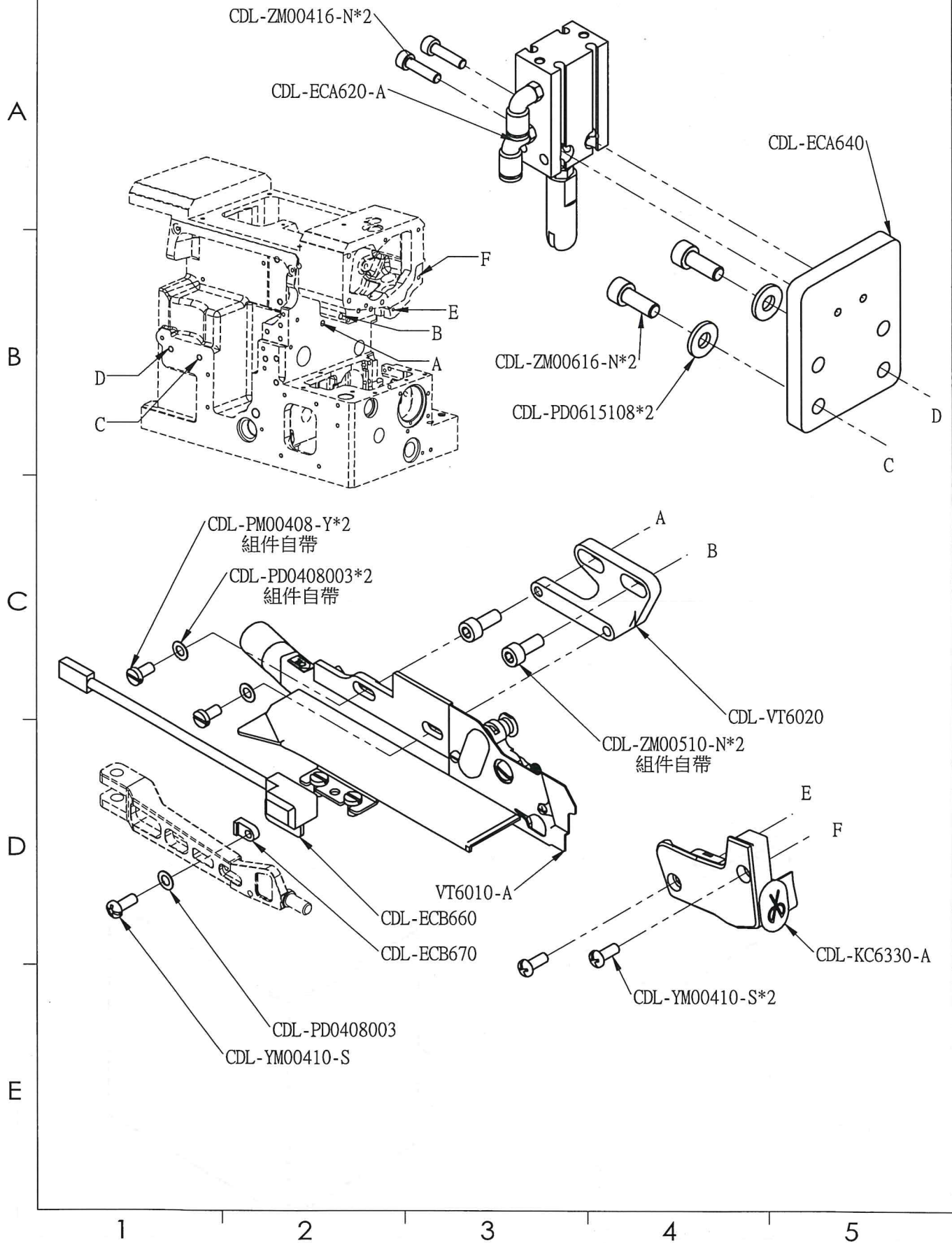
VT

Subclass Remark

Page

1 / 1

Date



**SIRUBA**

PARTS LIST

Series

600N

Parts Group

CT

Subclass Remark

Page

1/1

Date

