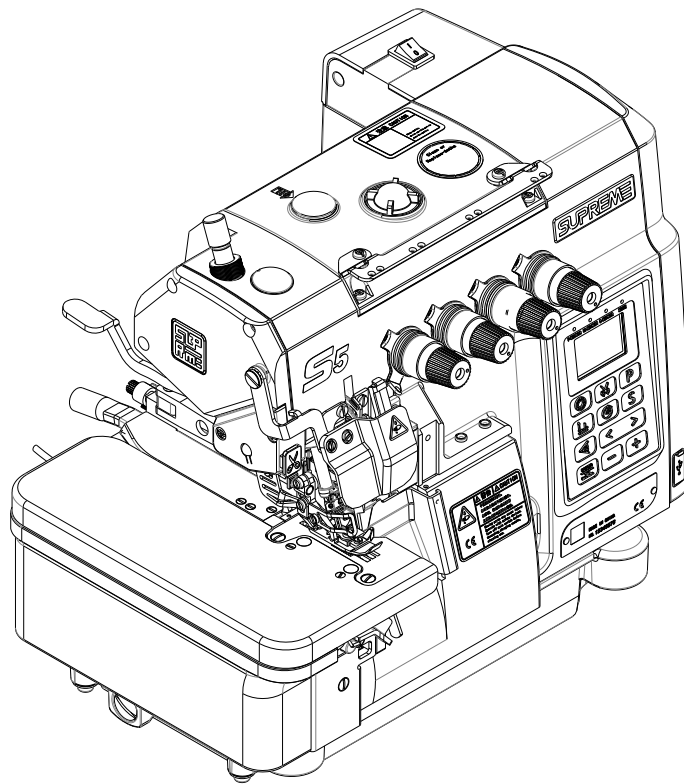


在使用机器之前请阅读本零件手册。
请将本零件手册放在便于查阅的地方保管。
Please read this parts book before using the machine.
Please keep this parts book within easy reach for quick reference.

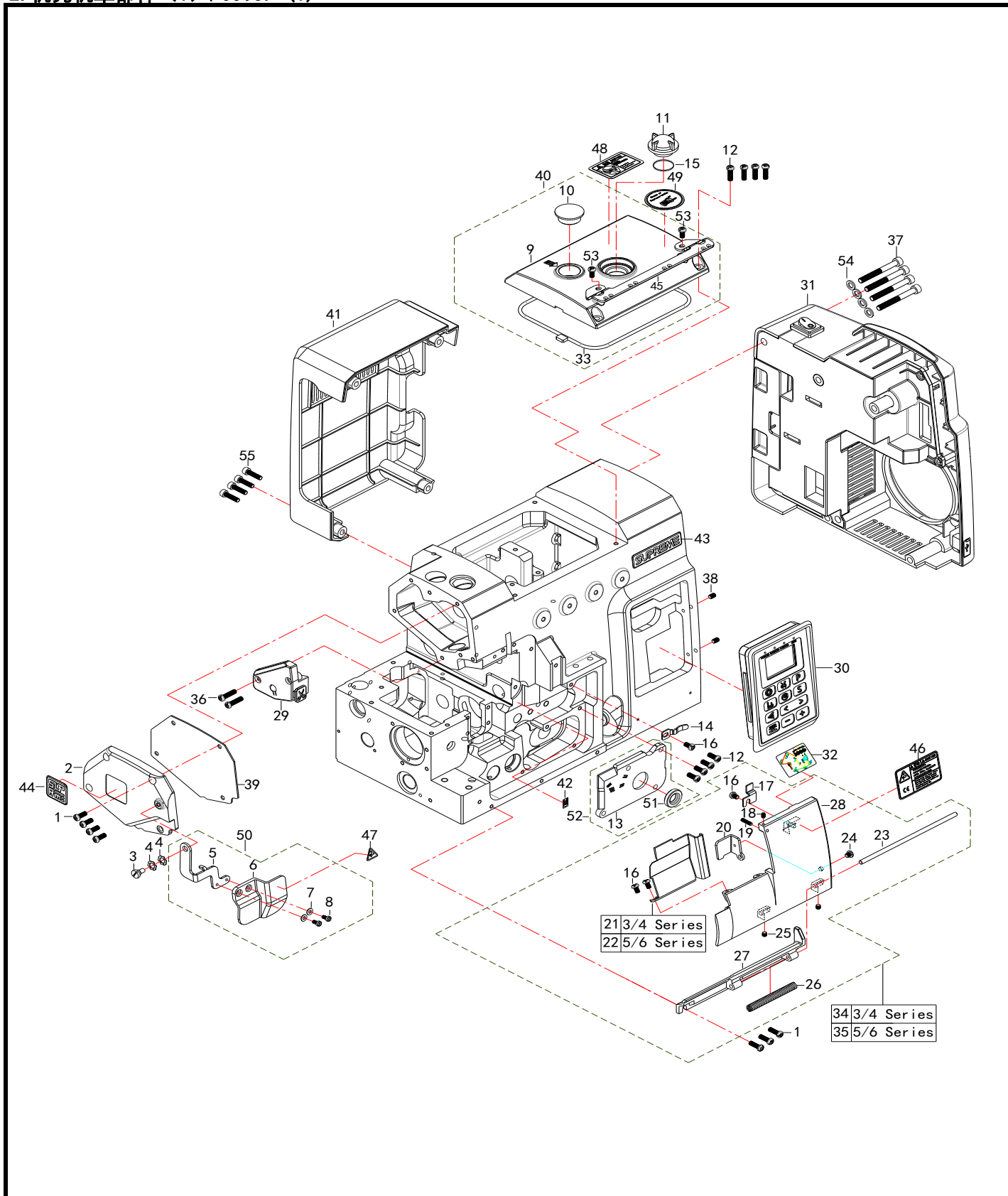
S5F智能超高速电脑包缝机 **S5F Intelligent Super High-Speed Step** **Computerized Overlock**



12	52004950	下刀座	UNDER THE KNIFE HOLDER	1	1	1	1
13	01206251	内六角螺栓 (黑色) M6X25	HEXAGON SOCKET BOLT (BLACK) M6X25	2	2	2	2
14	52003720	六角立柱M6X48 (发黑)	HEXAGONAL COLUMN M6X48 (BLACK)	4	4	4	4
15	52002810	穿线套	THREADING SET	2	2	2	2
16	52000000	车壳	CAR SHELL	1	1	1	1
17	52010000	下刀座组件	LOWER TOOL HOLDER ASSEMBLY	1	1	1	1
18	52004670	油封	OIL SEAL	1	1	0	0
19	52001790	压杆套筒	COMPRESSIVE BAR SLEEVE	1	1	1	1
20	52004870	圆柱销 $\varnothing 7 \times 10$	THE CYLINDRICAL PIN $\varnothing 7 \times 10$	1	1	1	1
21	52002950	铭牌	NAMEPLATE	1	1	1	1
22	52002960	铆钉	THE RIVET	2	2	2	2
23	52000003	车壳		0	0	1	1

2

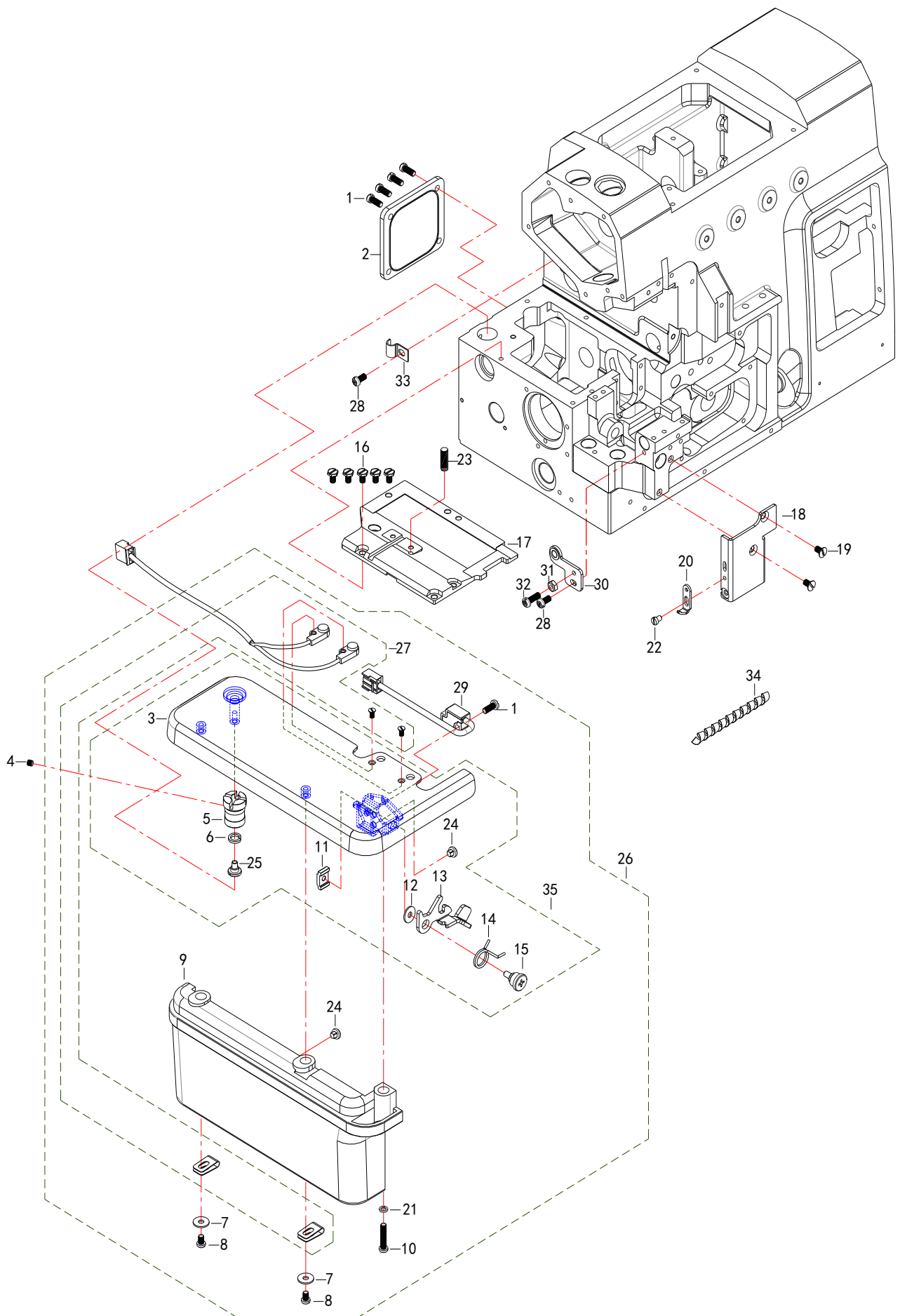
2. 机壳机罩部件 (1) /Cover (1)



2. 机壳机罩部件 (1) /Cover (1)

NO	零部件号	零部件名称	NAME OF PARTS	数量 (Number)			
				三线	四线	五线	六线
				three- thread	four- thread	five- thread	six- thread
1	52094410	十字盘头螺钉M4X10	PHILLIPS PAN HEAD SCREW M4X10	7	7	7	7
2	52001990	侧盖	SIDE COVER	1	1	1	1
3	52003790	段螺钉M4	SEGMENT SCREW M4	1	1	1	1
4	52003730	波形弹性垫圈6	WAVE ELASTIC WASHER 6	2	2	2	2
5	52002000	剪线开关扳手	TRIMMING SWITCH WRENCH	1	1	1	1
6	52002010	针杆防护罩	NEEDLE BAR GUARD	1	1	1	1
7	52007260	平垫圈3	FLAT WASHER 3	2	2	2	2
8	52093906	一字平头螺钉M3X6 (发黑)	FLAT HEAD SCREW M3X6 (BLACK)	2	2	2	2
9	52002440	上盖	COVER	1	1	1	1
10	52002470	油封	OIL SEAL	1	1	1	1
11	52002460	油镜	OIL MIRROR	1	1	1	1
12	52094412	十字盘头螺钉M4X12	CROSS PAN HEAD SCREW M4X12	8	8	8	8
13	52004060	上钩针盖板	UPPER CROCHET COVER	1	1	1	1
14	52003950	前罩板卡簧	FRONT COVER PLATE SPRING	1	1	1	1
15	52000540	油窗垫	OIL WINDOW GASKET	1	1	1	1
16	52094406	十字盘头螺钉M4X6 (发黑)	CROSS PAN HEAD SCREW M4X6 (BLACK)	4	4	4	4
17	52002650	锁紧板	LOCKING PLATE	1	1	1	1
18	52093103	内六角平端紧定螺钉M3X3	HEXAGON SOCKET FLAT END SET SCREW	1	1	1	1
19	52093112	内六角平端紧定螺钉M3X12	HEXAGON SOCKET FLAT END SET SCREW	1	1	1	1
20	52002640	锁紧板	LOCKING PLATE	1	1	1	1
21	52002660	左前盖 (3/4线)	LEFT FRONT COVER (3/4 WIRE)	1	1	0	0
22	52002661	左前盖 (5线)	LEFT FRONT COVER (5 WIRES)	0	0	1	1
23	52002630	铰链销	HINGE PIN	1	1	1	1
24	52093905	一字平头螺钉M3X5 (发黑)	FLAT HEAD SCREW M3X5 (BLACK)	1	1	1	1
25	00804040	内紧定螺钉M4X4	SET SCREW M4X4	2	2	2	2
26	52002620	铰链销弹簧	HINGE PIN SPRING	1	1	1	1
27	52002670	铰链	HINGE	1	1	1	1
28	52000420	右前盖	RIGHT FRONT COVER	1	1	1	1
29	52002030	剪线开关组件	THREAD TRIMMER SWITCH ASSEMBLY	1	1	1	1
30	XXXXXXXX	操作面板组件	OPERATOR PANEL COMPONENTS	1	1	1	1
31	XXXXXXXX	控制器一体	INTEGRATED CONTROLLER	1	1	1	1
32	XXXXXXXX	穿线图	THREADING DIAGRAM	1	1	1	1
33	52003890	密封垫		1	1	1	1
34	52010020	左前盖组件 (3/4线)	LEFT FRONT COVER ASSEMBLY (3/4 WIRE)	1	1	0	0
35	52010021	左前盖组件 (5线)	LEFT FRONT COVER ASSEMBLY (5 WIRES)	0	0	1	1
36	52094416	十字盘头螺钉M4X16	CROSS PAN HEAD SCREW M4X16	2	2	2	2
37	52095245	内六角螺栓M5X45 (发黑)	HEXAGON SOCKET HEAD BOLT M5X45 (BLACK)	4	4	4	4
38	00804080	内紧定螺钉M4X8	SET SCREW M4X8	2	2	2	2
39	52002050	金属发泡垫片	METAL FOAM GASKET	1	1	1	1
40	52010380	上盖组	COVER GROUP	1	1	1	1
41	52002200	后盖	BACK COVER	1	1	1	1
42	52002090	标贴	STICKERS	1	1	1	1
43	52007500	标牌	SIGNAGE	1	1	1	1
44	52007510	标牌	SIGNAGE	1	1	1	1
45	52002450	过线片	OVER THE WIRE	1	1	1	1
46	52002110	操作注意标签	HANDLING ATTENTION LABELS	1	1	1	1
47	15200170	警告标示(三角形)	WARNING SIGN (TRIANGLE)	1	1	1	1
48	52002120	操作注意标签	HANDLING ATTENTION LABELS	1	1	1	1
49	52002100	保养标签	CARE LABEL	1	1	1	1
50	52010010	针杆防护罩组件	NEEDLE BAR GUARD ASSEMBLY	1	1	1	1
51	52004230	油封	OIL SEAL	1	1	1	1
52	52010490	上钩针盖板组件	UPPER CROCHET COVER ASSEMBLY	1	1	1	1
53	52094408	十字盘头螺钉M4X8 (发黑)	CROSS PAN HEAD SCREW M4X8 (BLACK)	2	2	2	2
54	52007530	平垫圈6		4	4	4	4
55	52094916	一字平头螺钉M4X16 (发黑)		4	4	4	4

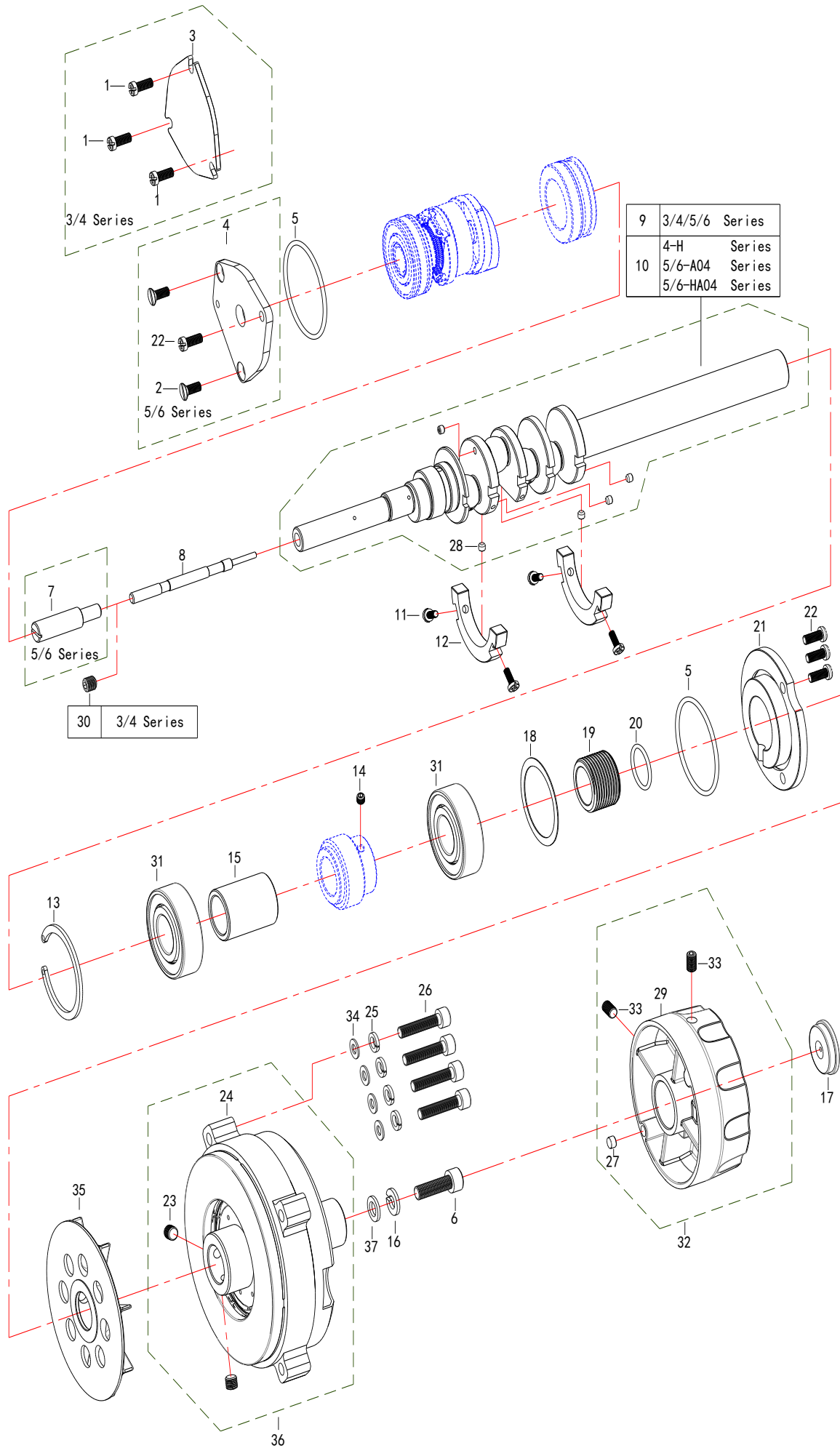
3. 机壳机罩部件 (2) /Cover (2)



3. 机壳机罩部件 (2) /Cover (2)

NO	零部件号	零部件名称	NAME OF PARTS	数量 (Number)			
				三线	四线	五线	六线
				three- thread	four- thread	five- thread	six- thread
1	52094410	十字盘头螺钉M4X10 (发黑)	CROSS PAN HEAD SCREW M4X10 (BLACK)	5	5	5	5
2	52001470	后窗板	REAR WINDOW	1	1	1	1
3	52002310	布板盖	CLOTH COVER	1	1	1	1
4	00804040	内紧定螺钉M4X4	SET SCREW M4X4	1	1	1	1
5	52002340	衬套	BUSHING	1	1	1	1
6	52006990	弹簧垫圈6	SPRING WASHER 6	1	1	1	1
7	02000111	垫圈4. 3X12X1	WASHER 4. 3X12X1	2	2	2	2
8	52094406	十字盘头螺钉M4X6 (发黑)	CROSS PAN HEAD SCREW M4X6 (BLACK)	2	2	2	2
9	52002250	缝台裙子	SEWING TABLE SKIRT	1	1	1	1
10	52094420	十字盘头螺钉M4X20 (发黑)	CROSS PAN HEAD SCREW M4X20 (BLACK)	1	1	1	1
11	52002270	缝台卡簧固定板	SEWING TABLE CIRCLIP FIXING PLATE	1	1	1	1
12	00504111	垫圈黑色M4	WASHER BLACK M4	1	1	1	1
13	52002300	缝台簧	SLIT TABLE SPRING	1	1	1	1
14	52005000	扭簧	TORSION SPRING	1	1	1	1
15	52002290	段螺钉	SEGMENT SCREW	1	1	1	1
16	52094308	开槽外六角螺栓M4X8 (发黑)	SLOTTED HEXAGON BOLTS M4X8 (BLACK)	5	5	5	5
17	52001690	左上盖	UPPER LEFT COVER	1	1	1	1
18	52001380	挡板	BAFFLE	1	1	1	1
19	52094007	一字半沉头螺钉M4X7.5	SLOTTED HALF COUNTERSUNK HEAD SCREW	2	2	2	2
20	52004290	下刀座前垫护板	LOWER KNIFE SEAT FRONT PAD GUARD	1	1	1	1
21	00604001	弹簧垫圈M4	SPRING WASHER M4	1	1	1	1
22	52092904	一字平头螺钉M3.5X4 (发黑)	FLAT HEAD SCREW M3.5X4 (BLACK)	1	1	1	1
23	52004200	油线	OIL LINE	0.015m	0.015m	0.015m	0.015m
24	52004210	减震垫	CUSHION	2	2	2	2
25	52004010	轴位螺钉	AXIAL SCREW	1	1	1	1
26	52010030	缝台组件	SEWING TABLE COMPONENTS	1	1	1	1
27	52007280	光眼接收装置	OPTICAL EYE RECEIVER	1	1	1	1
28	52094408	十字盘头螺钉M4X8 (发黑)	CROSS PAN HEAD SCREW M4X8 (BLACK)	2	2	2	2
29	52002240	缝台安全开关	SEWING TABLE SAFETY SWITCH	1	1	1	1
30	52001260	挡板	BAFFLE	1	1	1	1
31	00404031	螺母黑色M4	NUT BLACK M4	1	1	1	1
32	52094412	十字盘头螺钉M4X12 (发黑)	CROSS PAN HEAD SCREW M4X12 (BLACK)	1	1	1	1
33	52005640	线夹	WIRE CLIP	1	1	1	1
34	52007370	缠绕管 (透明) Φ8	WINDING TUBE (TRANSPARENT) Φ8	0.11m	0.11m	0.11m	0.11m
35	52110060	布板盖组件	CLOTH COVER ASSEMBLY	1	1	1	1

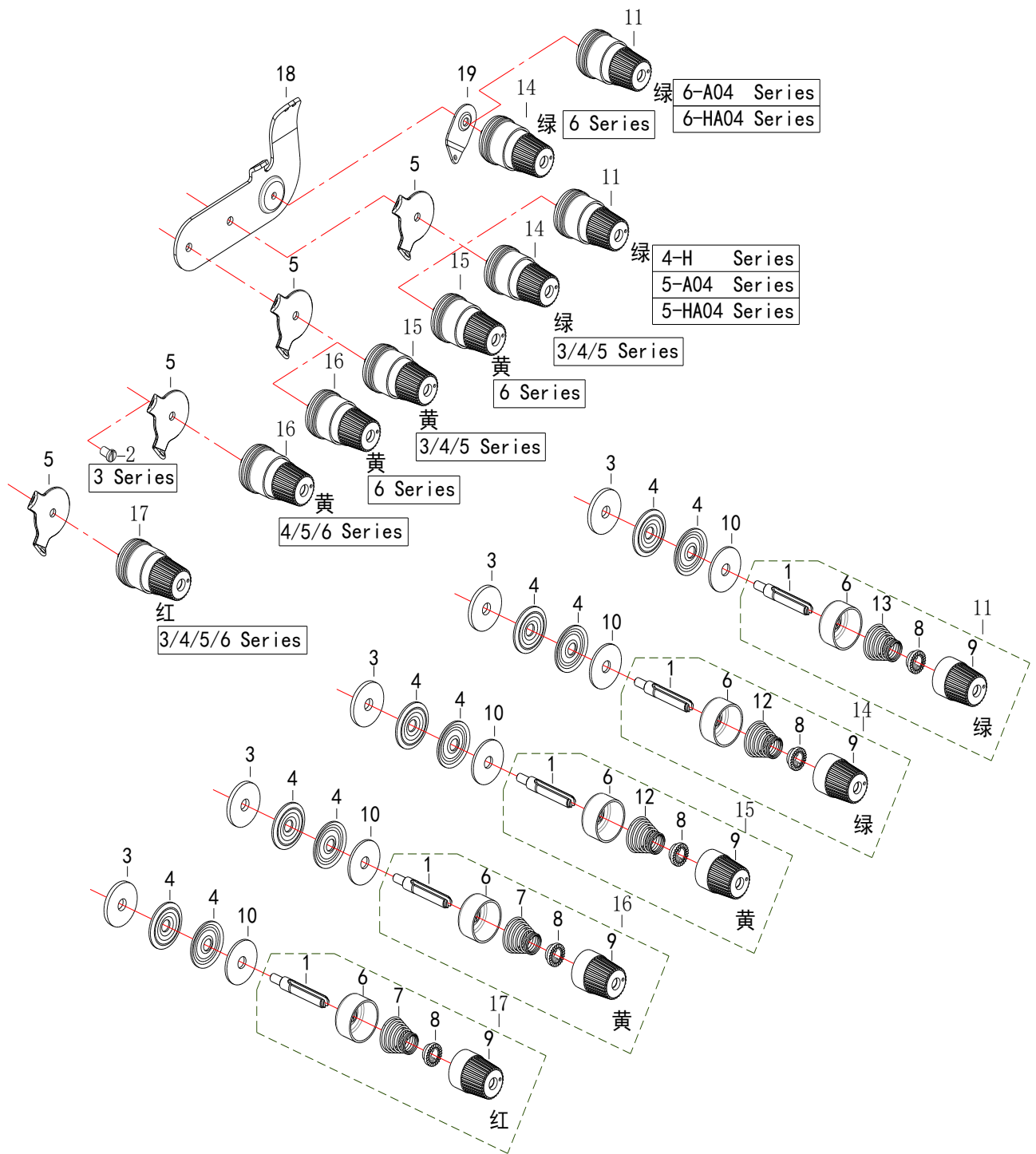
4. 主轴部件/Crankshaft Drive Mechanism



4. 主轴部件/Crankshaft Drive Mechanism

NO	零部件号	零部件名称	NAME OF PARTS	数量 (Number)			
				三线	四线	五线	六线
				three- thread	four- thread	five- thread	six- thread
1	52094408	十字盘头螺钉M4X8 (发黑)	CROSS FLAT HEAD SCREW M4X8 (BLACK)	3	3	0	0
2	52094508	一字沉头螺钉M4X8 (发黑)	SLOTTED COUNTERSUNK HEAD SCREW M4X8 (BLACK)	0	0	2	2
3	52001530	前轴承盖 (3/4线)	FRONT BEARING CAP (3/4 WIRE)	1	1	0	0
4	52001531	前轴承盖 (5线)	FRONT BEARING CAP (5 WIRES)	0	0	1	1
5	52000470	O型圈40x2	O-RING 40X2	2	2	2	2
6	52096230	内六角螺栓M6X30 (发黑)	HEXAGON SOCKET HEAD BOLT M6X30 (BLACK)	1	1	1	1
7	52000490	销	PIN	0	0	1	1
8	52003070	销	PIN	1	1	1	1
9	52000010	主轴	SPINDLE	1	1	1	1
10	52000011	主轴	SPINDLE	0	1	1	1
11	52093808	十字平头螺钉M3X8 (发黑)	CROSS FLAT HEAD SCREW M3X8 (BLACK)	4	4	4	4
12	52000480	平衡块	BALANCE BLOCK	2	2	2	2
13	52004180	卡簧	CIRCLIP	1	1	1	1
14	00805041	内紧定螺钉 (黑色) M5X4	SET SCREW (BLACK) M5X4	1	1	1	1
15	52000390	主轴套	SPINDLE SLEEVE	1	1	1	1
16	52006990	弹簧垫圈6	SPRING WASHER 6	1	1	1	1
17	52004320	橡胶塞	RUBBER STOPPER	1	1	1	1
18	52000460	波垫	WAVE PAD	1	1	1	1
19	52000430	主轴套	SPINDLE SLEEVE	1	1	1	1
20	52000440	O型密封圈	O-RING	1	1	1	1
21	52000450	右盖	RIGHT COVER	1	1	1	1
22	52094410	十字盘头螺钉M4X10 (发黑)	CROSS PAN HEAD SCREW M4X10 (BLACK)	3	3	4	4
23	00806050	内紧定螺钉M6X5	SET SCREW M6X5	2	2	2	2
24	52002360	电机	MOTOR	1	1	1	1
25	10425640	弹簧垫圈5	SPRING WASHER 5	4	4	4	4
26	52095225	内六角螺栓M5X25 (发黑)	HEXAGON SOCKET HEAD BOLT M5X25 (BLACK)	4	4	4	4
27	52006860	磁铁	MAGNET	1	1	1	1
28	52092103	内六角平端紧定螺钉M3.5X3	HEXAGON SOCKET FLAT END SET SCREW M3.5X3	5	5	5	5
29	52004460	手轮	HANDWHEEL	1	1	1	1
30	52096108	内六角平端紧定螺钉M6X8 (发黑)	SET SCREW M6X8 (BLACK)	1	1	0	0
31	52005150	轴承	BEARING	2	2	2	2
32	52010370	手轮组	HAND WHEEL SET	1	1	1	1
33	00805081	内紧定螺钉 (黑色) M5X8	SET SCREW (BLACK) M5X8	2	2	2	2
34	02000107	平垫圈M5	FLAT WASHER M5	4	4	4	4
35	52002190	散热风扇	COOLING FAN	1	1	1	1
36	52110080	电机组	MOTOR UNIT	1	1	1	1
37	00506190	垫圈6.1X11X2	WASHER 6.1X11X2	1	1	1	1

5. 夹线部件/Thread Tension Mechanism

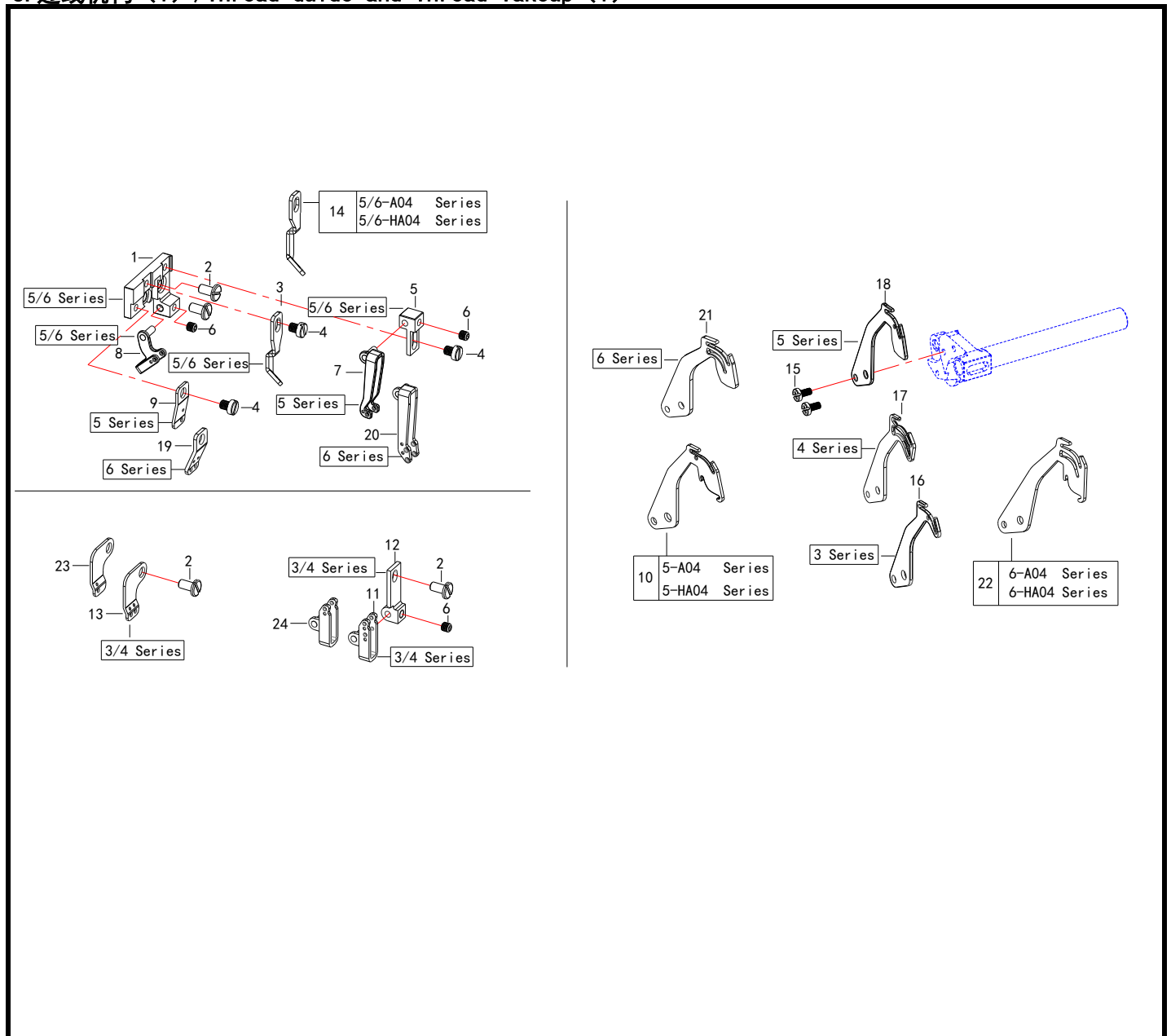


5. 夹线部件/Thread Tension Mechanism

NO	零部件号	零部件名称	NAME OF PARTS	数量 (Number)			
				三线	四线	五线	六线
				three-thread	four-thread	five-thread	six-thread
1	52002540	夹线杆	CLAMPING ROD	3	4	4	5
2	52003300	一字平头螺钉SM11/64(40)	FLAT HEAD SCREW SM11/64(40) (BLACK)	1	0	0	0
3	52002550	羊毛垫	WOOL PAD	3	4	4	5
4	52002560	夹线片	WIRE CLIP	6	8	8	10
5	52002600	过线片	OVER THE WIRE	3	4	4	4
6	52002570	调压止动盖	PRESSURE REGULATING STOP COVER	3	4	4	5
7	52002580	压簧	COMPRESSION SPRING	1	2	2	3
8	52002590	调压止动套	PRESSURE REGULATING STOP SLEEVE	3	4	4	5
9	52005320	夹线器螺母	WIRE GRIP NUT	3	4	4	5
10	52003060	羊毛垫	WOOL PAD	3	4	4	5
11	52005025	夹线组件 (绿)	WIRE CLIP ASSEMBLY (GREEN)	0	1	1	1
12	52004840	压簧 (细)	COMPRESSION SPRING (THIN)	2	2	2	3
13	52002080	压簧	COMPRESSION SPRING	0	2	2	2
14	52005020	夹线组件 (绿)	WIRE CLIP ASSEMBLY (GREEN)	1	1	1	1
15	52005021	夹线组件 (黄)	WIRE CLIP ASSEMBLY (YELLOW)	1	1	1	1
16	52005023	夹线组件 (黄)	WIRE CLIP ASSEMBLY (YELLOW)	0	1	1	2
17	52005024	夹线组件 (红)	WIRE CLIP ASSEMBLY (RED)	1	1	1	1
18	52007480	过线板	CABLE BOARD	0	0	0	1
19	52007470	前过线板	FRONT LINE BOARD	0	0	0	1

10

6. 过线机构 (1) /Thread Guide and Thread Takeup (1)

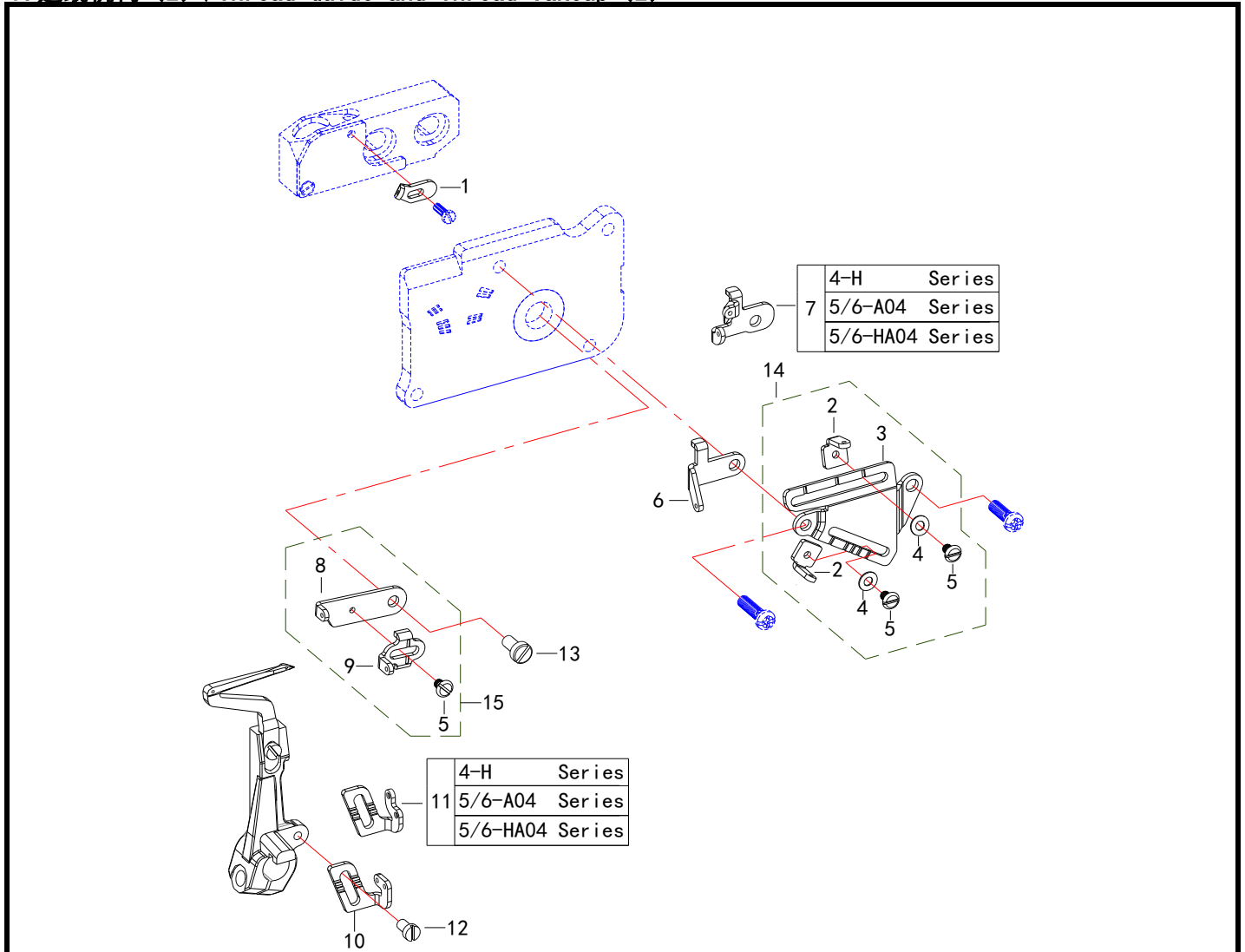


6. 过线机构 (1) /Thread Guide and Thread Takeup (1)

NO	零部件号	零部件名称	NAME OF PARTS	数量 (Number)			
				三线	四线	五线	六线
				three-thread	four-thread	five-thread	six-thread
1	52001700	支架 (5线)	BRACKET (5 WIRES)	0	0	1	1
2	52094908	一字平头螺钉M4X8 (发黑)	FLAT HEAD SCREW M4X8 (BLACK)	2	2	2	2
3	52001750	线道 (5线)	LINE (5 LINES)	0	0	1	1
4	52094805	一字平头螺钉M4X5 (发黑)	FLAT HEAD SCREW M4X5 (BLACK)	0	0	3	3
5	52005041	托架 (5线)	BRACKET (5 WIRES)	0	0	1	1
6	00804040	内紧定螺钉M4X4	SET SCREW M4X4	1	1	2	2
7	52001720	过线片 (5线)	OVER-THE-WIRE SHEET (5 WIRES)	0	0	1	0
8	52001710	过线片 (5线)	OVER-THE-WIRE SHEET (5 WIRES)	0	0	1	1
9	52001732	过线板 (5线)	OVER-THE-WIRE BOARD (5 WIRES)	0	0	1	0
10	52001033	挑线杆 (5线)	THREAD TAKE-UP LEVER (5 THREADS)	0	0	1	0
11	52005031	过线 (4线)	OVER THE LINE (4 LINES)	0	1	0	0
12	52005040	托架 (3/4线)	BRACKET (3/4 WIRE)	1	1	0	0
13	52001731	过线板 (4线)	OVER-THE-WIRE BOARD (4-WIRE)	0	1	0	0
14	52001751	线道 (5线厚料)	LINE PATH (5 LINES THICK MATERIAL)	0	0	1	1
15	52093806	十字平头螺钉M3X6 (发黑)	CROSS FLAT HEAD SCREW M3X6 (BLACK)	2	2	2	2
16	52001030	挑线杆 (3线)	THREAD TAKE-UP LEVER (3 THREADS)	1	0	0	0
17	52001031	挑线杆 (4线)	THREAD TAKE-UP LEVER (4 THREADS)	0	1	0	0
18	52001032	挑线杆 (5线)	THREAD TAKE-UP LEVER (5 THREADS)	0	0	1	0
19	52001734	过线板 (6线)	OVER-THE-WIRE BOARD (6 WIRES)	0	0	0	1
20	52001721	过线片 (6线)	OVER-THE-WIRE SHEET (6 WIRES)	0	0	0	1
21	52001034	挑线杆 (6线)	THREAD TAKE-UP LEVER (6 THREADS)	0	0	0	1
22	52001035	挑线杆 (6线)	THREAD TAKE-UP LEVER (6 THREADS)	0	0	0	1
23	52001730	过线板 (3线)	OVER-THE-WIRE BOARD (3 WIRE)	1	0	0	0
24	52005030	过线 (3线)	OVER THE LINE (3 WIRE)	1	0	0	0

12

7. 过线机构 (2) /Thread Guide and Thread Takeup (2)



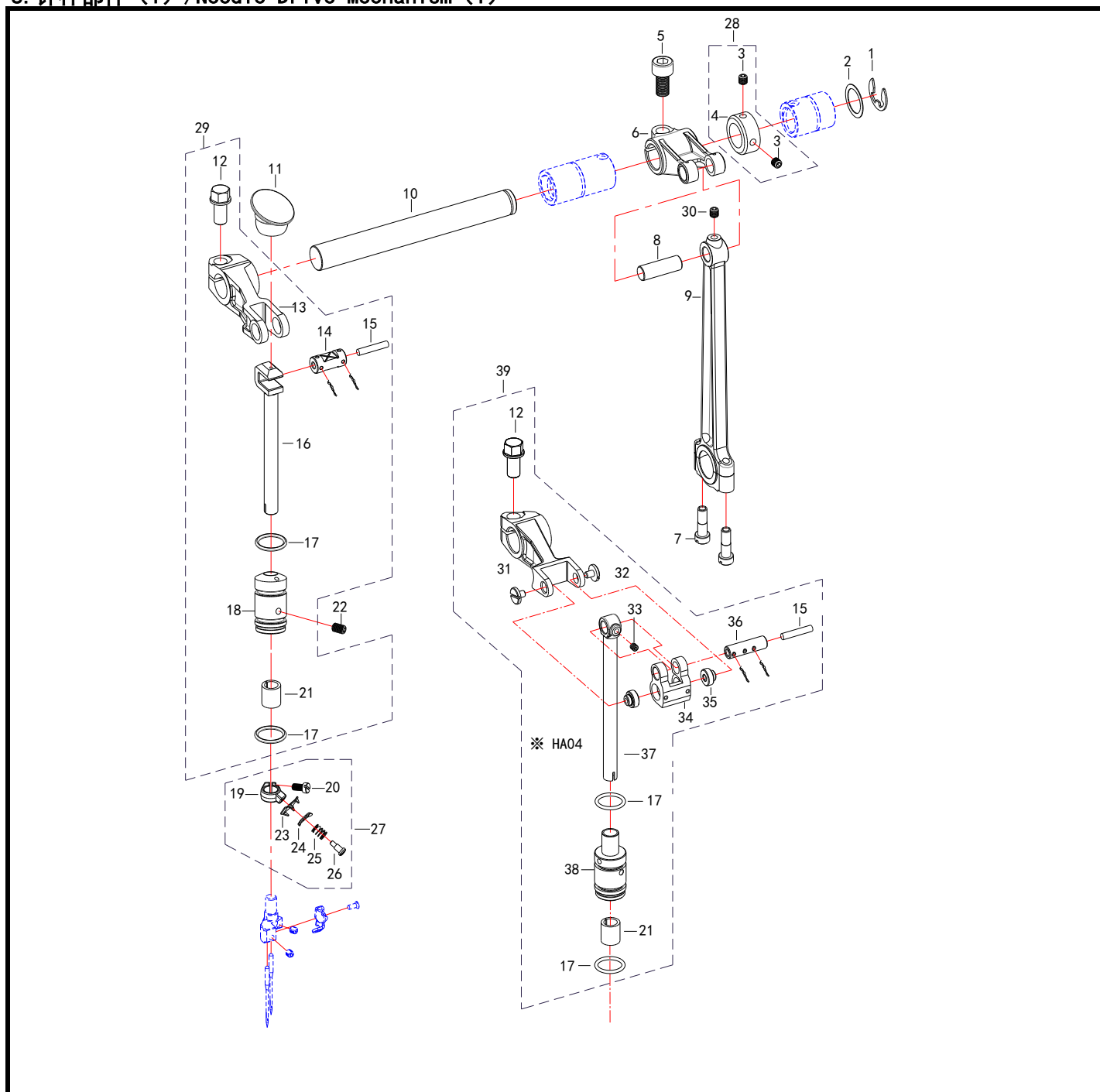
13

7. 过线机构 (2) / Thread Guide and Thread Takeup (2)

NO	零部件号	零部件名称	NAME OF PARTS	数量 (Number)			
				三线	四线	五线	六线
				three-thread	four-thread	five-thread	six-thread
1	52003940	上钩针座过线片	UPPER CROCHET SEAT THREAD GUIDE	1	1	1	1
2	52001981	线道	LINE	2	2	2	2
3	52001960	支架	BRACKET	1	1	1	1
4	52007220	平垫圈	FLAT WASHERS	2	2	2	2
5	52007420	一字平头螺钉SM1-8(44) (发黑)	FLAT HEAD SCREW SM1-8(44) (BLACK)	3	3	3	3
6	52001970	线道 (3/4/5线)	THREAD PATH (3/4/5 THREAD)	1	1	1	1
7	52001971	线道	LINE	0	1	1	1
8	52000951	线道调节片	THREAD ADJUSTMENT SHEET	1	1	1	1
9	52000940	线道	LINE	1	1	1	1
10	52003920	挑线架	THREAD TAKE-UP STAND	1	1	1	1
11	52003921	挑线架	THREAD TAKE-UP STAND	0	1	1	1
12	52092906	一字平头螺钉M3.5X6 (发黑)	FLAT HEAD SCREW M3.5X6 (BLACK)	1	1	1	1
13	52094928	一字平头螺钉M4X8 (发黑)	FLAT HEAD SCREW M4X8 (BLACK)	1	1	1	1
14	52110290	过线组件	OVER-THE-WIRE COMPONENTS	1	1	1	1
15	52110300	过线组件	OVER-THE-WIRE COMPONENTS	1	1	1	1

14

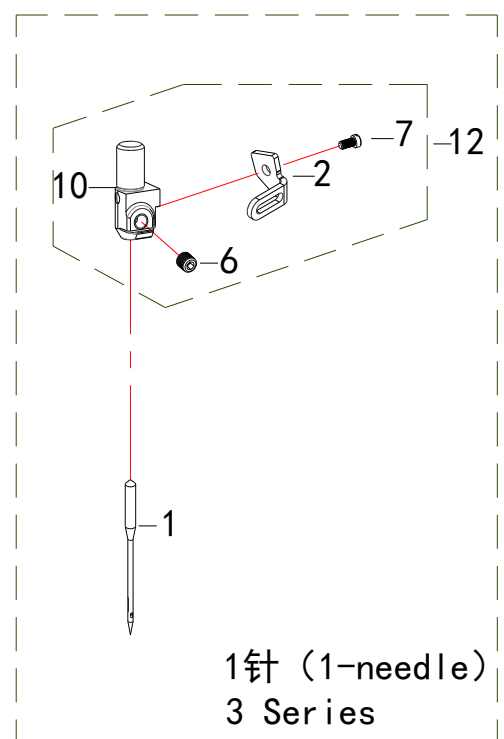
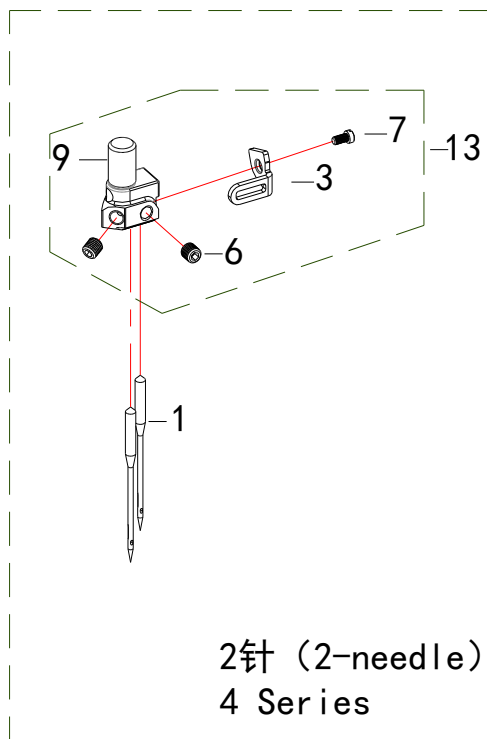
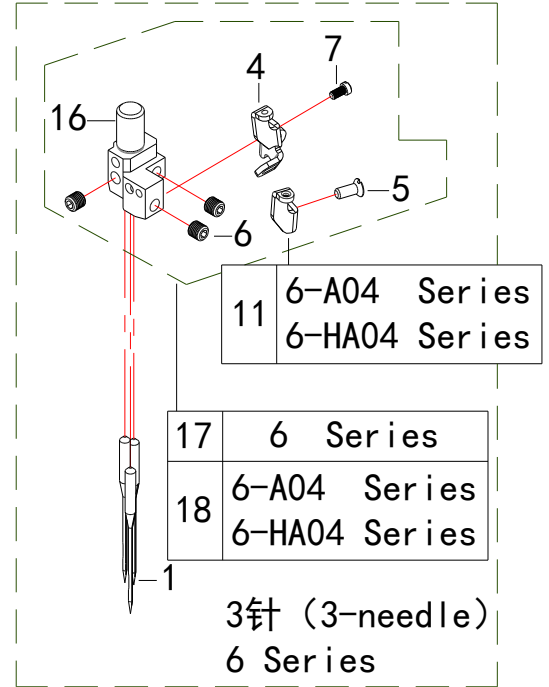
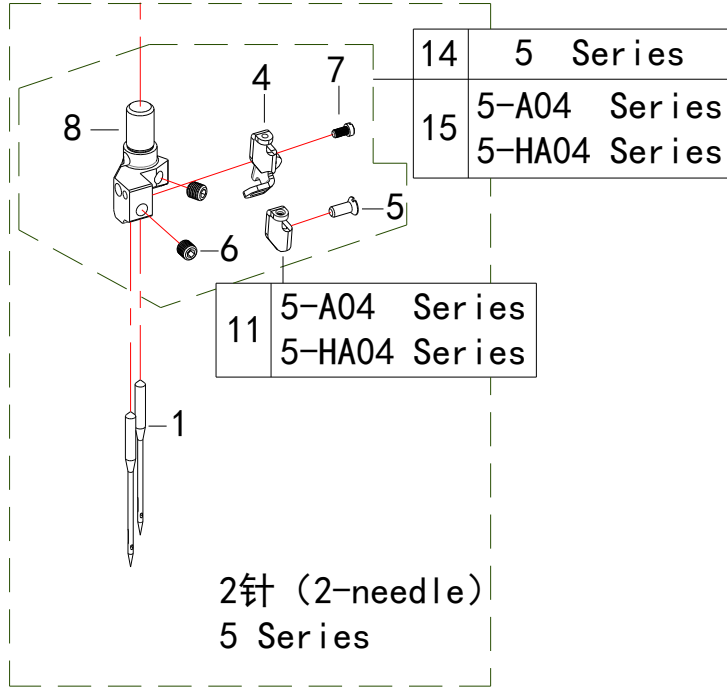
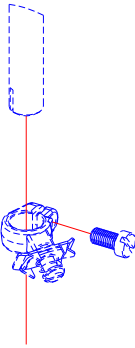
8. 针杆部件 (1) / Needle Drive Mechanism (1)



8. 针杆部件 (1) / Needle Drive Mechanism (1)

NO	零部件号	零部件名称	NAME OF PARTS	数量 (Number)			
				三线	四线	五线	六线
				three- thread	four- thread	five- thread	six- thread
1	00201080	挡圈 E8	RETAINING RING E8	1	1	1	1
2	52003770	平垫片	FLAT GASKET	1	1	1	1
3	00804040	内紧定螺钉M4X4	SET SCREW M4X4	2	2	2	2
4	52004450	上轴挡圈	UPPER SHAFT RETAINING RING	1	1	1	1
5	52097212	内六角螺栓M6X12X0.75	HEXAGON SOCKET HEAD BOLT M6X12X0.75	1	1	1	1
6	52001070	针棒曲柄	NEEDLE BAR CRANK	1	1	1	1
7	52006780	一字平头螺钉SM11-64(40)	CROSS FLAT HEAD SCREW SM11-64(40)	2	2	2	2
8	52004190	曲柄销	CRANK PIN	1	1	1	1
9	52001060	针杆连杆	NEEDLE BAR LINK	1	1	1	1
10	52001050	上轴	UPPER SHAFT	1	1	1	1
11	52003160	油封	OIL SEAL	1	1	1	1
12	52097312	六角法兰面螺栓M6X12X0.75	HEXAGON FLANGE BOLTS M6X12X0.75	1	1	1	1
13	52001080	针棒曲柄	NEEDLE BAR CRANK	1	1	1	1
14	52004030	针杆曲柄销	NEEDLE BAR CRANK PIN	1	1	1	1
15	52004200	油线	OIL LINE	0.033m	0.033m	0.033m	0.033m
16	52001100	针杆	NEEDLE BAR	1	1	1	1
17	52002170	O型圈 ϕ 12x1.5	O-RING ϕ 12X1.5	2	2	2	2
18	52004410	针杆套	NEEDLE BAR COVER	1	1	1	1
19	52004890	挡圈	RETAINING RING	1	1	1	1
20	52093907	一字小平头螺钉M3X6(发黑)	FLAT HEAD SCREW M3X6 (BLACK)	1	1	1	1
21	52005170	针杆毛毡	NEEDLE BAR FELT	1	1	1	1
22	52094105	内六角锥端紧定螺钉M4X5	HEXAGON SOCKET HEAD SET SCREW M4X5	1	1	1	1
23	52004690	托架	BRACKET	1	1	1	1
24	52004700	压线板	CLAMPING PLATE	1	1	1	1
25	52005100	压簧	COMPRESSION SPRING	1	1	1	1
26	52004710	段螺钉	SEGMENT SCREW	1	1	1	1
27	52010310	挡圈组件	RETAINING RING ASSEMBLY	1	1	1	1
28	52010450	上轴挡圈组件	UPPER SHAFT RETAINING RING ASSEMBLY	1	1	1	1
29	52110070	针杆组件	NEEDLE BAR ASSEMBLY	1	1	1	1
30	00804061	内紧定螺钉(黑色)M4X6	SET SCREW (BLACK) M4X6	1	1	1	1
31	52020010	针棒曲柄		0	0	1	1
32	52093924	一字平头螺钉M3X4(发黑)		0	0	2	2
33	52093104	内六角锥端紧定螺钉M3X4		0	0	1	1
34	52020020	曲柄		0	0	1	1
35	52020040	销		0	0	2	2
36	52020060	曲柄销		0	0	1	1
37	52020050	针杆		0	0	1	1
38	52030030	针杆套		0	0	1	1
39	52110075	针杆组件		0	0	1	1

9. 针杆部件 (2) / Needle Drive Mechanism (2)

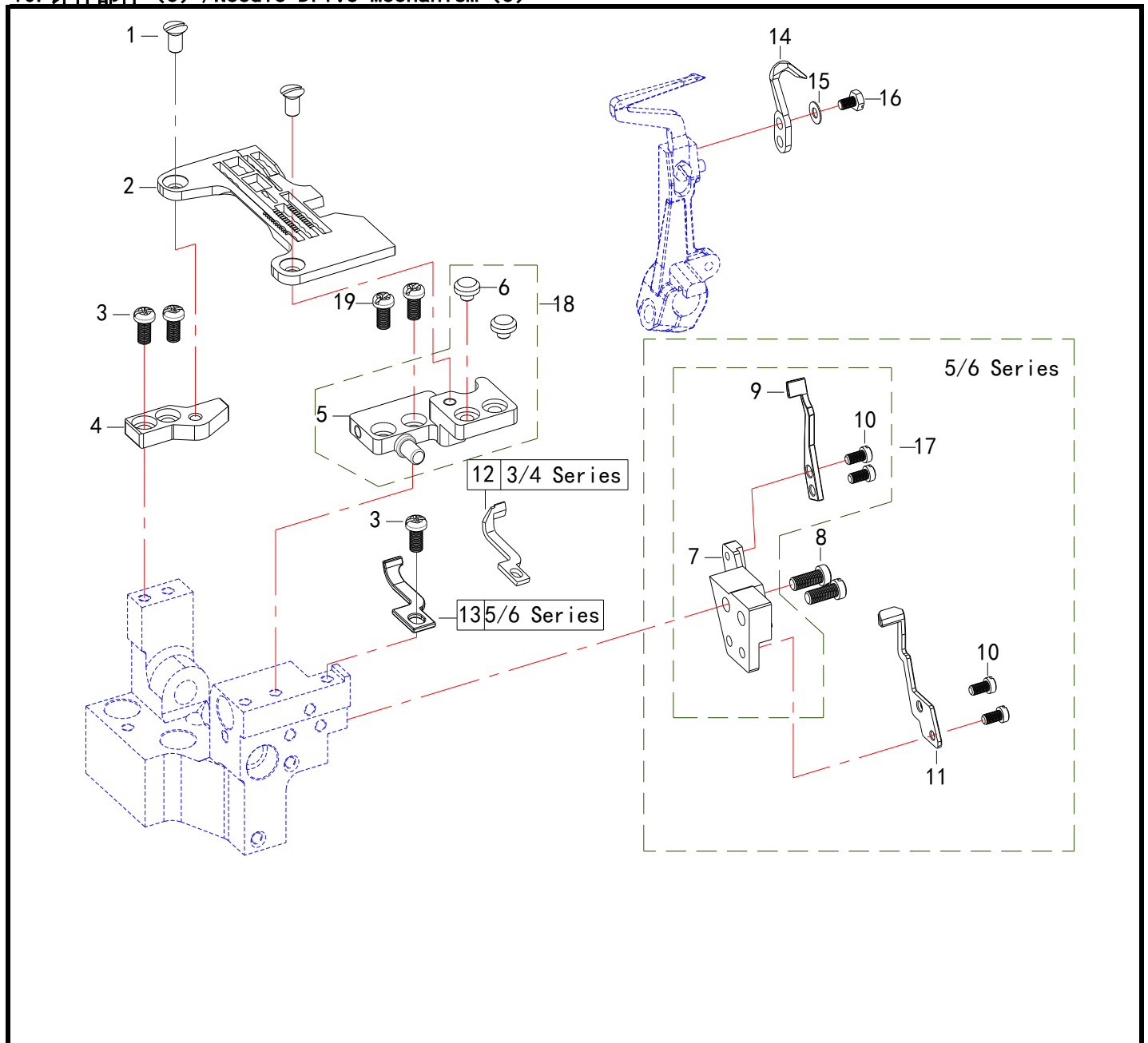


9. 针杆部件 (2) /Needle Drive Mechanism (2)

NO	零部件号	零部件名称	NAME OF PARTS	数量 (Number)			
				三线	四线	五线	六线
				three-thread	four-thread	five-thread	six-thread
1	XXXXXXX	机针	NEEDLE	1	2	2	3
2	52005160	过线 (3线)	OVER THE LINE (3 LINES)	1	0	0	0
3	52005161	过线 (4线)	OVER THE LINE (4 LINES)	0	1	0	0
4	52005162	过线 (5线)	OVER THE LINE (5 LINES)	0	0	1	1
5	52090504	一字沉头螺钉M2X4 (发黑)	SLOTTED COUNTERSUNK HEAD SCREW M2X4 (BLACK)	0	0	1	1
6	52093103	内六角平端紧定螺钉M3X3	HEXAGON SOCKET FLAT END SET SCREW	1	2	2	3
7	52090903	一字平头螺钉M2X3(发黑)	FLAT HEAD SCREW M2X3 (BLACK)	1	1	1	1
8	XXXXXXX	针留 (5线)	NEEDLE STAY (5 THREADS)	0	0	1	0
9	52001390	针留 (24)	NEEDLE STAY (24)	0	1	0	0
10	52000890	针留 (04)	NEEDLE STAY (04)	1	0	0	0
11	52005163	过线 (5线厚料)	OVER THE WIRE (5 WIRE THICK MATER)	0	0	1	1
12	52010050	三线针留组件	THREE-LINE NEEDLE RETAINING COMPON	1	0	0	0
13	52010060	四线针留组件	FOUR-LINE NEEDLE RETAINING COMPONE	0	1	0	0
14	XXXXXXX	五线针留组件	FIVE-THREAD NEEDLE SPARE COMPONENT	0	0	1	0
15	52010080	五线针留组件 (厚料)	FIVE-THREAD NEEDLE RESERVE COMPONE	0	0	1	0
16	XXXXXXX	针留 (6线)	NEEDLE STAY (6 THREADS)	0	0	0	1
17	XXXXXXX	六线针留组件	SIX-THREAD NEEDLE RETAINING ASSEMB	0	0	0	1
18	52010752	六线针留组件 (厚料)	SIX-THREAD NEEDLE RETAINING ASSEMB	0	0	0	1

18

10. 针杆部件 (3) /Needle Drive Mechanism (3)

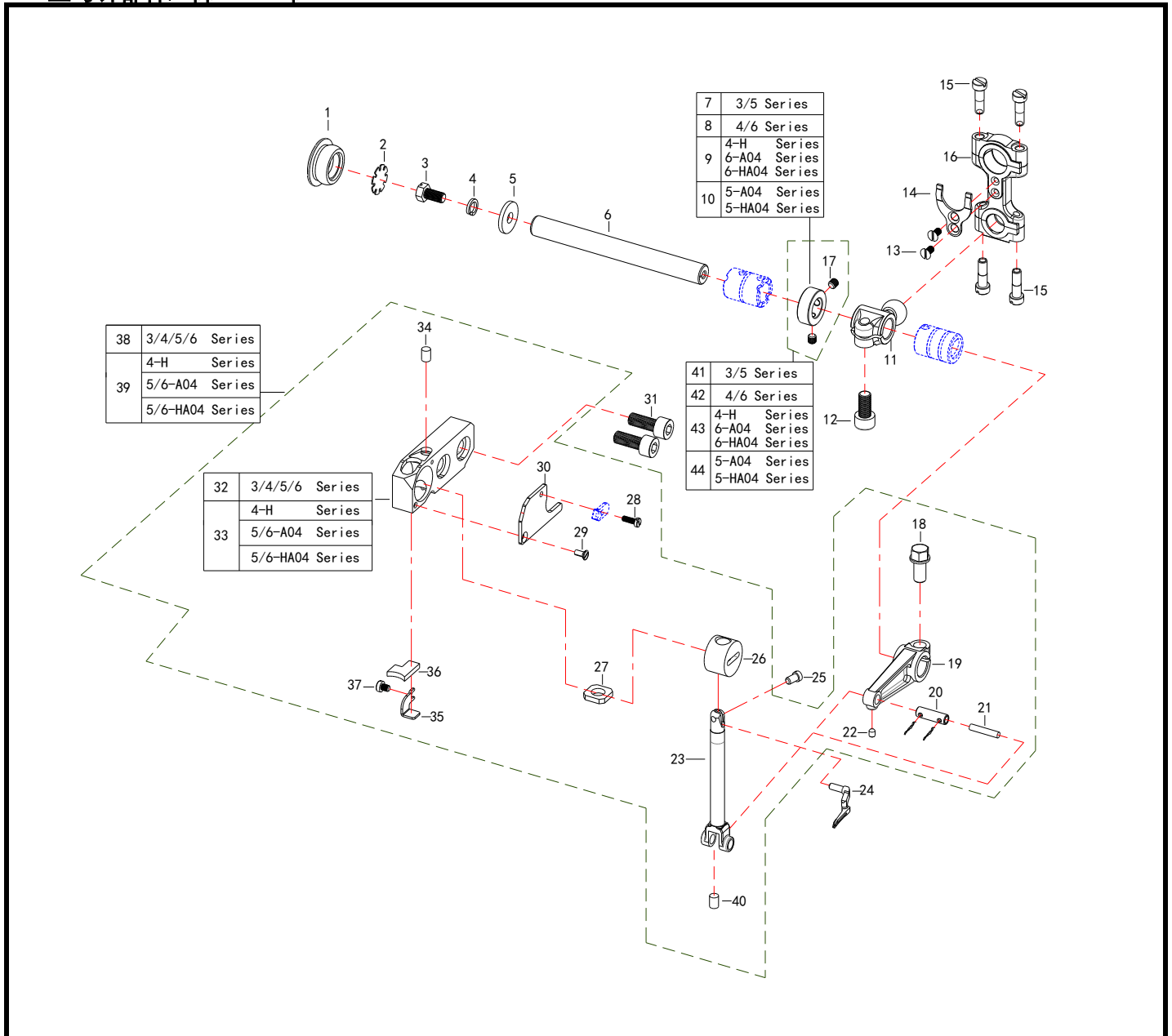


10. 针杆部件 (3) / Needle Drive Mechanism (3)

NO	零部件号	零部件名称	NAME OF PARTS	数量 (Number)			
				三线	四线	五线	六线
				three-thread	four-thread	five-thread	six-thread
1	52094007	一字半沉头螺钉M4X7.5	SLOTTED HALF COUNTERSUNK HEAD SCREW	2	2	2	2
2	XXXXXXX	针板	NEEDLE PLATE	1	1	1	1
3	52094408	十字盘头螺钉M4X8 (发黑)	CROSS PAN HEAD SCREW M4X8 (BLACK)	3	3	3	3
4	52001350	针板垫块(后)	NEEDLE PLATE SPACER (REAR)	1	1	1	1
5	52004960	针板垫块(前)	NEEDLE PLATE SPACER (FRONT)	1	1	1	1
6	52004210	减震垫	CUSHION	2	2	2	2
7	52001370	托架 (5线)	BRACKET (5 WIRES)	0	0	1	1
8	52094810	一字平头螺钉M4X10	FLAT HEAD SCREW M4X10	0	0	2	2
9	52001400	链弯针护针 (5线)	CHAIN LOOPER NEEDLE GUARD (5 THREA	0	0	1	1
10	52093906	一字平头螺钉M3X6(发黑)	FLAT HEAD SCREW M3X6 (BLACK)	0	0	4	4
11	52001290	机针护针(后)	NEEDLE GUARD (REAR)	0	0	1	1
12	52001300	机针护针(前) (3/4线)	NEEDLE GUARD (FRONT) (3/4 THREAD)	1	1	0	0
13	52001301	机针护针(前) (5线)	NEEDLE GUARD (FRONT) (5 THREADS)	0	0	1	1
14	52003910	弯针护针	BENT NEEDLE GUARD	1	1	1	1
15	52007260	平垫圈3	FLAT WASHER 3	1	1	1	1
16	52093305	开槽外六角螺栓M3X5	SLOTTED HEXAGON BOLTS M3X5	1	1	1	1
17	52010090	托架护针组件	BRACKET NEEDLE GUARD ASSEMBLY	0	0	1	1
18	52010400	针板垫块组件	NEEDLE PLATE SPACER ASSEMBLY	1	1	1	1
19	52094406	十字盘头螺钉M4X6 (发黑)	CROSS PAN HEAD SCREW M4X6 (BLACK)	2	2	2	2

20

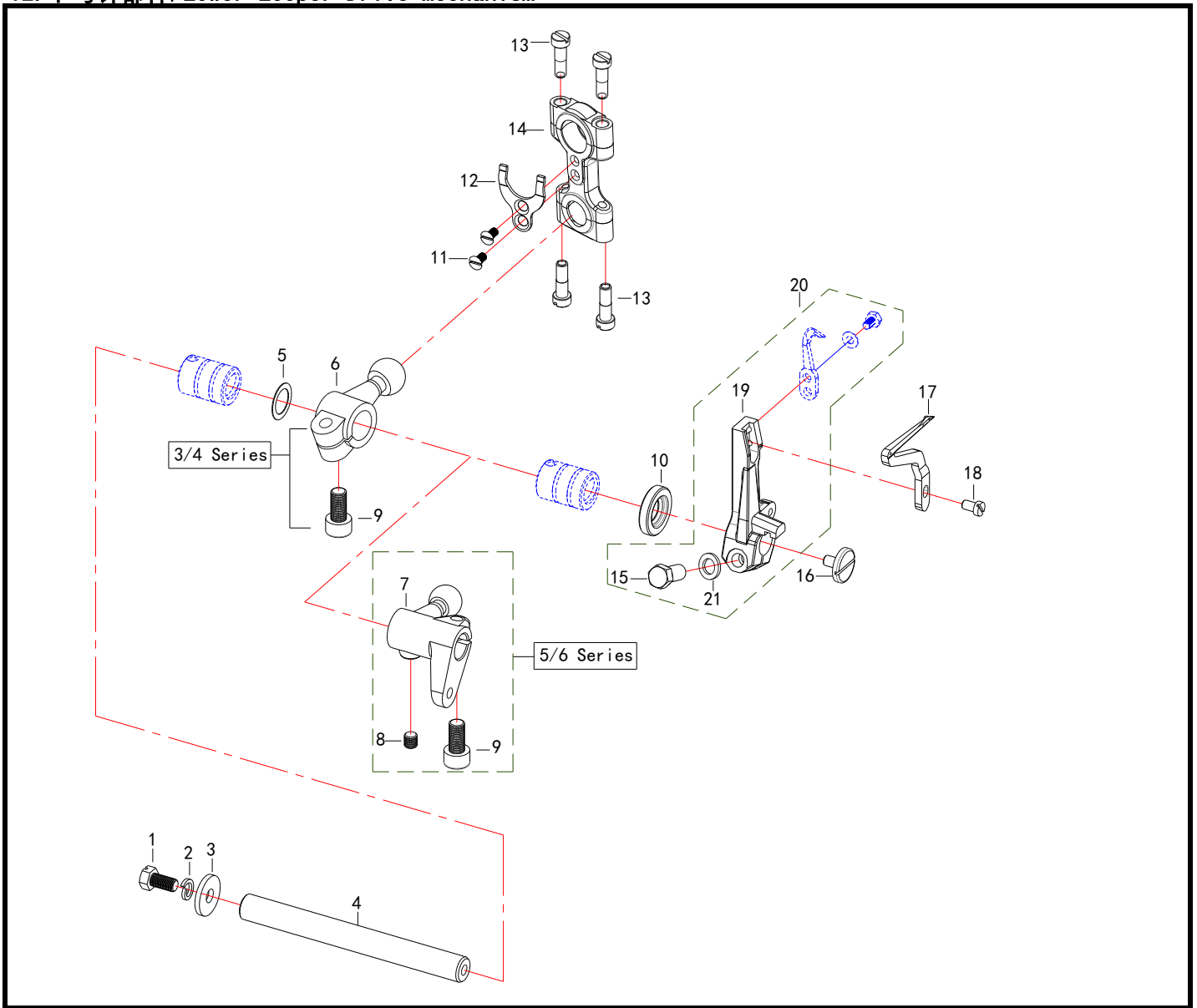
11. 上弯针部件/Upper Looper Drive Mechanism



11. 上弯针部件/Upper Looper Drive Mechanism

NO	零部件号	零部件名称	NAME OF PARTS	数量 (Number)			
				三线	四线	五线	六线
				three- thread	four- thread	five- thread	six- thread
1	52003150	排气油封	EXHAUST OIL SEAL	1	1	1	1
2	52003140	过滤片	FILTER	1	1	1	1
3	52095310	开槽外六角螺栓M5X10 (发黑)	SLOTTED HEXAGON BOLTS M5X10 (BLACK)	1	1	1	1
4	10425640	弹簧垫圈5	SPRING WASHER 5	1	1	1	1
5	52003710	平垫圈5	FLAT WASHER 5	1	1	1	1
6	52000900	下钩针轴	LOWER CROCHET SHAFT	1	1	1	1
7	52000930	衬套 (3/5线)	BUSHING (3/5 WIRE)	1	0	1	0
8	52000931	衬套 (4线)	BUSHING (4 WIRES)	0	1	0	1
9	52000932	衬套 (4线HM)	BUSHING (4-WIRE HM)	0	1	0	1
10	52000933	衬套 (5线A04)	BUSHING (5-WIRE A04)	0	0	1	0
11	52000921	上钩针曲轴	UPPER CROCHET CRANKSHAFT	1	1	1	1
12	52097212	内六角螺栓M6X12X0.75 (发黑)	HEXAGON SOCKET HEAD BOLT M6X12X0.75 (BLACK)	1	1	1	1
13	52093506	一字沉头螺钉M3X6 (发黑)	SLOTTED COUNTERSUNK HEAD SCREW M3X6 (BLACK)	2	2	2	2
14	52000910	连杆垫片	CONNECTING ROD GASKET	1	1	1	1
15	52006780	一字平头螺钉SM11-64 (40) 发黑	CROSS FLAT HEAD SCREW SM11-64 (40) (BLACK)	4	4	4	4
16	52000860	弯针连杆 (铝)	LOOPER CONNECTING ROD (ALUMINUM)	1	1	1	1
17	00804040	内紧定螺钉M4X4	SET SCREW M4X4	2	2	2	2
18	52097312	六角法兰面螺栓M6X12X0.75 (发黑)	HEXAGON FLANGE BOLTS M6X12X0.75 (BLACK)	1	1	1	1
19	52001160	上钩针曲柄	UPPER CROCHET CRANK	1	1	1	1
20	52003990	曲柄销	CRANK PIN	1	1	1	1
21	52004200	油线	OIL LINE	0.04m	0.04m	0.04m	0.04m
22	52093104	内六角锥端紧定螺钉M3X4	HEXAGON SOCKET HEAD SET SCREW M3X4	1	1	1	1
23	52003970	上钩针棒	UPPER CROCHET STICK	1	1	1	1
24	XXXXXXXX	上弯针	UPPER LOOPER	1	1	1	1
25	52092907	一字小平头螺钉M3.5X6 (发黑)	FLAT HEAD SCREW M3.5X6 (BLACK)	1	1	1	1
26	52003980	上钩针滑块	UPPER CROCHET SLIDER	1	1	1	1
27	52001220	上钩针油棉	UPPER CROCHET OIL COTTON	1	1	1	1
28	52091908	一字平头螺钉M2.5X8 (发黑)	FLAT HEAD SCREW M2.5X8 (BLACK)	1	1	1	1
29	52091506	一字沉头螺钉M2.5X5.8 (发黑)	SLOTTED COUNTERSUNK HEAD SCREW M2.5X5.8 (BLACK)	1	1	1	1
30	52001180	上钩针座盖板	UPPER CROCHET SEAT COVER	1	1	1	1
31	52096216	内六角螺栓M6X16 (发黑)	HEXAGON SOCKET HEAD BOLT M6X16 (BLACK)	2	2	2	2
32	52003960	上钩针座	UPPER CROCHET SEAT	1	1	1	1
33	52003961	上钩针座	UPPER CROCHET SEAT	0	1	1	1
34	52005180	过滤塞	FILTER PLUG	1	1	1	1
35	52004020	压板	PLATEN	1	1	1	1
36	52004000	吸油棉	OIL ABSORBENT COTTON	1	1	1	1
37	52093904	一字平头螺钉M3X4 (发黑)	FLAT HEAD SCREW M3X4 (BLACK)	1	1	1	1
38	52110090	上钩针组件	UPPER CROCHET COMPONENTS	1	1	1	1
39	52110091	上钩针组件	UPPER CROCHET COMPONENTS	0	1	1	1
40	52005210	针棒孔塞	NEEDLE HOLE PLUG	1	1	1	1
41	52010460	衬套组件	BUSHING ASSEMBLY	1	0	1	0
42	52010461	衬套组件	BUSHING ASSEMBLY	0	1	0	1
43	52010462	衬套组件	BUSHING ASSEMBLY	0	1	0	1
44	52010463	衬套组件	BUSHING ASSEMBLY	0	0	1	0

12. 下弯针部件/Lower Loooper Drive Mechanism

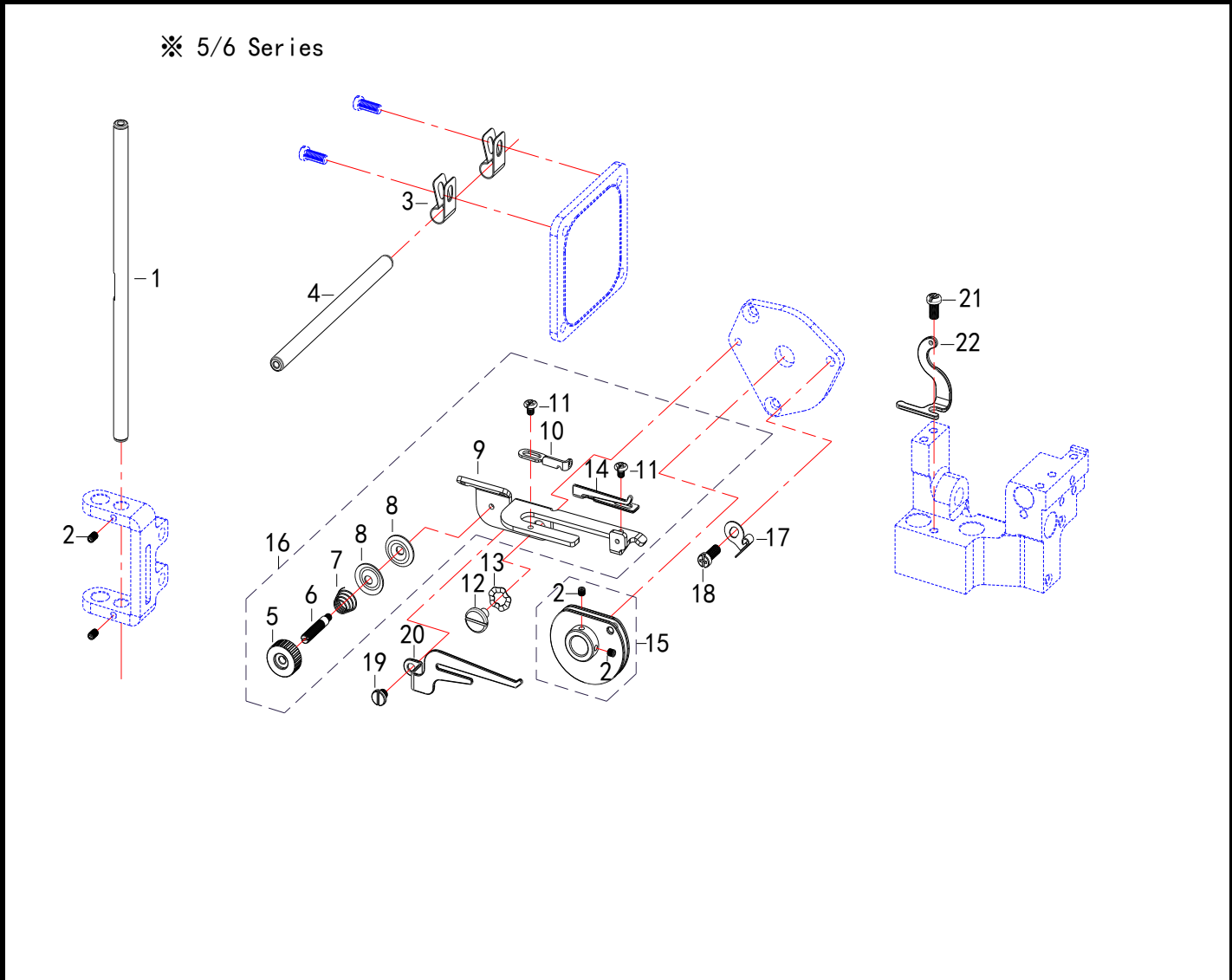


23

12. 下弯针部件/Lower Loooper Drive Mechanism

NO	零部件号	零部件名称	NAME OF PARTS	数量 (Number)			
				三线	四线	五线	六线
				three-thread	four-thread	five-thread	six-thread
1	52095310	开槽外六角螺栓M5X10 (发黑)	SLOTTED HEXAGON BOLTS M5X10 (BLACK)	1	1	1	1
2	10425640	弹簧垫圈5	SPRING WASHER 5	1	1	1	1
3	52003710	平垫圈5	FLAT WASHER 5	1	1	1	1
4	52000900	下钩针轴	LOWER CROCHET SHAFT	1	1	1	1
5	52003780	平垫片	FLAT GASKET	1	1	1	1
6	52000870	下钩针曲轴 (3/4线)	LOWER CROCHET CRANK (3/4 THREAD)	1	1	0	0
7	52000871	下钩针曲轴 (5线)	LOWER CROCHET CRANK (5 THREAD)	0	0	1	1
8	00805050	内紧定螺钉M5X5	SET SCREW M5X5	0	0	1	1
9	52097212	内六角螺栓M6X12X0.75 (发黑)	HEXAGON SOCKET HEAD BOLT M6X12X0.75 (BLACK)	1	1	1	1
10	52004230	油封	OIL SEAL	1	1	1	1
11	52093506	一字沉头螺钉M3X6 (发黑)	SLOTTED COUNTERSUNK HEAD SCREW M3X6 (BLACK)	2	2	2	2
12	52000910	连杆垫片	CONNECTING ROD GASKET	1	1	1	1
13	52006780	一字平头螺钉SM11-64 (40) (发黑)	CROSS FLAT HEAD SCREW SM11-64 (40) (BLACK)	4	4	4	4
14	52000860	弯针连杆 (铝)	LOOPER CONNECTING ROD (ALUMINUM)	1	1	1	1
15	52004170	外六角螺栓SM15-64 (28) (发黑)	HEXAGON BOLT SM15-64 (28) (BLACK)	1	1	1	1
16	52094907	一字大平头螺钉M4X7 (发黑)	SLOTTED FLAT HEAD SCREW M4X7 (BLACK)	1	1	1	1
17	XXXXXXX	下弯针	LOWER LOOPER	1	1	1	1
18	52092906	一字平头螺钉M3.5X6 (发黑)	FLAT HEAD SCREW M3.5X6 (BLACK)	1	1	1	1
19	52002680	下弯针架	LOWER LOOPER HOLDER	1	1	1	1
20	52010100	下弯针座组件	LOWER LOOPER SEAT ASSEMBLY	1	1	1	1
21	52007530	平垫圈6	FLAT WASHER 6	1	1	1	1

14. 二重环弯针机构 (2) (5/6线) /Chainstitch Looper Drive Mechanism (2)

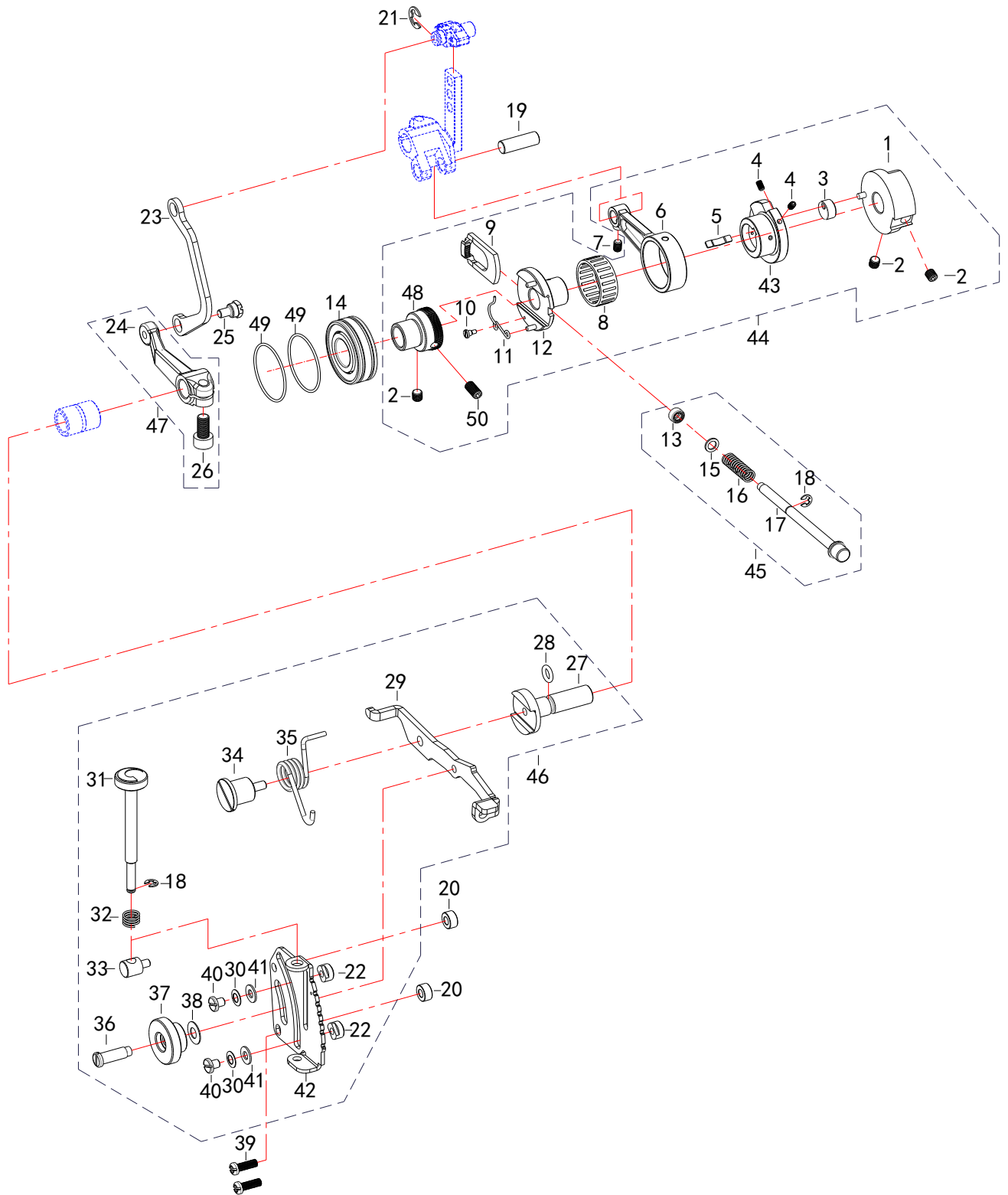


27

14. 二重环弯针机构 (2) (5/6线用) /Chainstitch Looper Drive Mechanism (2)

NO	零部件号	零部件名称	NAME OF PARTS	数量 (Number)			
				三线	四线	五线	六线
				three-thread	four-thread	five-thread	six-thread
1	52004680	过线管	CONDUIT	0	0	1	1
2	52093103	内六角平端紧定螺钉M3X3	HEXAGON SOCKET FLAT END SET SCREW	0	0	4	4
3	52002750	过线器夹	CABLE PASSER CLIP	0	0	2	2
4	52004621	过线管	CONDUIT	0	0	1	1
5	52004580	紧线手柄	TIGHT WIRE HANDLE	0	0	1	1
6	52004570	段螺钉M3	SEGMENT SCREW M3	0	0	1	1
7	52004590	弹簧	SPRING	0	0	1	1
8	52004600	夹线片	WIRE CLIP	0	0	2	2
9	52001490	打线凸轮架	WIRE CAM HOLDER	0	0	1	1
10	52004830	过线片	OVER THE WIRE	0	0	1	1
11	00703041	十字盘头螺钉M3X4(发黑)	CROSS PAN HEAD SCREW M3X4 (BLACK)	0	0	2	2
12	52003740	段螺钉M4	SEGMENT SCREW M4	0	0	1	1
13	52003730	波形弹性垫圈6	WAVE ELASTIC WASHER 6	0	0	1	1
14	52001520	过线板	CABLE BOARD	0	0	1	1
15	52001500	打线凸轮	WIRE CAM	0	0	1	1
16	52002860	打线凸轮组件	WIRE CAM ASSEMBLY	0	0	1	1
17	52001540	板弹簧	LEAF SPRING	0	0	1	1
18	52094410	十字盘头螺钉M4X10(发黑)	CROSS PAN HEAD SCREW M4X10 (BLACK)	0	0	1	1
19	52094805	一字平头螺钉M4X5(发黑)	FLAT HEAD SCREW M4X5 (BLACK)	0	0	1	1
20	52001510	分线板	BREAKOUT BOARD	0	0	1	1
21	52094408	十字盘头螺钉M4X8(发黑)	CROSS PAN HEAD SCREW M4X8 (BLACK)	0	0	1	1
22	52001280	过线片		0	0	1	1

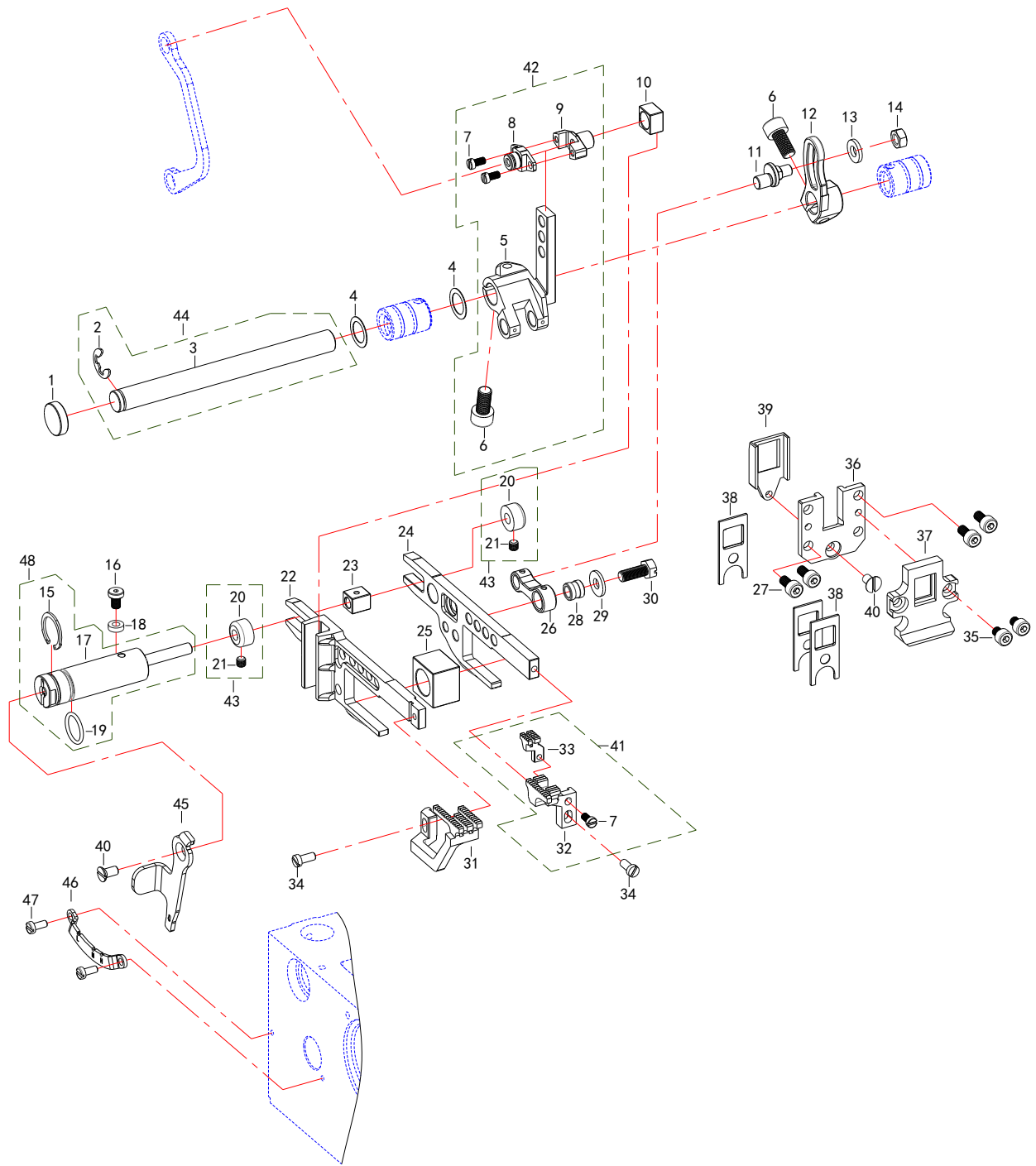
15. 差动调节机构/Feed Mechanism



15. 差动调节机构/Feed Mechanism

NO	零部件号	零部件名称	NAME OF PARTS	数量 (Number)			
				三线	四线	五线	六线
				three-thread	four-thread	five-thread	six-thread
1	52003230	送布偏心轮	FEEDING ECCENTRIC	1	1	1	1
2	00805050	内紧定螺钉M5X5	SET SCREW M5X5	3	3	3	3
3	52003240	小偏心轮	SMALL ECCENTRIC	1	1	1	1
4	10305230	内六角平端紧定螺钉M3X5	HEXAGON SOCKET FLAT END SET SCREW	2	2	2	2
5	52004850	弹簧板	SPRING PLATE	1	1	1	1
6	52003180	送料连杆	FEED LINK	1	1	1	1
7	00804061	内紧定螺钉 (黑色) M4X6	SET SCREW (BLACK) M4X6	1	1	1	1
8	52003190	滚针轴承26X22X10	NEEDLE ROLLER BEARING 26X22X10	1	1	1	1
9	52003260	棘爪	PAWL	1	1	1	1
10	52004630	段螺钉M2	SEGMENT SCREW M2	1	1	1	1
11	52003210	扭簧	TORSION SPRING	1	1	1	1
12	52003200	开针偏心凸轮	OPEN NEEDLE ECCENTRIC CAM	1	1	1	1
13	52004250	油封	OIL SEAL	1	1	1	1
14	52005340	深沟球轴承6202-RZ		1	1	1	1
15	52004640	平垫圈5	FLAT WASHER 5	1	1	1	1
16	52004490	弹簧	SPRING	1	1	1	1
17	52001310	开针扭轴	OPEN NEEDLE TWIST SHAFT	1	1	1	1
18	00201030	挡圈 E3	RETAINING RING E3	2	2	2	2
19	52004190	曲柄销	CRANK PIN	1	1	1	1
20	52001610	垫片	GASKET	2	2	2	2
21	52002730	开口挡圈E6	SPLIT RING E6	1	1	1	1
22	52001661	垫片螺母	SPACER NUT	2	2	2	2
23	52000720	差动连片	DIFFERENTIAL LINK	1	1	1	1
24	52000730	差动曲柄	DIFFERENTIAL CRANK	1	1	1	1
25	52007320	段螺钉M5	SEGMENT SCREW M5	1	1	1	1
26	52097212	内六角螺栓M6X12X0.75 (发	HEXAGON SOCKET HEAD BOLT M6X12X0.7	1	1	1	1
27	52001630	差动轴	DIFFERENTIAL SHAFT	1	1	1	1
28	52004240	差动轴O型圈	DIFFERENTIAL SHAFT O-RING	1	1	1	1
29	52001560	杆	ROD	1	1	1	1
30	52007450	蝶形垫片	BUTTERFLY GASKET	2	2	2	2
31	52001570	调节杆		1	1	1	1
32	52001601	压簧	COMPRESSION SPRING	1	1	1	1
33	52001581	配销	DISTRIBUTION	1	1	1	1
34	52001620	段螺钉	SEGMENT SCREW	1	1	1	1
35	52001640	扭簧	TORSION SPRING	1	1	1	1
36	52001670	段螺钉	SEGMENT SCREW	1	1	1	1
37	52001680	圆螺母	ROUND NUT	1	1	1	1
38	52004510	蝶形垫片	BUTTERFLY GASKET	1	1	1	1
39	52094412	十字盘头螺钉M4X12 (发黑)	CROSS PAN HEAD SCREW M4X12 (BLACK)	2	2	2	2
40	52007430	一字平头螺钉SM11-64(40)	FLAT HEAD SCREW SM11-64(40) (BLACK)	2	2	2	2
41	52007440	平垫圈4	FLAT WASHER 4	2	2	2	2
42	52001551	调节板	ADJUSTMENT PLATE	1	1	1	1
43	52003250	偏心轮	ECCENTRIC WHEEL	1	1	1	1
44	52002870	送料连杆组件	FEED LINK ASSEMBLY	1	1	1	1
45	52010120	开针扭轴组件	OPEN NEEDLE TWIST SHAFT ASSEMBLY	1	1	1	1
46	52010130	差动组件	DIFFERENTIAL COMPONENTS	1	1	1	1
47	52010410	差动曲柄组件	DIFFERENTIAL CRANK ASSEMBLY	1	1	1	1
48	52000510	棘轮	RATCHET	1	1	1	1
49	52005350	O型圈30x1.2	O-RING 30X1.2	2	2	2	2
50	00805101	内紧定螺钉M5X10(平端)	SET SCREW M5X10 (FLAT END)	1	1	1	1

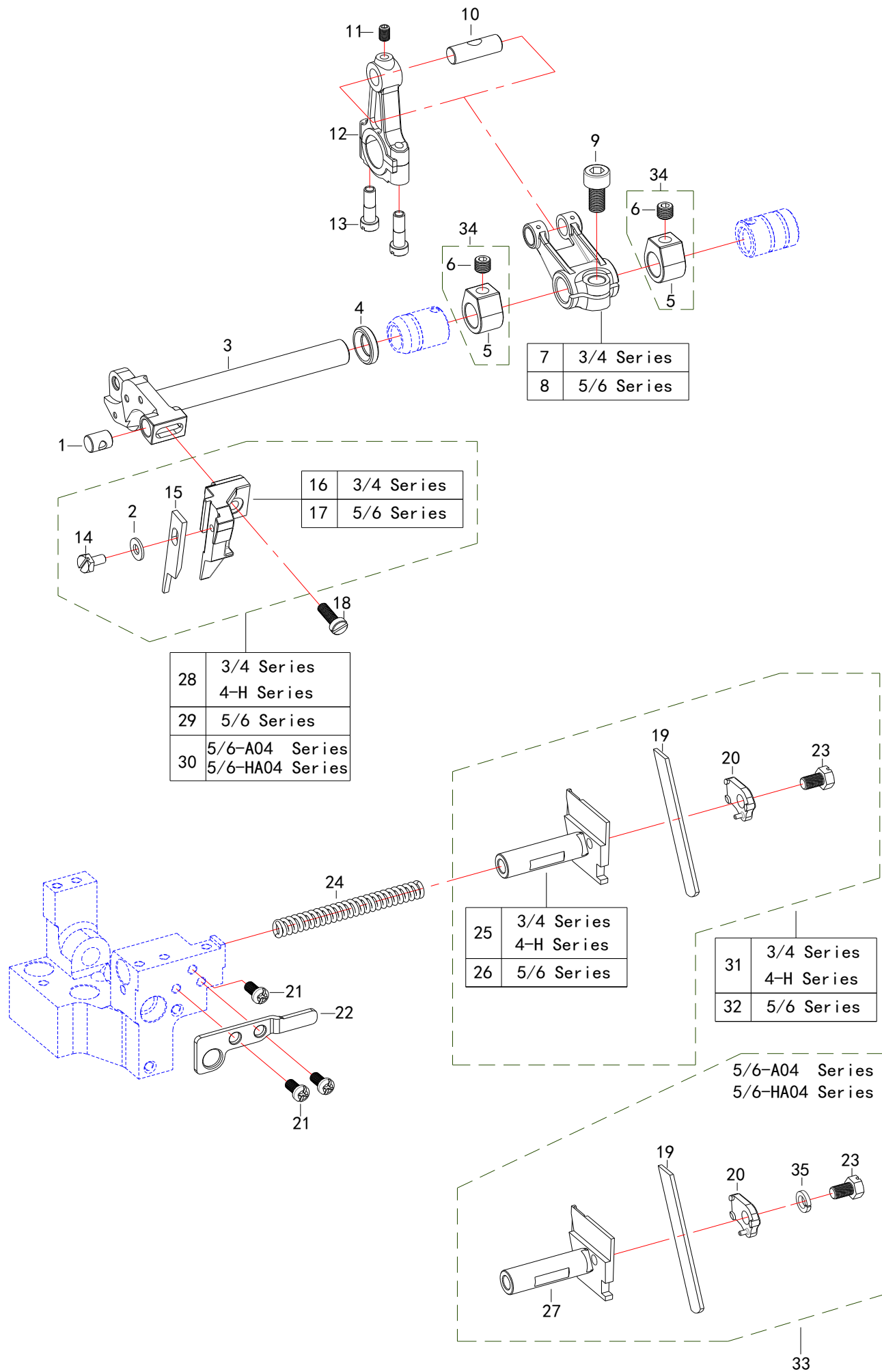
16. 送布机构/Feed Mechanism



16. 送布机构/Feed Mechanism

NO	零部件号	零部件名称	NAME OF PARTS	数量 (Number)			
				三线	四线	五线	六线
				three- thread	four- thread	five- thread	six- thread
1	52004670	油封	OIL SEAL	1	1	1	1
2	00201070	挡圈E7	RETAINING RING E7	1	1	1	1
3	52000520	送布轴	FEED SHAFT	1	1	1	1
4	52003780	平垫片	FLAT GASKET	2	2	2	2
5	52002700	送料曲柄	FEED CRANK	1	1	1	1
6	52097212	内六角螺栓M6X12X0.75 (发	HEXAGON SOCKET HEAD BOLT M6X12X0.7	2	2	2	2
7	52093906	一字平头螺钉M3X6(发黑)	FLAT HEAD SCREW M3X6 (BLACK)	3	3	3	3
8	52002720	曲柄销	CRANK PIN	1	1	1	1
9	52002710	曲柄	CRANK	1	1	1	1
10	52000570	滑块	SLIDER	1	1	1	1
11	52000620	偏心销	ECCENTRIC PIN	1	1	1	1
12	52000600	送料曲柄	FEED CRANK	1	1	1	1
13	02000094	垫圈5	WASHER 5	1	1	1	1
14	52000660	螺母M5 (发黑)	NUT M5 (BLACKENED)	1	1	1	1
15	52004260	卡簧	CIRCLIP	1	1	1	1
16	52094206	内六角圆柱头螺钉M4X6 (发	HEXAGON SOCKET HEAD SCREW M4X6 (BL	1	1	1	1
17	52000700	偏心轴	ECCENTRIC SHAFT	1	1	1	1
18	52004650	密封垫	GASKET	1	1	1	1
19	52002170	O型圈φ12x1.5	O-RINGφ12X1.5	1	1	1	1
20	52000710	挡圈	RETAINING RING	2	2	2	2
21	00804040	内紧定螺钉M4X4	SET SCREW M4X4	2	2	2	2
22	52000550	差动齿牙架	DIFFERENTIAL TOOTH BRACKET	1	1	1	1
23	52000580	滑柱	STRUT	1	1	1	1
24	52000560	主送齿牙架	MAIN FEED TOOTH BRACKET	1	1	1	1
25	52000590	滑块	SLIDER	1	1	1	1
26	52000610	连杆	LINK	1	1	1	1
27	02000018	内六角螺栓M4X8 (发黑)	HEXAGON SOCKET HEAD BOLT M4X8 (BLA	4	4	4	4
28	52000630	连杆套	CONNECTING ROD SLEEVE	1	1	1	1
29	00506010	垫圈	WASHER	1	1	1	1
30	52095313	开槽外六角螺栓M5X13X0.5	SLOTTED OUTER HEXAGON BOLT M5X13X0	1	1	1	1
31	XXXXXXXX	差动传动齿	DIFFERENTIAL GEAR	1	1	1	1
32	XXXXXXXX	主送齿	MAIN GEAR	1	1	1	1
33	XXXXXXXX	辅助送齿	AUXILIARY GEAR FEEDING	1	1	1	1
34	52092927	一字平头螺钉M3.5X7.5 (发	FLAT HEAD SCREW M3.5X7.5 (BLACK)	2	2	2	2
35	52094205	内六角螺栓M4X5 (发黑)	HEXAGON SOCKET HEAD BOLT M4X5 (BLA	4	4	2	2
36	52000740	牙架挡块 (一体)	TOOTH FRAME STOP (INTEGRATED)	1	1	1	1
37	52000750	挡油板	OIL DEFLECTOR	1	1	1	1
38	52003900	牙架油封	DENT HOLDER OIL SEAL	3	3	3	3
39	52005120	牙架挡油板	TOOTH FRAME OIL DEFLECTOR	1	1	1	1
40	52094508	一字沉头螺钉M4X8 (发黑)	SLOTTED COUNTERSUNK HEAD SCREW M4X	2	2	2	2
41	XXXXXXXX	主送齿组件	MAIN GEAR ASSEMBLY	1	1	1	1
42	52110110	送料曲柄组件	FEED CRANK ASSEMBLY	1	1	1	1
43	52010420	挡圈组件	RETAINING RING ASSEMBLY	2	2	2	2
44	52010510	送布轴组件	FEED SHAFT ASSEMBLY	1	1	1	1
45	52007200	调节杆	ADJUSTING LEVER	1	1	1	1
46	52007210	盘	PLATE	1	1	1	1
47	52093927	一字平头螺钉M3X7 (发黑)	FLAT HEAD SCREW M3X7 (BLACK)	2	2	2	2
48	52110250	偏心轴组件	ECCENTRIC SHAFT ASSEMBLY	1	1	1	1

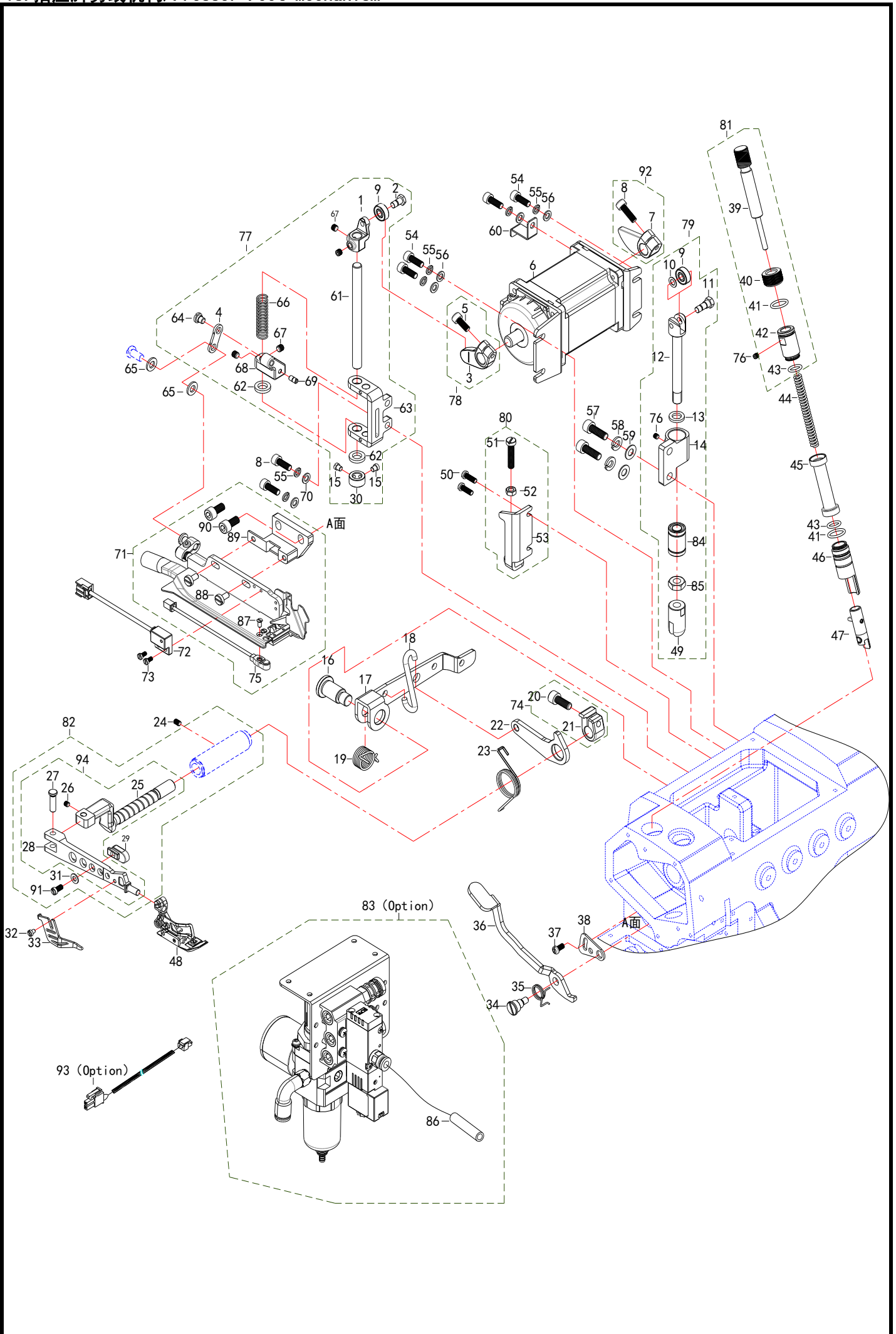
17. 剪布机构/Knife Drive Mechanism



17. 剪布机构/Knife Drive Mechanism

NO	零部件号	零部件名称	NAME OF PARTS	数量 (Number)			
				三线	四线	五线	六线
				three- thread	four- thread	five- thread	six- thread
1	52000990	导向销	GUIDE PIN	1	1	1	1
2	52005230	平垫圈4	FLAT WASHER 4	1	1	1	1
3	52001040	上刀架轴	UPPER TOOL POST SHAFT	1	1	1	1
4	52004280	油封	OIL SEAL	1	1	1	1
5	52000970	挡块	STOPPERS	2	2	2	2
6	02000008	内紧定螺钉M6X5X0.75	INTERNAL SET SCREW M6X5X0.75	2	2	2	2
7	52000980	刀架曲柄 (3/4线)	TOOL HOLDER CRANK (3/4 WIRE)	1	1	0	0
8	52000981	刀架曲柄 (5线)	TOOL HOLDER CRANK (5 WIRES)	0	0	1	1
9	52097212	内六角螺栓M6X12X0.75	HEXAGON SOCKET HEAD BOLT M6X12X0.75	1	1	1	1
10	52004190	曲柄销	CRANK PIN	1	1	1	1
11	00804061	内紧定螺钉 (黑色) M4X6	SET SCREW (BLACK) M4X6	1	1	1	1
12	52001000	上刀连杆 (铝)	UPPER KNIFE CONNECTING ROD (ALUMINUM)	1	1	1	1
13	52006780	一字平头螺钉SM11-64 (40)	CROSS FLAT HEAD SCREW SM11-64 (40)	2	2	2	2
14	52092307	开槽外六角螺栓M3.5X7.5 (发黑)	FLAT HEAD SCREW M3.5X7.5 (BLACK)	1	1	1	1
15	XXXXXXXX	上刀	ON THE KNIFE	1	1	1	1
16	52001020	上刀座 (3/4线)	UPPER KNIFE HOLDER (3/4 WIRE)	1	1	0	0
17	52001021	上刀座 (5线)	UPPER KNIFE HOLDER (5 LINES)	0	0	1	1
18	52094912	一字平头螺钉M4X12 (发黑)	SLOTTED SCREW (BLACK) M4X12	1	1	1	1
19	XXXXXXXX	下刀	UNDER THE KNIFE	1	1	1	1
20	52001340	压板	PLATEN	1	1	1	1
21	52094408	十字盘头螺钉M4X8 (发黑)	CROSS PAN HEAD SCREW M4X8 (BLACK)	3	3	3	3
22	52001270	挡板	BAFFLE	1	1	1	1
23	52095308	开槽外六角螺栓M5X8	SLOTTED HEXAGON BOLTS M5X8	1	1	1	1
24	52005110	压簧	COMPRESSION SPRING	1	1	1	1
25	52001330	下刀架 (3/4线)	LOWER KNIFE HOLDER (3/4 WIRE)	1	1	0	0
26	52001331	下刀架 (5线)	LOWER KNIFE HOLDER (5 LINES)	0	0	1	1
27	52001333	下刀架 (5线)	LOWER KNIFE HOLDER (5 LINES)	0	0	1	0
28	52010190	上刀座组件 (3/4线)	UPPER TOOL HOLDER ASSEMBLY (3/4 WIRE)	1	1	0	0
29	52010191	上刀座组件 (5线)	UPPER TOOL HOLDER ASSEMBLY (5 WIRE)	0	0	1	1
30	52010193	上刀座组件 (5线厚料)	UPPER KNIFE HOLDER ASSEMBLY (5-WIRE THICK)	0	0	1	1
31	52010200	下刀架组件 (3/4线)	LOWER KNIFE HOLDER ASSEMBLY (3/4 WIRE)	1	1	0	0
32	52010201	下刀架组件 (5线)	LOWER TOOL HOLDER ASSEMBLY (5 WIRE)	0	0	1	1
33	52010203	下刀架组件 (5线厚料)	LOWER TOOL HOLDER ASSEMBLY (5-WIRE THICK)	0	0	1	1
34	52010430	挡块组件	STOPPER ASSEMBLY	2	2	2	2
35	10425640	弹簧垫圈5	SPRING WASHER 5	0	0	0(1)	0(1)

18. 抬压脚剪线机构/Presser Foot Mechanism

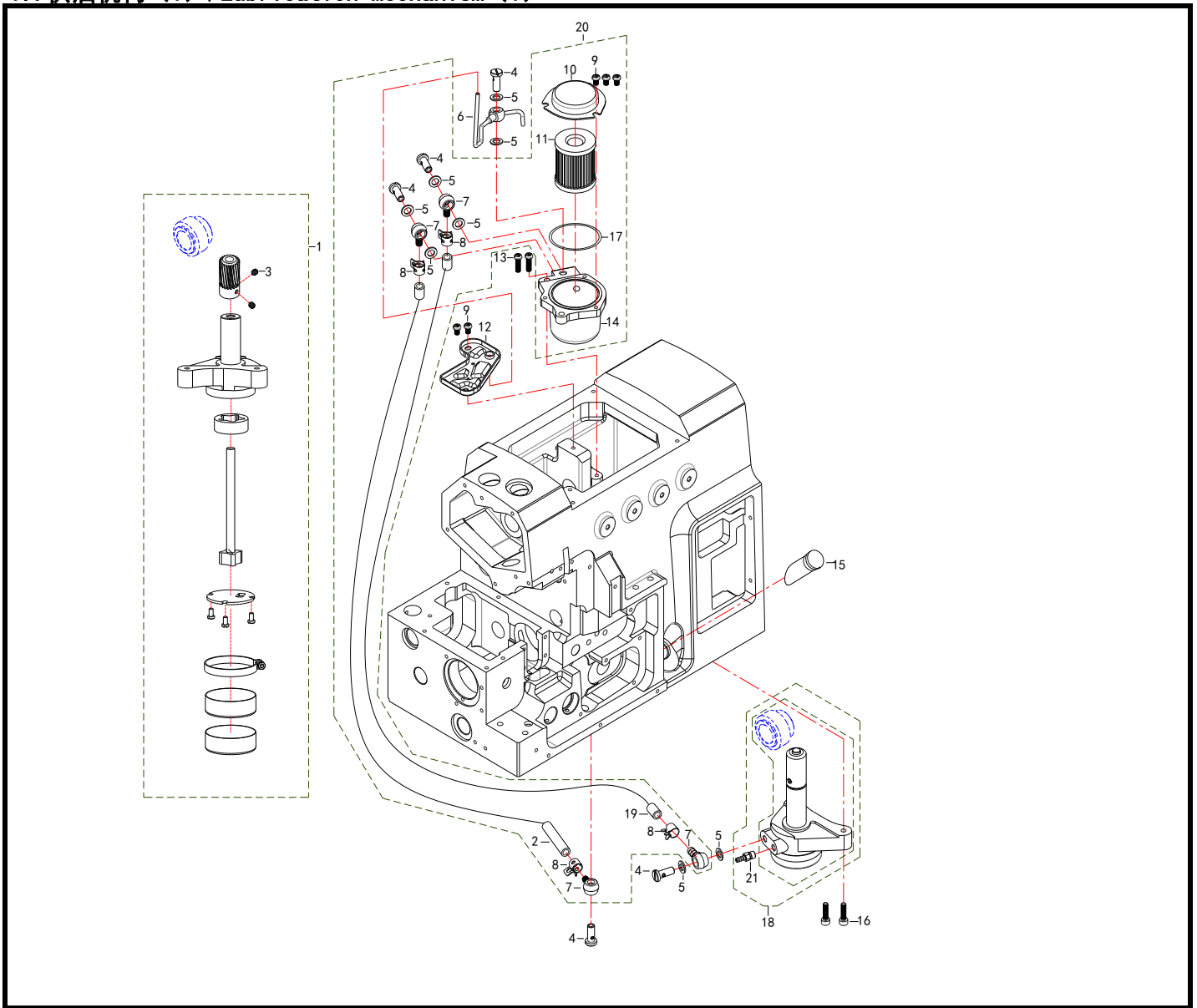


18. 抬压脚剪线机构/Presser Foot Mechanism

NO	零部件号	零部件名称	NAME OF PARTS	数量 (Number)			
				三线	四线	五线	六线
				three-thread	four-thread	five-thread	six-thread
1	52006960	轴承座	BEARING HOUSING	1	1	1	1
2	52007250	轴位螺钉	AXIAL SCREW	1	1	1	1
3	52005610	曲柄	CRANK	1	1	1	1
4	52006930	连杆	LINK	1	1	1	1
5	01205121	内六角螺栓M5X12 (黑色)	HEXAGON SOCKET HEAD BOLT M5X12 (BL	1	1	1	1
6	52002820	抬压脚电机	PRESSER FOOT LIFTER MOTOR	1	1	1	1
7	52005540	凸轮	CAM	1	1	1	1
8	01205161	内六角螺栓M5X16 (黑色)	HEXAGON SOCKET HEAD BOLT M5X16 (BL	3	3	3	3
9	52005550	深沟球轴承605ZZ	DEEP GROOVE BALL BEARING 605ZZ	2	2	2	2
10	52005600	垫片	GASKET	1	1	1	1
11	52001910	轴位螺钉	AXIAL SCREW	1	1	1	1
12	52005560	轴	AXIS	1	1	1	1
13	52007330	橡胶垫圈	RUBBER GASKET	1	1	1	1
14	52005570	支架	BRACKET	1	1	1	1
15	52094904	一字平头螺钉M4X4 (发黑)	FLAT HEAD SCREW M4X4 (BLACK)	2	2	2	2
16	52004400	抬压脚螺丝	PRESSER FOOT LIFTER SCREW	1	1	1	1
17	52002980	抬压脚杠杆	PRESSER FOOT LIFTER	1	1	1	1
18	52003170	挂勾	HOOK	1	1	1	1
19	52004420	弹簧	SPRING	1	1	1	1
20	52097215	内六角螺栓M6X15X0.75 (发黑)	HEXAGON SOCKET HEAD BOLT M6X15X0.7	1	1	1	1
21	52003020	复位圈	RESET CIRCLE	1	1	1	1
22	52003030	小杠杆	SMALL LEVERAGE	1	1	1	1
23	52004150	弹簧	SPRING	1	1	1	1
24	00804061	内紧定螺钉 (黑色) M4X6	SET SCREW (BLACK) M4X6	1	1	1	1
25	52003010	压脚轴	PRESSER FOOT SHAFT	1	1	1	1
26	52094104	内六角平端紧定螺钉M4X0.5	HEXAGON SOCKET FLAT END SET SCREW	1	1	1	1
27	52003050	连杆销	CONNECTING ROD PIN	1	1	1	1
28	52003040	压脚臂	PRESSER FOOT ARM	1	1	1	1
29	52007310	磁铁固定块	MAGNET FIXING BLOCK	1	1	1	1
30	15100620	挡圈	RETAINING RING	1	1	1	1
31	00504111	垫圈黑色M4	WASHER BLACK M4	1	1	1	1
32	52006760	一字平头螺钉SM1-8 (44)	FLAT HEAD SCREW SM1-8 (44)	1	1	1	1
33	52001950	切刀挡板	CUTTER BAFFLE	1	1	1	1
34	52001870	压杆扳手螺丝	PRESSURE ROD WRENCH SCREW	1	1	1	1
35	52004140	扭簧	TORSION SPRING	1	1	1	1
36	52001860	压杆扳手	PRESSURE BAR WRENCH	1	1	1	1
37	52094908	一字平头螺钉M4X8 (发黑)	FLAT HEAD SCREW M4X8 (BLACK)	1	1	1	1
38	52001880	限位板	LIMIT PLATE	1	1	1	1
39	52001810	调节螺柱	ADJUSTING STUD	1	1	1	1
40	52001840	压杆调节螺母	PRESSURE ROD ADJUSTMENT NUT	1	1	1	1
41	52002170	O型圈φ12x1.5	O-RINGφ12X1.5	2	2	2	2
42	52001830	螺纹套	THREADED SLEEVE	1	1	1	1
43	52002180	O型圈φ11.5x0.9	O-RINGφ11.5X0.9	2	2	2	2
44	52004120	压杆弹簧	PRESSURE ROD SPRING	1	1	1	1
45	52001800	防油套	OIL PROOF COVER	1	1	1	1
46	52001790	压杆套筒	PRESSURE ROD SLEEVE	1	1	1	1
47	52001820	压杆组件	PRESSURE ROD ASSEMBLY	1	1	1	1
48	XXXXXXXX	压脚组件	PRESSER FOOT ASSEMBLY	1	1	1	1
49	52005580	压块	BRIQUETTING	1	1	1	1
50	02000049	一字螺钉 (黑色) M4X10	GROSS PAN HEAD SCREW M4X12 (BLACK)	2	2	2	2
51	52095924	一字平头螺钉M5X24 (发黑)	FLAT HEAD SCREW M5X24 (BLACK)	1	1	1	1
52	52000660	螺母M5 (发黑)	NUT M5 (BLACKENED)	1	1	1	1
53	52001460	限位板	LIMIT PLATE	1	1	1	1
54	01205146	内六角螺栓M5X14 (材料定制)	HEXAGON SOCKET HEAD BOLT M5X14 (MA	4	4	4	4
55	10425640	弹簧垫圈5	SPRING WASHER 5	6	6	6	6
56	00505041	垫圈M5 (发黑)	WASHER M5 (BLACK)	4	4	4	4
57	52096216	内六角螺栓M6X16 (发黑)	HEXAGON SOCKET HEAD BOLT M6X16 (BL	2	2	2	2
58	52006990	弹簧垫圈6	SPRING WASHER 6	2	2	2	2
59	00506050	平垫圈M6 (发黑)	FLAT WASHER M6 (BLACK)	2	2	2	2

60	52002740	线夹	WIRE CLIP	1	1	1	1
61	52005590	轴	AXIS	1	1	1	1
62	52006940	橡胶垫圈	RUBBER GASKET	2	2	2	2
63	52002040	支架	BRACKET	1	1	1	1
64	52006700	轴位螺钉	AXIAL SCREW	1	1	1	1
65	52006950	垫圈	WASHER	2	2	2	2
66	52002070	切刀弹簧	CUTTER SPRING	1	1	1	1
67	00805050	内紧定螺钉M5X5	SET SCREW M5X5	4	4	4	4
68	52002060	滑块	SLIDER	1	1	1	1
69	52001920	定位螺钉	SET SCREW	1	1	1	1
70	02000107	平垫圈M5	FLAT WASHER M5	2	2	2	2
71	52001130	切刀组件	CUTTER ASSEMBLY	1	1	1	1
72	52002320	安全开关	SAFETY SWITCH	1	1	1	1
73	52093927	一字平头螺钉M3X7 (发黑)	FLAT HEAD SCREW M3X7 (BLACK)	2	2	2	2
74	52010470	复位圈组件	RESET RING ASSEMBLY	1	1	1	1
75	52021430	后接收装置	REAR RECEIVER	1	1	1	1
76	00804040	内紧定螺钉M4X4	SET SCREW M4X4	2	2	2	2
77	52010210	切刀机构组件	CUTTER MECHANISM COMPONENTS	1	1	1	1
78	52010770	曲柄组		1	1	1	1
79	52010220	抬压脚机构组件	PRESSER FOOT LIFTER ASSEMBLY	1	1	1	1
80	52010230	限位板组件	LIMIT PLATE ASSEMBLY	1	1	1	1
81	52010240	压杆调节组件	COMPRESSION ROD ADJUSTMENT ASSEMBLY	1	1	1	1
82	52010250	压脚臂组件	PRESSER FOOT ARM ASSEMBLY	1	1	1	1
83	52110240	一联电磁阀组件	ONE-WAY SOLENOID VALVE ASSEMBLY	1	1	1	1
84	52007290	直线轴承LN8UU	LINEAR BEARING LN8UU	1	1	1	1
85	00408050	螺母M8	NUT M8	1	1	1	1
86	10126690	气管	TRACHEA	0.8m	0.8m	0.8m	0.8m
87	52093506	一字沉头螺钉M3X6 (发黑)	SLOTTED COUNTERSUNK HEAD SCREW M3X6 (BLACK)	1	1	1	1
88	52006770	一字平头螺钉SM11-64(40)	FLAT HEAD SCREW SM11-64(40) (BLACK)	2	2	2	2
89	52001139	刀架连接座	TOOL HOLDER CONNECTION SEAT	1	1	1	1
90	01206121	内六角螺栓M6X12	HEXAGON SOCKET HEAD BOLT M6X12	2	2	2	2
91	52094928	一字平头螺钉M4X8 (发黑)	FLAT HEAD SCREW M4X8 (BLACK)	1	1	1	1
92	52010780	凸轮组		1	1	1	1
93	52007561	一联线束		1	1	1	1
94	52110370	压脚臂组		1	1	1	1

19. 供油机构 (1) / Lubrication Mechanism (1)

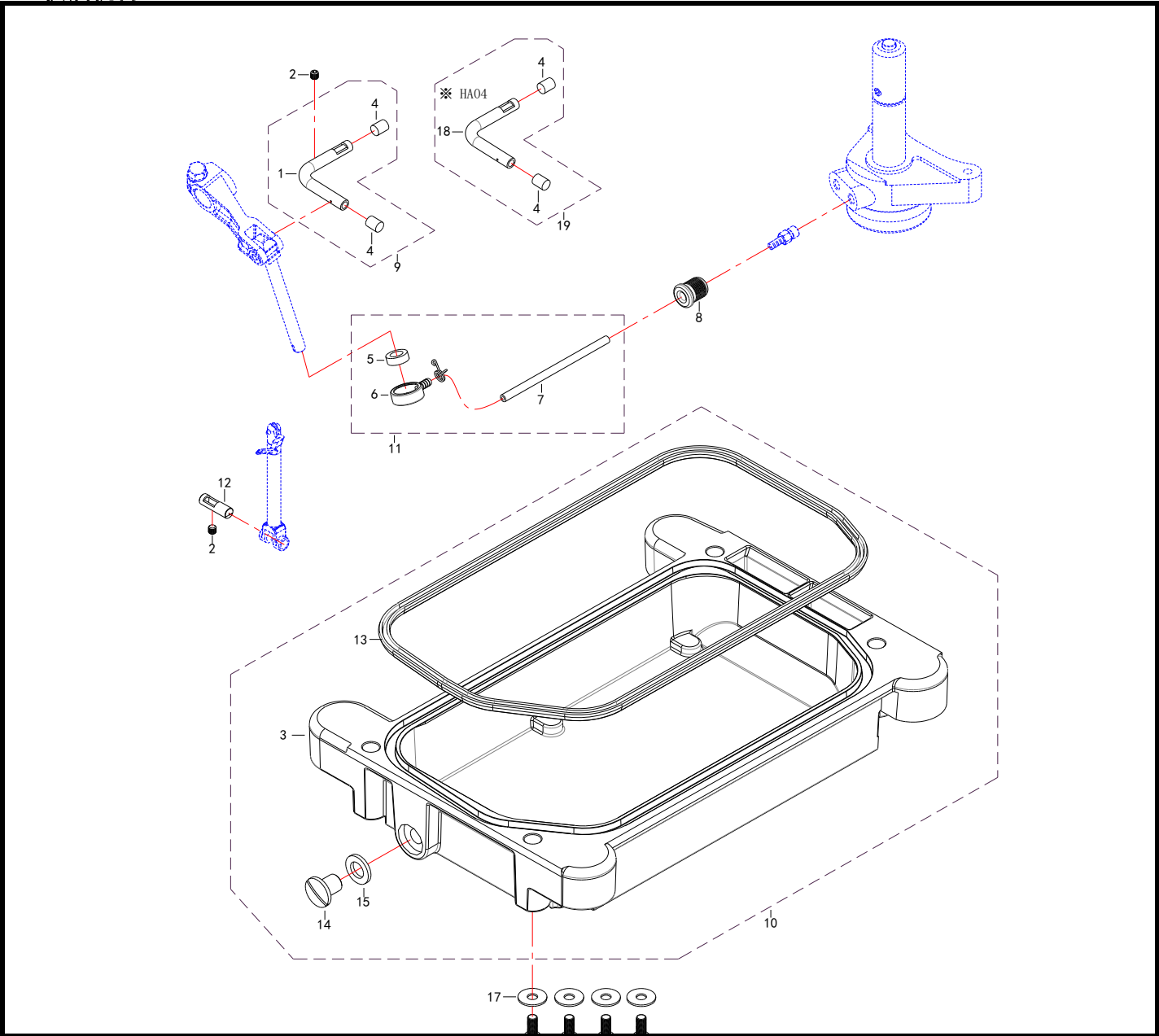


39

19. 供油机构 (1) / Lubrication Mechanism (1)

NO	零部件号	零部件名称	NAME OF PARTS	数量 (Number)			
				三线	四线	五线	六线
				three-thread	four-thread	five-thread	six-thread
1	52004901	油泵蜗杆组件	OIL PUMP WORM ASSEMBLY	1	1	1	1
2	52004910	油管 $\Phi 5 \times \Phi 8$	OIL PIPE $\Phi 5 \times \Phi 8$	0.25m	0.25m	0.25m	0.25m
3	00805050	内紧定螺钉 M5X5	SET SCREW M5X5	2	2	2	2
4	52003930	油路螺丝	OIL WAY SCREW	5	5	5	5
5	52003870	油路螺丝垫片	OIL WAY SCREW GASKET	8	8	8	8
6	52003860	喷油管	FUEL INJECTION PIPE	1	1	1	1
7	52002780	油管接口	TUBING INTERFACE	4	4	4	4
8	52003880	油管卡簧	TUBING SPRING	4	4	4	4
9	52094408	十字盘头螺钉 M4X8 (发黑)	CROSS PAN HEAD SCREW M4X8 (BLACK)	5	5	5	5
10	52002770	滤油器盖	OIL FILTER COVER	1	1	1	1
11	52002790	滤油器	OIL FILTER	1	1	1	1
12	52002800	接油盘	OIL PAN	1	1	1	1
13	52094414	十字盘头螺钉 M4X14 (发黑)	CROSS PAN HEAD SCREW M4X14 (BLACK)	2	2	2	2
14	52002760	油缸	CYLINDER	1	1	1	1
15	52002480	油镜标示	OIL GLASS MARKING	1	1	1	1
16	52094216	内六角螺栓 M4X16 (发黑)	HEXAGON SOCKET HEAD BOLT M4X16 (BLACK)	2	2	2	2
17	52005330	O型圈 41x1.8	O-RING 41X1.8	1	1	1	1
18	52010440	油泵组组件	OIL PUMP ASSEMBLY	1	1	1	1
19	52004910	油管 $\Phi 5 \times \Phi 8$	OIL PIPE $\Phi 5 \times \Phi 8$	0.20m	0.20m	0.20m	0.20m
20	52010280	油缸组件	CYLINDER ASSEMBLY	1	1	1	1
21	52004360	油管接头	HOSE CONNECTOR	1	1	1	1

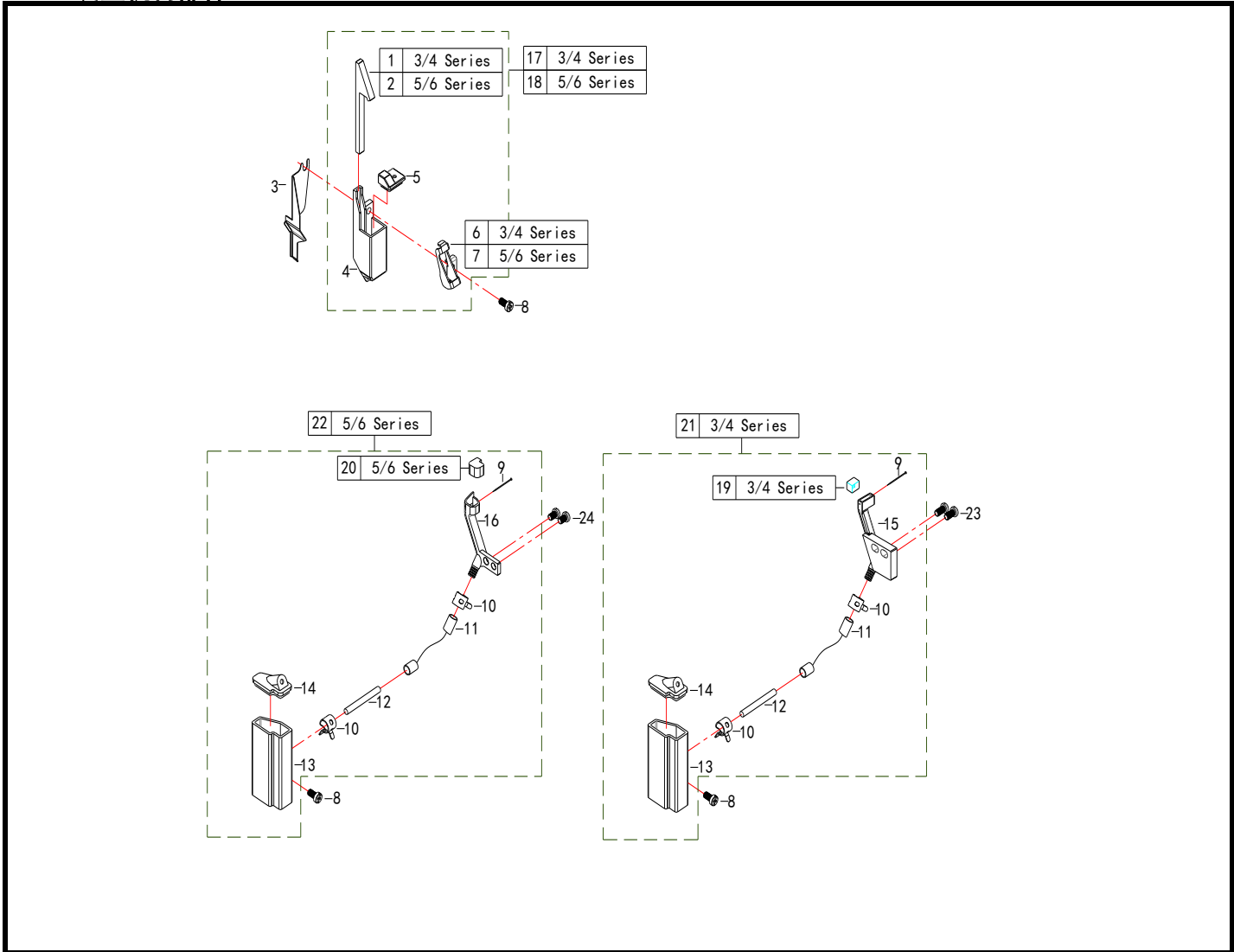
20. 供油机构 (2) / Lubrication Mechanism (2)



41
20. 供油机构 (2) / Lubrication Mechanism (2)

NO	零部件号	零部件名称	NAME OF PARTS	数量 (Number)			
				三线 three- thread	四线 four- thread	五线 five- thread	六线 six- thread
1	52004040	针棒润滑油槽	NEEDLE BAR LUBE GROOVE	1	1	1	1
2	00804040	内紧定螺钉M4X4	SET SCREW M4X4	2	2	2	2
3	52002350	油盘	OIL PAN	1	1	1	1
4	52004940	橡胶塞	RUBBER STOPPER	2	2	2	2
5	52004340	毛毡	FELT	1	1	1	1
6	52004370	吸油嘴	OIL SUCTION NOZZLE	1	1	1	1
7	10583450	油管	TUBING	1	1	1	1
8	52004380	塞子	PLUG	1	1	1	1
9	52110130	针棒润滑油槽组件	NEEDLE BAR LUBE GROOVE ASSEMBLY	1	1	1	1
10	52010300	油盘组件	OIL PAN ASSEMBLY	1	1	1	1
11	52110120	吸油组件	OIL SUCTION COMPONENTS	1	1	1	1
12	52004050	上钩针供油销	UPPER CROCHET OIL SUPPLY PIN	1	1	1	1
13	52004310	油盘垫	OIL PAN GASKET	1	1	1	1
14	52004270	油盘放油螺丝	OIL PAN OIL DRAIN SCREW	1	1	1	1
15	52004300	油封	OIL SEAL	1	1	1	1
16	01205121	内六角螺栓M5X12 (黑色)	HEXAGON SOCKET HEAD BOLT M5X12 (BL)	4	4	4	4
17	52004220	平垫圈5	FLAT WASHER 5	4	4	4	4
18	52004041	针棒润滑油槽		0	0	1	1
19	52110131	针棒润滑油槽组件		0	0	1	1

21. HR装置机构部件/H. R. Device



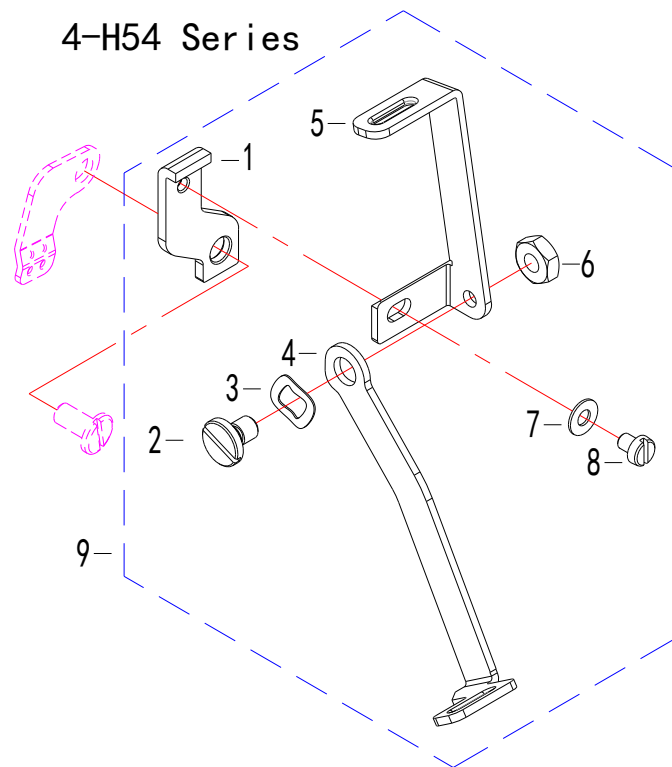
43

21. HR装置机构部件/H. R. Device

NO	零部件号	零部件名称	NAME OF PARTS	数量 (Number)			
				三线	四线	五线	六线
				three-thread	four-thread	five-thread	six-thread
1	52002520	毛毡 (3/4线)	FELT (3/4 THREAD)	1	1	0	0
2	52002521	毛毡 (5线)	FELT (5 THREADS)	0	0	1	1
3	52002530	硅油盒固定板	SILICONE OIL BOX FIXING PLATE	1	1	1	1
4	52002490	上硅油盒	UPPER SILICONE OIL BOX	1	1	1	1
5	52002500	密封盖	SEALING CAP	1	1	1	1
6	52002510	过线架 (3/4线)	WIRE RACK (3/4 WIRE)	1	1	0	0
7	52002511	过线架 (5线)	WIRE RACK (5 WIRES)	0	0	1	1
8	52094410	十字盘头螺钉M4X10 (发黑)	CROSS PAN HEAD SCREW M4X10 (BLACK)	2	2	2	2
9	52004880	大头针	PIN	1	1	1	1
10	52005370	油管卡簧	TUBING SPRING	2	2	2	2
11	52004910	油管 $\Phi 5 \times \Phi 8$	OIL PIPE $\Phi 5 \times \Phi 8$	1	1	1	1
12	52002160	油线	OIL LINE	1	1	1	1
13	52001420	硅油壶 (下)	SILICONE OIL POT (BELOW)	1	1	1	1
14	52001440	盖	COVER	1	1	1	1
15	52001410	针冷却器 (3/4线)	NEEDLE COOLER (3/4 WIRE)	1	1	0	0
16	52001411	针冷却器 (5线)	NEEDLE COOLER (5 WIRES)	0	0	1	1
17	52005050	上硅油盒组件 (3/4线)	UPPER SILICONE OIL BOX ASSEMBLY (3/4)	1	1	0	0
18	52005051	上硅油盒组件 (5线)	UPPER SILICONE OIL BOX ASSEMBLY (5)	0	0	1	1
19	52005070	毛毡 (3/4线)	FELT (3/4 THREAD)	1	1	0	0
20	52005071	毛毡 (5线)	FELT (5 THREADS)	0	0	1	1
21	52005080	下硅油盒组件 (3/4线)	LOWER SILICONE OIL BOX ASSEMBLY (3/4)	1	1	0	0
22	52005081	下硅油盒组件 (5线)	LOWER SILICONE OIL BOX ASSEMBLY (5)	0	0	1	1
23	52094412	十字盘头螺钉M4X12 (发黑)	CROSS PAN HEAD SCREW M4X12 (BLACK)	2	2	0	0
24	52094408	十字盘头螺钉M4X8 (发黑)	CROSS PAN HEAD SCREW M4X8 (BLACK)	0	0	2	2

22. 专用零件

※ 4-53 Series
4-H54 Series

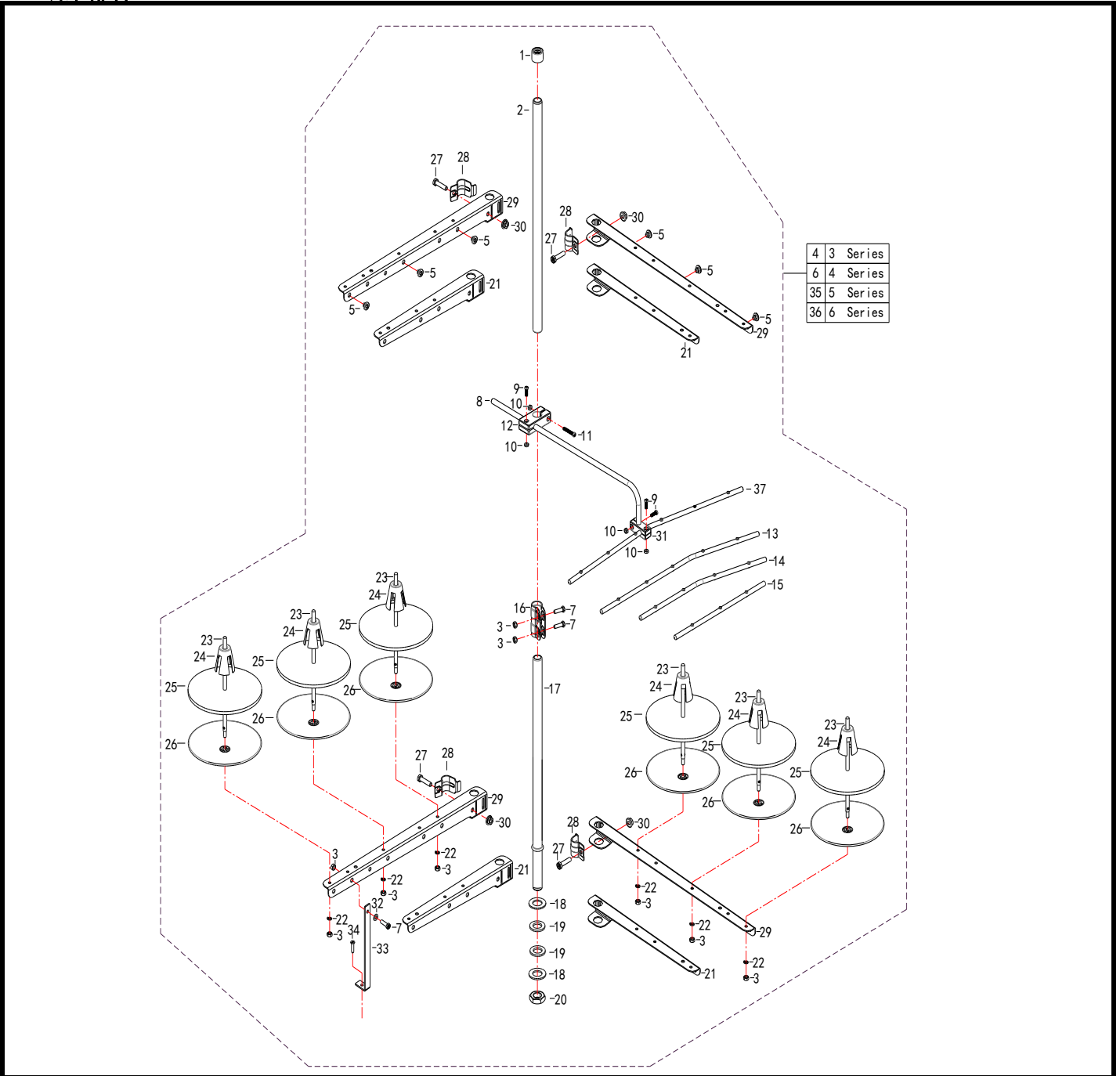


45

22. 专用零件

NO	零部件号	零部件名称	NAME OF PARTS	数量 (Number)			
				三线	四线	五线	六线
				three-thread	four-thread	five-thread	six-thread
1	52007390	固定板		0	1	0	0
2	52007570	轴位螺钉		0	1	0	0
3	52003731	波形弹性垫圈6		0	1	0	0
4	52007400	下支架		0	1	0	0
5	52007410	上支架		0	1	0	0
6	02000074	支架钩螺母SM4. 37		0	1	0	0
7	52007260	平垫圈3		0	1	0	0
8	52093904	一字平头螺钉M3X4 (发黑)		0	1	0	0
9	52010790	入带装置组件		0	1	0	0

23. 线架部件/Thread Stand



47

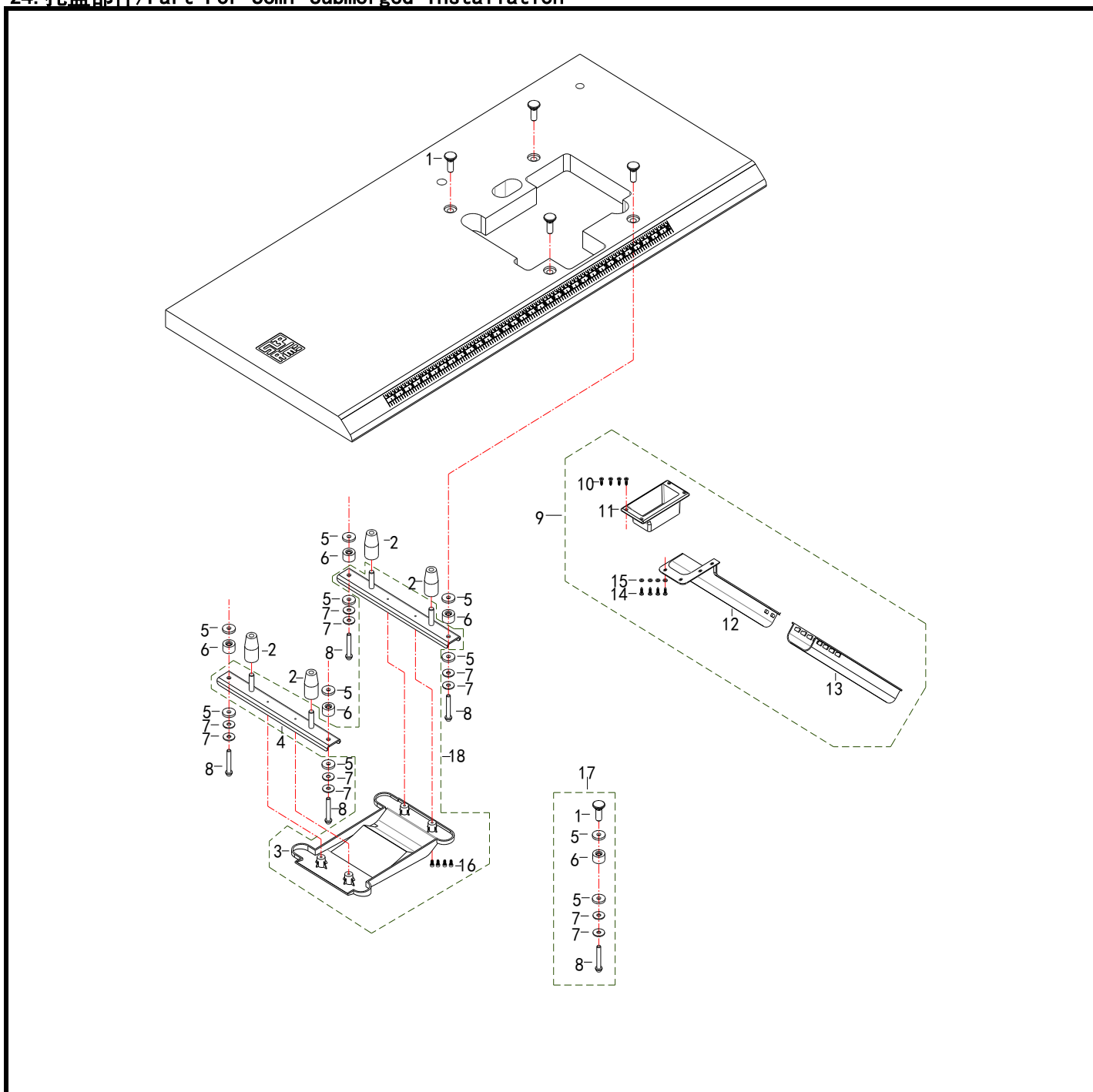
23. 线架部件/Thread Stand

NO	零部件号	零部件名称	NAME OF PARTS	数量 (Number)			
				三线	四线	五线	六线
				three-thread	four-thread	five-thread	six-thread
1	52005720	棒帽	STICK CAP	1	1	1	1
2	52005730	上管	TOP TUBE	1	1	1	1
3	00405380	螺母M5	NUT M5	6	7	8	9
4	52110000	线架组件 (三线)	WIRE FRAME ASSEMBLY (THREE WIRES)	1	0	0	0
5	52005760	过线环	WIRE LOOP	3	4	5	6
6	52110001	线架组件 (四线)	WIRE FRAME ASSEMBLY (FOUR WIRES)	0	1	0	0
7	52095314	十字槽凹六角头螺栓M5×	CROSS RECESSED HEXAGON HEAD BOLT M	3	3	3	3
8	52005880	导线棒	WIRE ROD	1	1	1	1
9	52094414	十字盘头螺钉M4X14 (发黑)	CROSS PAN HEAD SCREW M4X14 (BLACK)	3	3	3	3
10	00404030	六角螺母M4	HEX NUT M4	4	4	4	4
11	52094425	十字盘头螺钉M4X25	CROSS PAN HEAD SCREW M4X25	1	1	1	1
12	52005890	导线棒固定块	WIRE ROD FIXING BLOCK	1	1	1	1
13	52005920	过线棒	WIRE ROD	0	0	1	0
14	52005910	过线棒	WIRE ROD	0	1	0	0
15	52005960	过线棒	WIRE ROD	1	0	0	0
16	52005840	套	SET	1	1	1	1
17	52005830	下管	DOWN TUBE	1	1	1	1

18	52003320	下管垫圈	DOWN TUBE GASKET	2	2	2	2
19	52005850	橡胶垫圈	RUBBER GASKET	2	2	2	2
20	10568430	六角螺母M16X1.5	HEX NUT M16X1.5	1	1	1	1
21	52005740	导线架 (短)	LEAD FRAME (SHORT)	0	4	2	0
22	10425640	弹簧垫圈	SPRING WASHER	3	4	5	6
23	52005810	线托棒	WIRE ROD	3	4	5	6
24	52005800	线圈定位套	COIL POSITIONING SLEEVE	3	4	5	6
25	52005790	线盘垫	SPOOL PAD	3	4	5	6
26	52005780	线盘	REEL	3	4	5	6
27	52096325	十字槽凹穴六角头螺栓M6×	CROSS RECESSED HEXAGON HEAD BOLT M	2	4	4	4
28	52005750	导线环	WIRE LOOP	2	4	4	4
29	52005930	导线架 (长)	LEAD FRAME (LONG)	2	0	2	4
30	52005770	M6六角法兰面螺母	M6 HEXAGON FLANGE NUTS	2	4	4	4
31	52005900	导线棒固定块	WIRE ROD FIXING BLOCK	1	1	1	1
32	52003370	平垫圈5	FLAT WASHER 5	1	1	1	1
33	52005950	支架	BRACKET	1	1	1	1
34	52003380	十字槽沉头木螺钉M4X20	CROSS RECESSED COUNTERSUNK HEAD WC	1	1	1	1
35	52110002	线架组件 (五线)	WIRE FRAME ASSEMBLY (FIVE WIRES)	0	0	1	0
36	52110003	线架组件 (六线)	WIRE FRAME ASSEMBLY (SIX WIRES)	0	0	0	1
37	52007460	过线棒	WIRE ROD	0	0	0	1

48

24. 托盘部件/Part For Semi-Submerged Installation

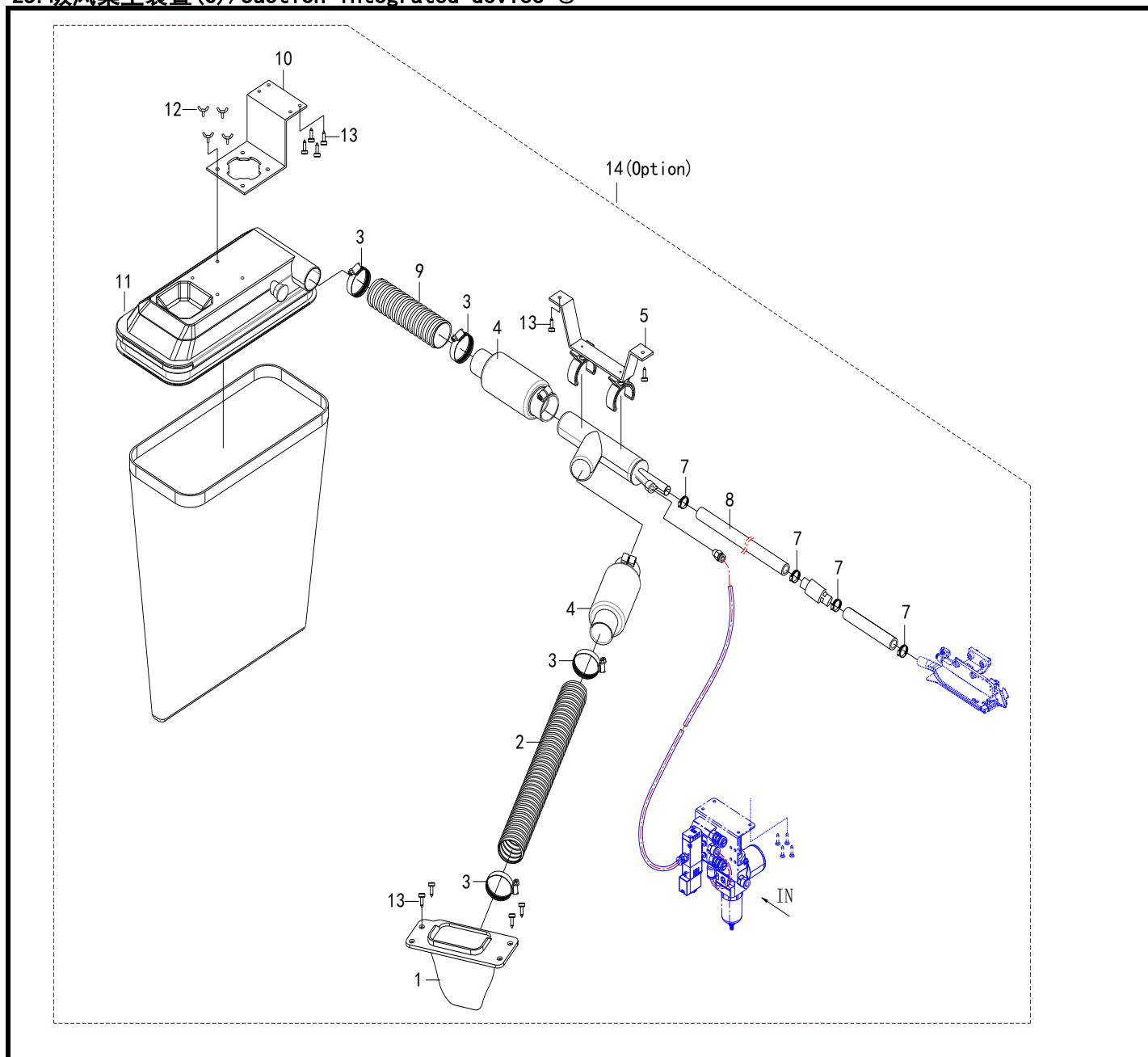


24. 托盘部件/Part For Semi-Submerged Installation

NO	零部件号	零部件名称	NAME OF PARTS	数量 (Number)			
				三线	四线	五线	六线
				three-thread	four-thread	five-thread	six-thread
1	52003530	托盘固定螺母	TRAY FIXING NUT	4	4	4	4
2	52003550	托盘防震连接垫	TRAY SHOCK CONNECTION PAD	4	4	4	4
3	52003450	托盘	TRAY	1	1	1	1
4	52003460	托架	BRACKET	2	2	2	2
5	52003470	大垫圈	LARGE WASHER	8	8	8	8
6	52003480	防震套	SHOCKPROOF CASE	4	4	4	4
7	00508070	平垫圈 L8	FLAT WASHER L8	8	8	8	8
8	52003490	托盘内六角螺钉	TRAY SOCKET HEAD CAP SCREWS	4	4	4	4
9	52006420	落料斗组件	HOPPER ASSEMBLY	1	1	1	1
10	52003390	十字槽沉头自攻螺钉M4×16	CROSS RECESSED COUNTERSUNK HEAD TAPPING SCREW M4×16	4	4	4	4
11	52003500	排料槽座	DISCHARGE CHUTE SEAT	1	1	1	1
12	52003510	排料槽 I	DISCHARGE CHUTE I	1	1	1	1
13	52003520	排料槽 II	DISCHARGE CHUTE II	1	1	1	1
14	52003400	十字槽盘头自攻螺钉M4×16	CROSS RECESSED PAN HEAD TAPPING SCREW M4×16	4	4	4	4
15	52003410	平垫圈5	FLAT WASHER 5	4	4	4	4
16	52094209	内六角螺栓M4X9 (发黑)	HEXAGON SOCKET HEAD BOLT M4X9 (BLACK)	4	4	4	4
17	52110150	托盘固定螺栓组件	PALLET FIXING BOLT ASSEMBLY	4	4	4	4
18	52010500	托盘组件	TRAY ASSEMBLY	1	1	1	1

50

25. 吸风集尘装置(C)/Suction integrated device ©



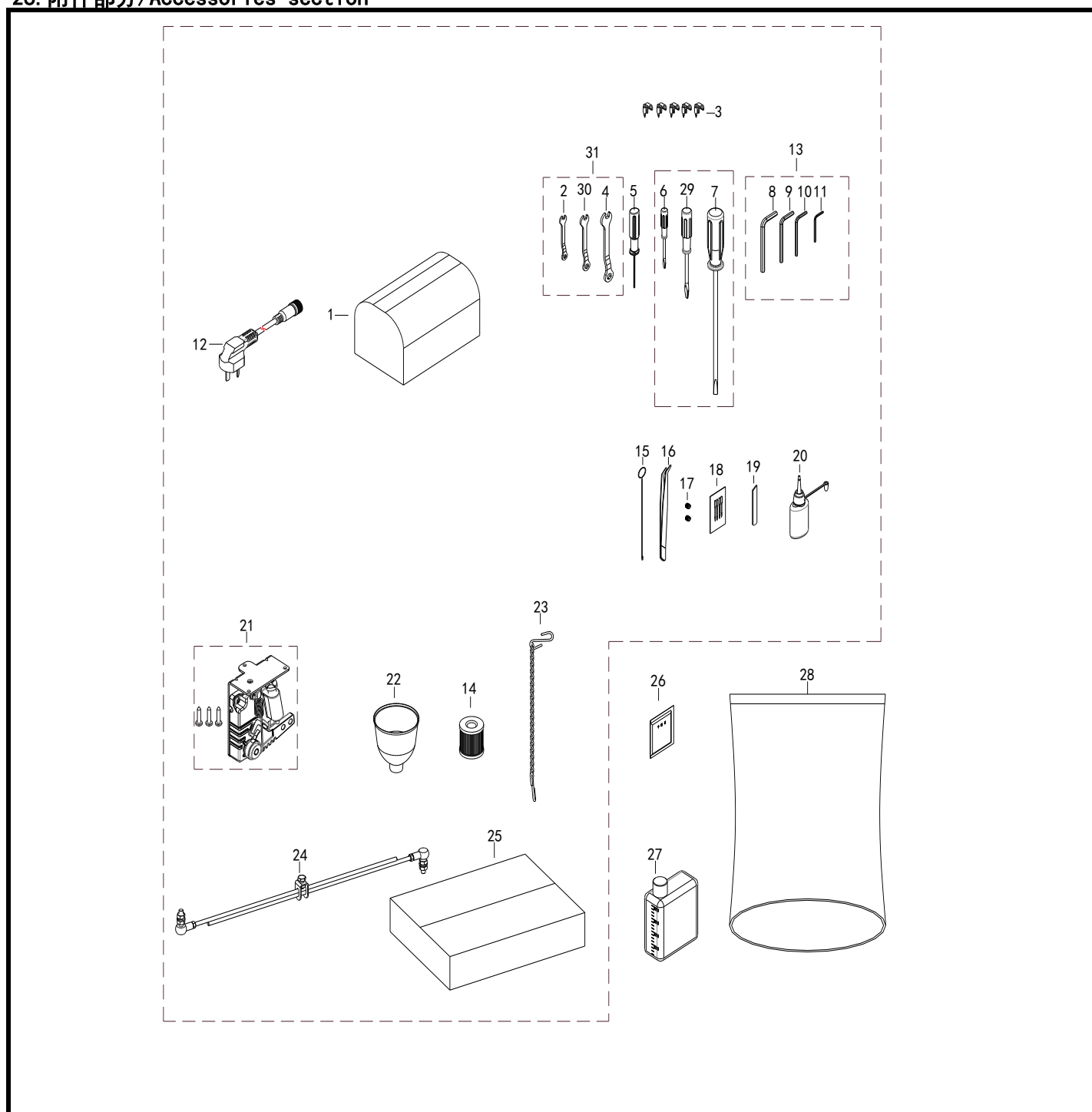
51

25. 吸风集尘装置 (C) / Suction integrated device ©

NO	零部件号	零部件名称	NAME OF PARTS	数量 (Number)			
				三线	四线	五线	六线
				three-thread	four-thread	five-thread	six-thread
1	52110041	吸屑漏斗组	CHIP SUCTION FUNNEL SET	1	1	1	1
2	52110037	螺旋管40X250	SPIRAL TUBE 40X250	1	1	1	1
3	52110026	大喉箍	LARGE THROAT HOOP	4	4	4	4
4	52110025	大消音器	BIG MUFFLER	2	2	2	2
5	52110029	真空发生器支架	VACUUM EJECTOR HOLDER	1	1	1	1
6	52110031	真空发生器	VACUUM GENERATOR	1	1	1	1
7	52110036	小喉箍	SMALL THROAT HOOP	4	4	4	4
8	52110035	刀组管	KNIFE SET TUBE	1	1	1	1
9	52110030	螺旋管Φ40X150	SPIRAL TUBE Φ40X150	1	1	1	1
10	52110033	Z型安装支架	Z MOUNTING BRACKET	1	1	1	1
11	52110034	集尘袋	DUST BAG	1	1	1	1
12	52110039	羊角螺丝	CLAW SCREW	4	4	4	4
13	52110038	自攻螺丝	SELF-TAPPING SCREWS	10	10	10	10
14	52110020	气动集尘装置	PNEUMATIC DUST COLLECTOR	1	1	1	1

52

26. 附件部分/Accessories section

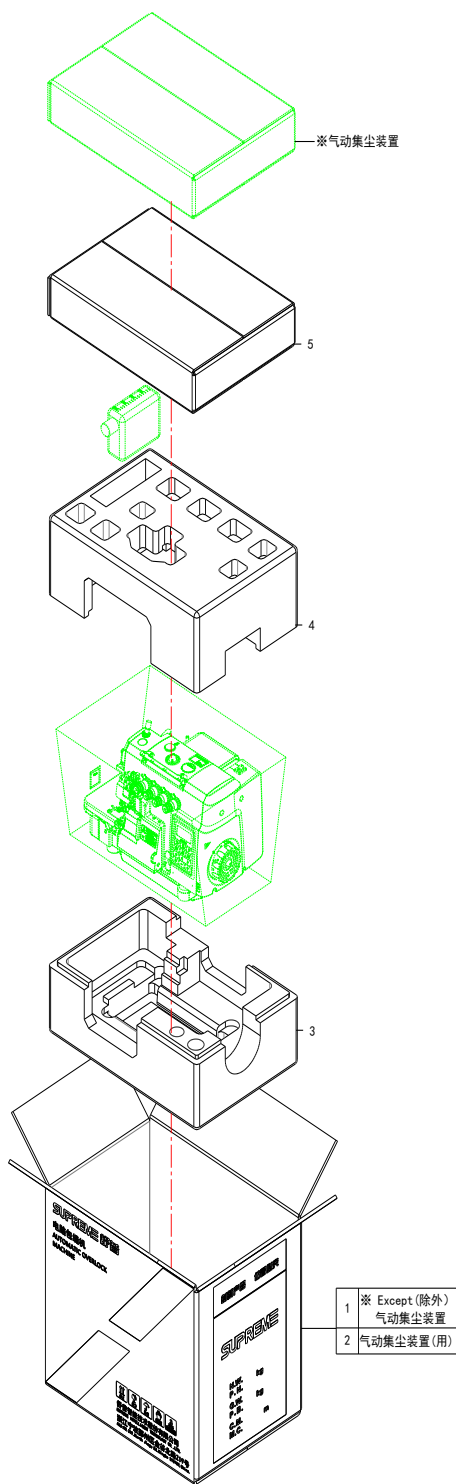


53

26. 附件部分/Accessories section

NO	零部件号	零部件名称	NAME OF PARTS	数量 (Number)			
				三线	四线	五线	六线
				three- thread	four- thread	five- thread	six- thread
1	52006090	机头罩	HOOD	1	1	1	1
2	52006590	扳手 (6mm)	WRENCH (6MM)	1	1	1	1
3	10103670	U形卡钉10X20	U-SHAPED STAPLE 10X20	5	5	5	5
4	52006050	扳手 (8mm)	WRENCH (8MM)	1	1	1	1
5	52005990	直柄内六角螺丝刀 (1.5mm)	HEXAGON SOCKET HEAD SCREWDRIVER W	1	1	1	1
6	52008010	一字螺丝刀 (小)		1	1	1	1
7	52007990	一字螺丝刀 (大)		1	1	1	1
8	10103640	内六角扳手5	ALLEN KEY 5	1	1	1	1
9	10103630	内六角扳手4	ALLEN KEY 4	1	1	1	1
10	10103620	内六角扳手3	ALLEN KEY 3	1	1	1	1
11	10103600	内六角扳手2	ALLEN KEY 2	1	1	1	1
12	XXXXXXXX	电源线	POWER CABLE	1	1	1	1
13	52110190	内六角扳手组	ALLEN WRENCH SET	1	1	1	1
14	52002790	滤油器	OIL FILTER	1	1	1	1
15	52006060	线勾	LINE HOOK	0	0	1	1
16	52006080	镊子	TWEEZERS	1	1	1	1
17	52093103	内六角平端紧定螺钉M3X3	HEXAGON SOCKET FLAT END SET SCREW	2	2	2	2
18	XXXXXXXX	机针	NEEDLE	4	4	4	4
19	XXXXXXXX	下刀	UNDER THE KNIFE	1	1	1	1
20	52005090	硅油壶		1	1	1	1
21	52006410	调速器	GOVERNOR	1	1	1	1
22	52005940	漏斗	FUNNEL	1	1	1	1
23	52006100	脚踏板链	PEDAL CHAIN	1	1	1	1
24	52006280	拉杆组件	TIE ROD ASSEMBLY	1	1	1	1
25	52003610	附件盒	ACCESSORY BOX	1	1	1	1
26	10536280	50克干燥剂	50 G DESICCANT	1	1	1	1
27	52006070	油壶 (大)	OIL CAN (LARGE)	1	1	1	1
28	52003800	机头塑料袋	MACHINE HEAD PLASTIC BAG	1	1	1	1
29	52008000	一字螺丝刀 (中)		1	1	1	1
30	52006230	扳手 (7mm)	WRENCH (7MM)	1	1	1	1
31	52110180	扳手组	WRENCH SET	1	1	1	1

27. 包装部分/Packaging part

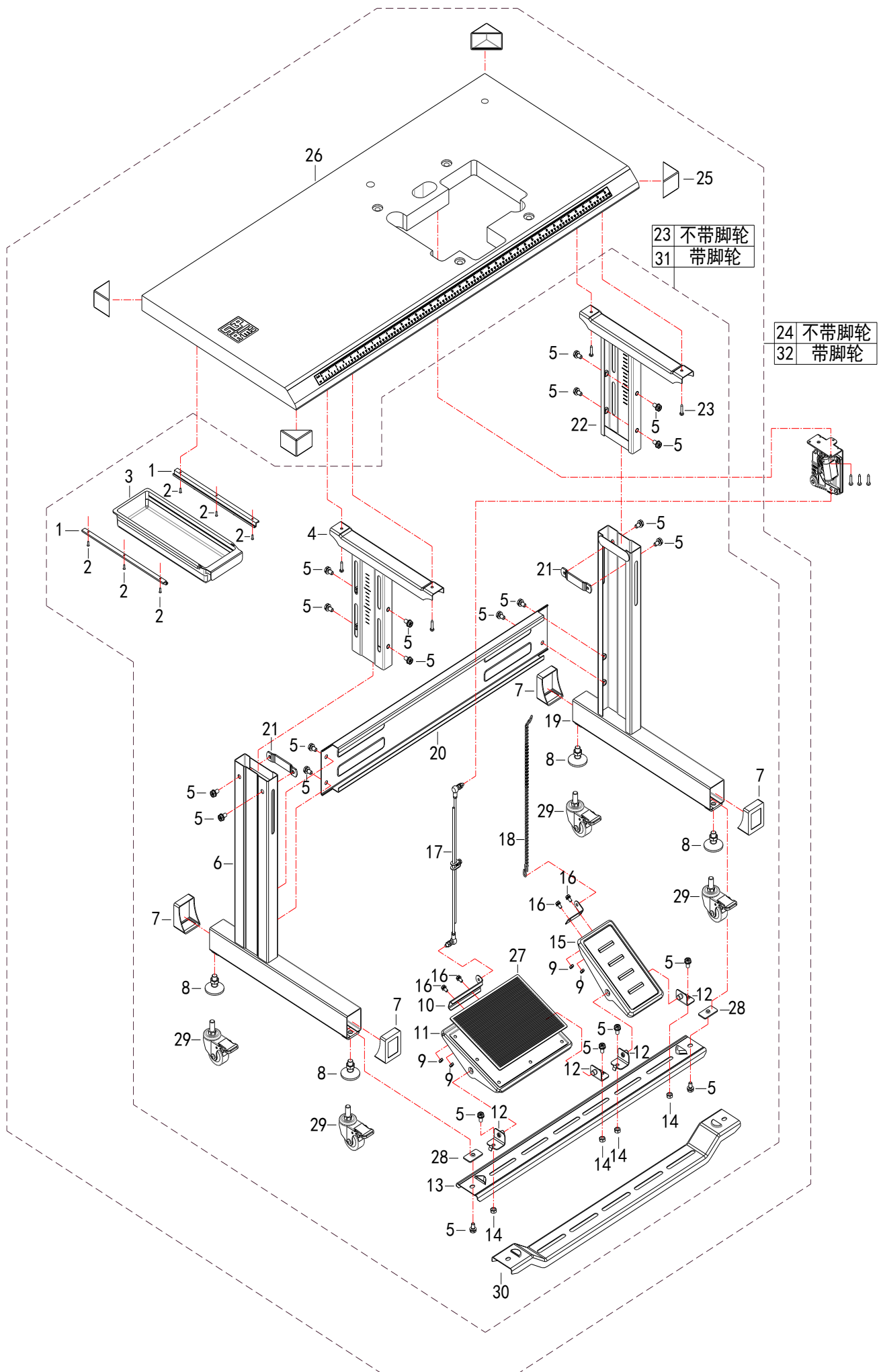


55

27. 包装部分/Packaging part

NO	零部件号	零部件名称	NAME OF PARTS	数量 (Number)			
				三线 three	四线 four	五线 five	六线 six
1	52004810	纸箱	CARTON	1	1	1	1
2	52004811	纸箱	CARTON	1	1	1	1
3	52004800	保利龙下座	POLY DRAGON DOWN	1	1	1	1
4	52004790	保利龙上座	POLY DRAGON TAKES THE SEAT	1	1	1	1
5	52003610	附件盒	ACCESSORY BOX	1	1	1	1

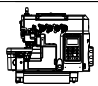

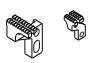





28. 机架部件/Machine Stand Table Assy








28. 机架部件/Machine Stand Table Assy

NO	零部件号	零部件名称	NAME OF PARTS	数量 (Number)			
				三线 three	四线 four	五线 five	六线 six
1	52006320	零件导轨	PART RAIL	2	2	2	2
2	52003420	十字槽沉头木螺钉M3X12	CROSS RECESSED COUNTERSUNK HEAD WOOD SCREW	6	6	6	6
3	52006330	零件盒	PARTS BOX	1	1	1	1
4	52005660	机架上节左	RACK UPPER SECTION LEFT	1	1	1	1
5	52098316	十字槽凹穴六角头螺栓M8×	CROSS RECESSED HEXAGON HEAD BOLT M8	22	22	22	22
6	52005670	机架下节左	RACK LOWER SECTION LEFT	1	1	1	1
7	52006430	机架座套	RACK SEAT COVER	4	4	4	4
8	52006340	支座	SUPPORT	4	4	4	4
9	00406050	螺母M6	NUT M6	4	4	4	4
10	52006270	踏板连接件 (大)	PEDAL CONNECTOR (LARGE)	1	1	1	1
11	52006380	脚踏板 (大)	FOOT PEDAL (LARGE)	1	1	1	1
12	52006440	踏板固定件	PEDAL MOUNT	4	4	4	4
13	52006350	踏板安装板	PEDAL MOUNTING PLATE	1	1	1	1
14	00408060	六角螺母 M8 (厚6.5mm)	HEX NUT M8 (THICKNESS 6.5MM)	4	4	4	4
15	52006370	脚踏板 (小)	FOOT PEDAL (SMALL)	1	1	1	1
16	52096312	十字槽凹穴六角头螺栓M6×	CROSS RECESSED HEXAGON HEAD BOLT M6	4	4	4	4
17	52006280	拉杆组件	TIE ROD ASSEMBLY	1	1	1	1
18	52006100	脚踏板链	PEDAL CHAIN	1	1	1	1
19	52005700	机架下节右	RACK LOWER SECTION RIGHT	1	1	1	1
20	52006360	机架连接板	RACK CONNECTION BOARD	1	1	1	1
21	52006300	机架固定板	RACK MOUNT PLATE	2	2	2	2
22	52005690	机架上节右	RACK UPPER SECTION RIGHT	1	1	1	1
23	52110161	机架组件	RACK COMPONENTS	1	1	1	1
24	52110160	机架台板组件	RACK PLATE COMPONENTS	1	1	1	1
25	52006400	台板护套	PLATEN SHEATH	4	4	4	4
26	52006260	台板	PLATEN	1	1	1	1
27	52006390	脚踏板垫 (大)	FOOT PEDAL PAD (LARGE)	1	1	1	1
28	52006310	踏板安装板固定板	PEDAL MOUNTING PLATE FIXING PLATE	2	2	2	2
29	52006341	脚轮		4	4	4	4
30	52006351	踏板安装板		1	1	1	1
31	52110162	机架组件		1	1	1	1
32	52110163	机架台板组件		1	1	1	1

29. 标准度量零件表/Standard Metric Parts List

 机型 MACHINE TYPE/SPEC	间距 GAUCE		 针板 NEEDLE PLATE	 主送齿组件 MAIN FEED DOG ASSM.		 差动传动齿 DIFF. FEED DOG	 压脚组件 PRESSER FOOT ASSM.	 上钩针 UPPER LOOPER	 针留 NEEDLE HOLDER	 针号 NEEDLE
	NG	SW		52003340	52000680					
S5F-3-03/333	0	4	52030040	52003360	52003350	52031040	52001170(2)	52000890	52002880 DCX27#11	
S5F-4-03/333	2	4	52040240	52003360	52003350	52041240	52001240(5)	52001390	52002880 DCX27#11	
	3	4	52040341	52003360	52003350	52041341	52001240(5)	52001390	52002880 DCX27#11	
S5F-4-H04/445	2	4	52040241	52003120	52003220	52041240	52003690(4)	52001390	10601070 DCX27#14	
				52003130 52000680						
S5F-4-53/333	2	4	52040240	52003360	52003350	52041241	52001240(5)	52001390	52002880 DCX27#11	
				52003340 52000680						
S5F-4-H54/433	2	4	52040240	52003360	52003350	52041241	52003680(3)	52001390	10601070 DCX27#14	
				52003340 52000680						
S5F-4-H04/433	2	4	52040240	52003360	52003350	52041240	52003680(3)	52001390	10601070 DCX27#14	
				52003340 52000680						
S5F-5-03/333	3	4	52050340	52005310	52003430	52051350	52001240(5)	52003330	10601070 DCX27#14	
				52000670 52000680						
	3	5	52050350	52005310	52003430	52051350	52001240(5)	52003330	10601070 DCX27#14	
S5F-5-A04/435	5	5	52050551	52000670 52000680	52000690	52051550	52001240(5)	52004610	10601070 DCX27#14	
				52000670 52000680						
	5	6	52050561	52003080	52003110	52051551	52003680(3)	52004611	52007230 DCX27#18	
S5F-5-HA04/435	5	5	52050551	52003090 52003100	52003110	52051551	52003680(3)	52004611	52007230 DCX27#18	
				52003080						
	5	6	52050561	52003090 52003100	52003110	52051551	52003680(3)	52004611	52007230 DCX27#18	
S5F-6-03/333	3x2	4	52060324	52005310	52000690	52061324	52001240(5)	52007520	52002880 DCX27#11	
				52000670 52000680						
	5x2	4	52060524	52005310	52000690	52061524	52001240(5)	52007521	52002880 DCX27#11	
S5F-6-A04/435	5x3	4	52060534	52003080	52003110	52061534	52003680(3)	52007522	52007230 DCX27#18	
				52003090 52003100						
S5F-6-HA04/435	5x3	4	52060534	52003080	52003110	52061534	52003680(3)	52007522	52007230 DCX27#18	

 机型 MACHINE TYPE/SPEC	间距 GAUCE		 上刀 UPPER KINIFE	 下刀 LOWER KINIFE	 下钩针 LOWER LOOPER	 环钩针 CHAINSTITCH LOOPER	弯针护针 OVERLOCK NEEDLE GUARO		机针护针 CHAINSTITCH NEEDLE	
	NG	SW					前 FRONT	后 REAR	前 FRONT	后 REAR
S5F-3-03/333	0	4	52001010	52001320	52002690	\	\	52003910	52001300	\
S5F-4-03/333	2	4	52001010	52001320	52002690	\	\	52003910	52001300	\
	3	4	52001010	52001320	52002690	\	\	52003910	52001300	\
S5F-4-H04/445	2	4	52001010	52001320	52003660	\	\	52003910	52001300	\
S5F-4-53/333	2	4	52001010	52001320	52002690	\	\	52003910	52001300	\
S5F-4-H54/433	2	4	52001010	52001320	52002690	\	\	52003910	52001300	\
S5F-4-H04/433	2	4	52001010	52001320	52002690	\	\	52003910	52001300	\
S5F-5-03/333	3	4	52001010	52001320	52002690	52000840	52001400	52003910	52001301	52001290
	3	5	52001010	52001320	52002690	52000840	52001400	52003910	52001301	52001290
	5	5	52001010	52001320	52002690	52000840	52001400	52003910	52001301	52001290
S5F-5-A04/435	5	5	52003270	52003280	52002690	52000840	52001400	52003910	52001301	52001290
	5	6	52003270	52003280	52002690	52000840	52001400	52003910	52001301	52001290
S5F-5-HA04/435	5	5	52003270	52003280	52002690	52000840	52001400	52003910	52001301	52001290
	5	6	52003270	52003280	52002690	52000840	52001400	52003910	52001301	52001290
S5F-6-03/333	3x2	4	52001010	52001320	52002690	52000840	52001400	52003910	52001301	52001290
	5x2	4	52001010	52001320	52002690	52000840	52001400	52003910	52001301	52001290
S5F-6-A04/435	5x3	4	52003270	52003280	52002690	52000840	52001400	52003910	52001301	52001290
S5F-6-HA04/435	5x3	4	52003270	52003280	52002690	52000840	52001400	52003910	52001301	52001290



零件手册
PARTS BOOK