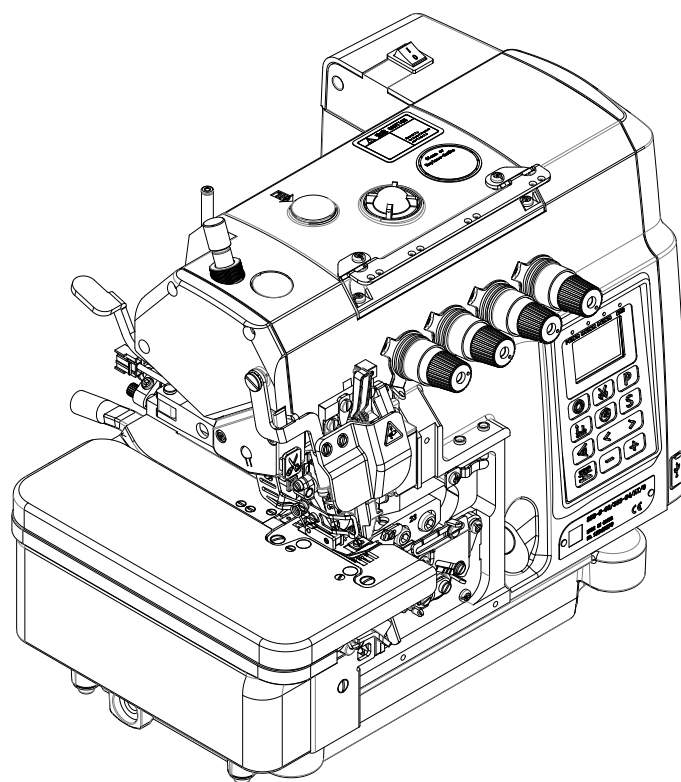
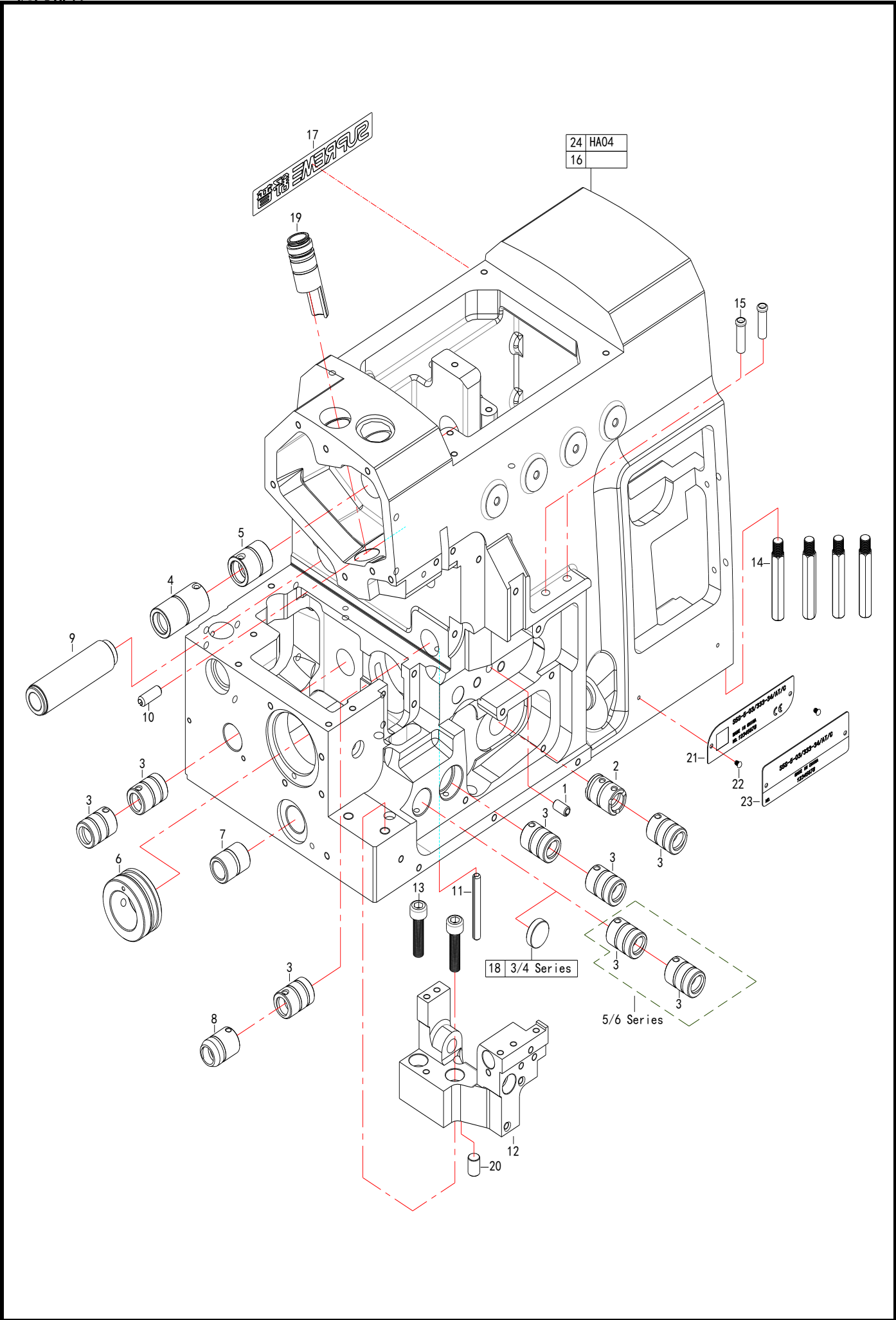


在使用机器之前请阅读本零件手册。
请将本零件手册放在便于查阅的地方保管。
Please read this parts book before using the machine.
Please keep this parts book within easy reach for quick reference.

S5F智能超高速电脑包缝机 S5F Intelligent Super High-Speed Step Computerized Overlock



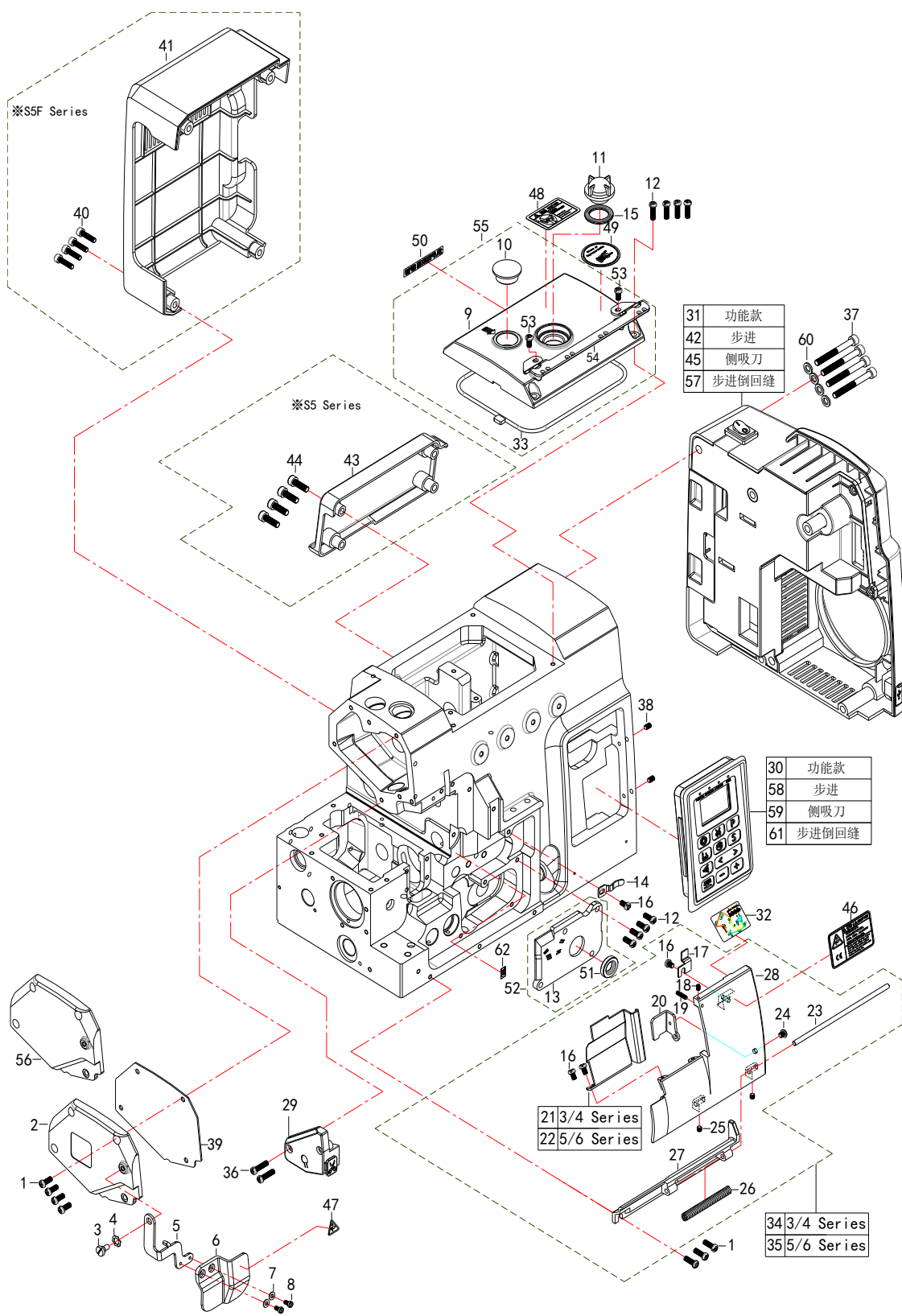
1机壳部分/1. Chassis section



1. 机壳部分/Chassis section

NO	零部件号	零部件名称	NAME OF PARTS	数量 (Number)			
				三线	四线	五线	六线
				three-thread	four-thread	five-thread	six-thread
1	00305100	弹性圆柱销	spring pin	1	1	1	1
2	52000340	上弯针后轴套	Upper bending needle rear shaft sleeve	1	1	1	1
3	52000310	铜套	bronze bushing	6	6	8	8
4	52000320	上轴左套	Left sleeve of upper shaft	1	1	1	1
5	52000330	上轴右套	Upper shaft right sleeve	1	1	1	1
6	52000350	主轴套筒	Spindle sleeve	1	1	1	1
7	52000360	差动轴套	Differential shaft sleeve	1	1	1	1
8	52000370	上刀轴左套	Left sleeve of upper blade shaft	1	1	1	1
9	52000381	压脚轴套筒	Compression foot shaft sleeve	1	1	1	1
10	52004070	弹性圆柱销 ϕ 5x16	Elastic cylindrical pin ϕ 5x16	1	1	1	1
11	52004130	弹性圆柱销 ϕ 4x40	Elastic cylindrical pin ϕ 4x40	1	1	1	1
12	52004950	下刀座	Lower knife holder	1	1	1	1
13	01206251	内六角螺栓 (黑色) M6X25	Hexagonal socket bolt (black) M6X25	2	2	2	2
14	52003720	六角立柱M6X48 (发黑)	Hexagonal pillar M6X48 (blackened)	4	4	4	4
15	52002810	穿线套	Threading sleeve	2	2	2	2
16	52000000	车壳	car body	1	1	1	1
17	5261Y190	透明标签	transparent label	1	1	1	1
18	52004670	油封	oil seal	1	1	0	0
19	52001790	压杆套筒	Compression rod sleeve	1	1	1	1
20	52004870	圆柱销 ϕ 7x10	Cylindrical pin ϕ 7x10	1	1	1	1
21	52002950	铭牌	nameplate	1	1	1	1
22	52002960	铆钉	rivet	2	2	2	2
23	10942000	铭牌	nameplate	1	1	1	1
24	52000003	车壳	car body	0	0	1	1

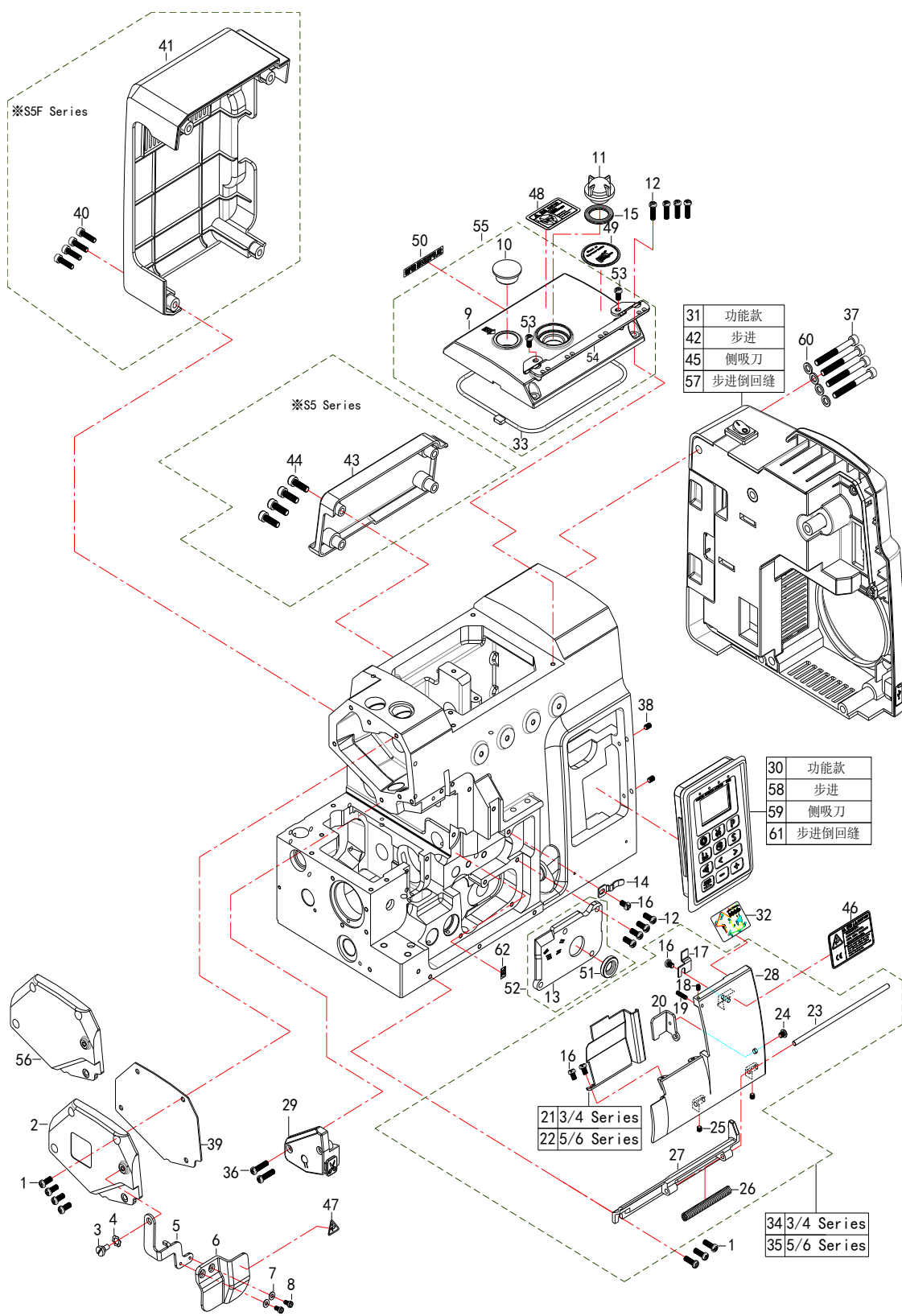
2. 机壳机罩部件 (1) / Chassis and hood components (1)



2. 机壳机罩部件 (1) /Chassis and hood components (1)

NO	零部件号	零部件名称	NAME OF PARTS	数量 (Number)			
				三线	四线	五线	六线
				three- thread	four- thread	five- thread	six- thread
1	52094410	十字盘头螺钉M4X10 (发黑)	Cross pan head screw M4X10 (blackened)	7	7	7	7
2	52001990	侧盖	side cover	1	1	1	1
3	52003790	段螺钉M4	Segment screw M4	1	1	1	1
4	52003730	波形弹性垫圈6	Wave elastic washer 6	1	1	1	1
5	52002000	剪线开关扳手	Wire cutting switch wrench	1	1	1	1
6	52002010	针杆防护罩	Needle bar protective cover	1	1	1	1
7	52007260	平垫圈3	Flat washer 3	2	2	2	2
8	52093906	一字平头螺钉M3X6 (发黑)	Flat head screw M3X6 (blackened)	2	2	2	2
9	52002440	上盖	upper cover	1	1	1	1
10	52002470	油封	oil seal	1	1	1	1
11	52002460	油镜	oil immersion lens	1	1	1	1
12	52094412	十字盘头螺钉M4X12 (发黑)	Cross pan head screw M4X12 (blackened)	8	8	8	8
13	52004060	上钩针盖板	Upper crochet hook cover plate	1	1	1	1
14	52003950	前罩板卡簧	Front cover board spring	1	1	1	1
15	52000540	油窗垫	Oil window gasket	1	1	1	1
16	52094406	十字盘头螺钉M4X6 (发黑)	Cross pan head screw M4X6 (blackened)	4	4	4	4
17	52002650	锁紧板	Locking plate	1	1	1	1
18	52093103	内六角平端紧定螺钉M3X3	Internal hexagon flat end set screw M3X3	1	1	1	1
19	52093112	内六角平端紧定螺钉M3X12	Internal hexagon flat end set screw M3X12	1	1	1	1
20	52002640	锁紧板	Locking plate	1	1	1	1
21	52002660	左前盖 (3/4线)	Left front cover (3/4 line)	1	1	0	0
22	52002661	左前盖 (5线)	Left front cover (5-wire)	0	0	1	1
23	52002630	铰链销	hinge pin	1	1	1	1
24	52093905	一字平头螺钉M3X5 (发黑)	Flat head screw M3X5 (blackened)	1	1	1	1
25	00804040	内紧定螺钉M4X4	Internal tightening screw M4X4	2	2	2	2
26	52002620	铰链销弹簧	Hinge pin spring	1	1	1	1
27	52002670	铰链	hinge	1	1	1	1
28	52000420	右前盖	Right front cover	1	1	1	1
29	52002030	剪线开关组件	Wire cutting switch component	1	1	1	1
30	52002616	薄膜键操作面板组件 (功能)	Thin film key operation panel component (function)	1	1	1	1
31	52002380	控制器一体	Integrated controller	1	1	1	1
32	XXXXXXXX	穿线图	Wiring diagram	1	1	1	1
33	52003890	密封垫	gasket	1	1	1	1
34	52010020	左前盖组件 (3/4线)	Left front cover component (3/4 line)	1	1	0	0
35	52010021	左前盖组件 (5线)	Left front cover component (5-wire)	0	0	1	1
36	52094416	十字盘头螺钉M4X16 (发黑)	Cross pan head screw M4X16 (blackened)	2	2	2	2
37	52095245	内六角螺栓M5X45 (发黑)	Internal hexagon bolt M5X45 (blackened)	4	4	4	4
38	00804080	内紧定螺钉M4X8	Internal tightening screw M4X8	2	2	2	2
39	52002050	金属发泡垫片	Metal foam gasket	1	1	1	1
40	52094916	一字平头螺钉M4X16 (发黑)	Flat head screw M4X16 (blackened)	4	4	4	4
41	52002200	后盖	back cover	1	1	1	1
42	52002381	控制器一体 (步进)	Integrated controller (stepper)	1	1	1	1
43	52002220	后盖	back cover	1	1	1	1
44	01205161	内六角螺栓M5X16 (黑色)	Internal hexagon bolt M5X16 (black)	4	4	4	4
45	52002382	控制器一体 (侧吸刀)	Integrated controller (side suction knife)	1	1	0	0
46	52002110	操作注意标签	Operation attention label	1	1	1	1
47	15200170	警告标示 (三角形)	Warning sign (triangle)	1	1	1	1
48	52002120	操作注意标签	Operation attention label	1	1	1	1
49	52002100	保养标签	Maintenance label	1	1	1	1
50	5261Y190	透明标签	transparent label	1	1	1	1
51	52004230	油封	oil seal	1	1	1	1
52	52010490	上钩针盖板组件	Upper crochet cover assembly	1	1	1	1
53	52094408	十字盘头螺钉M4X8 (发黑)	Cross pan head screw M4X8 (blackened)	2	2	2	2
54	52002450	过线片	Wire strip	1	1	1	1
55	52010380	上盖组	Upper cover group	1	1	1	1
56	52001991	侧盖 (中性)	Side cover (neutral)	1	1	1	1
57	52002384	控制器一体 (步进倒回缝)	Integrated controller (step back seam)	1	1	0	0

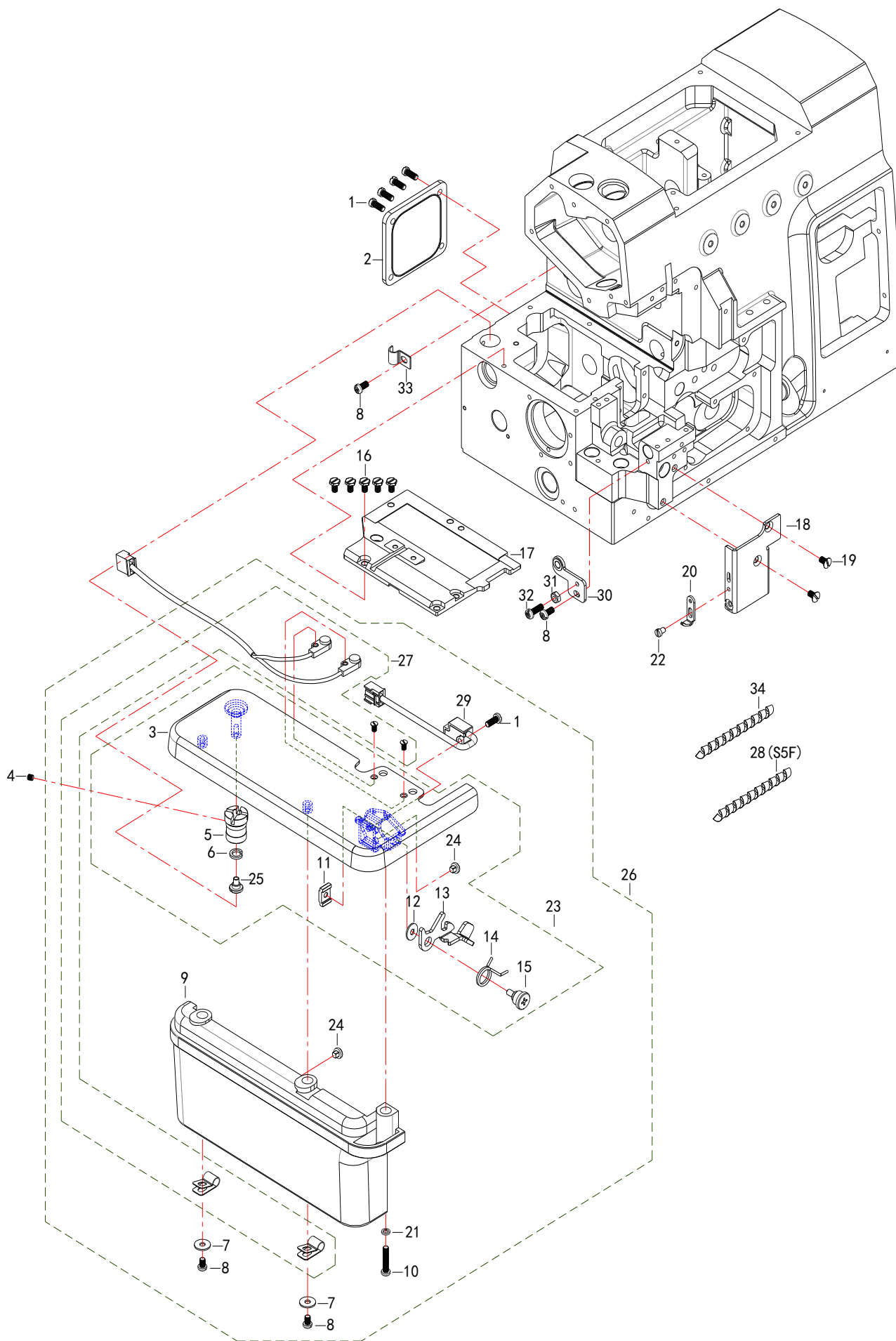
2. 机壳机罩部件 (1) / Chassis and hood components (1)



2. 机壳机罩部件 (1) /Chassis and hood components (1)

NO	零部件号	零部件名称	NAME OF PARTS	数量 (Number)			
				三线	四线	五线	六线
				three- thread	four- thread	five- thread	six- thread
58	52002617	薄膜键操作面板组件 (步进)	Membrane key operation panel component	1	1	1	1
59	52002619	薄膜键操作面板组件 (侧吸)	Thin film key operation panel component (side suction)	1	1	0	0
60	52007530	平垫圈6	Flat washer 6	4	4	4	4
61	52002613	薄膜键操作面板组件 (步进)	Membrane key operation panel component	1	1	0	0
62	52002090	标贴	label	1	1	1	1
63	52007500	标牌	sign	1	1	1	1
64	52007510	标牌	sign	1	1	1	1

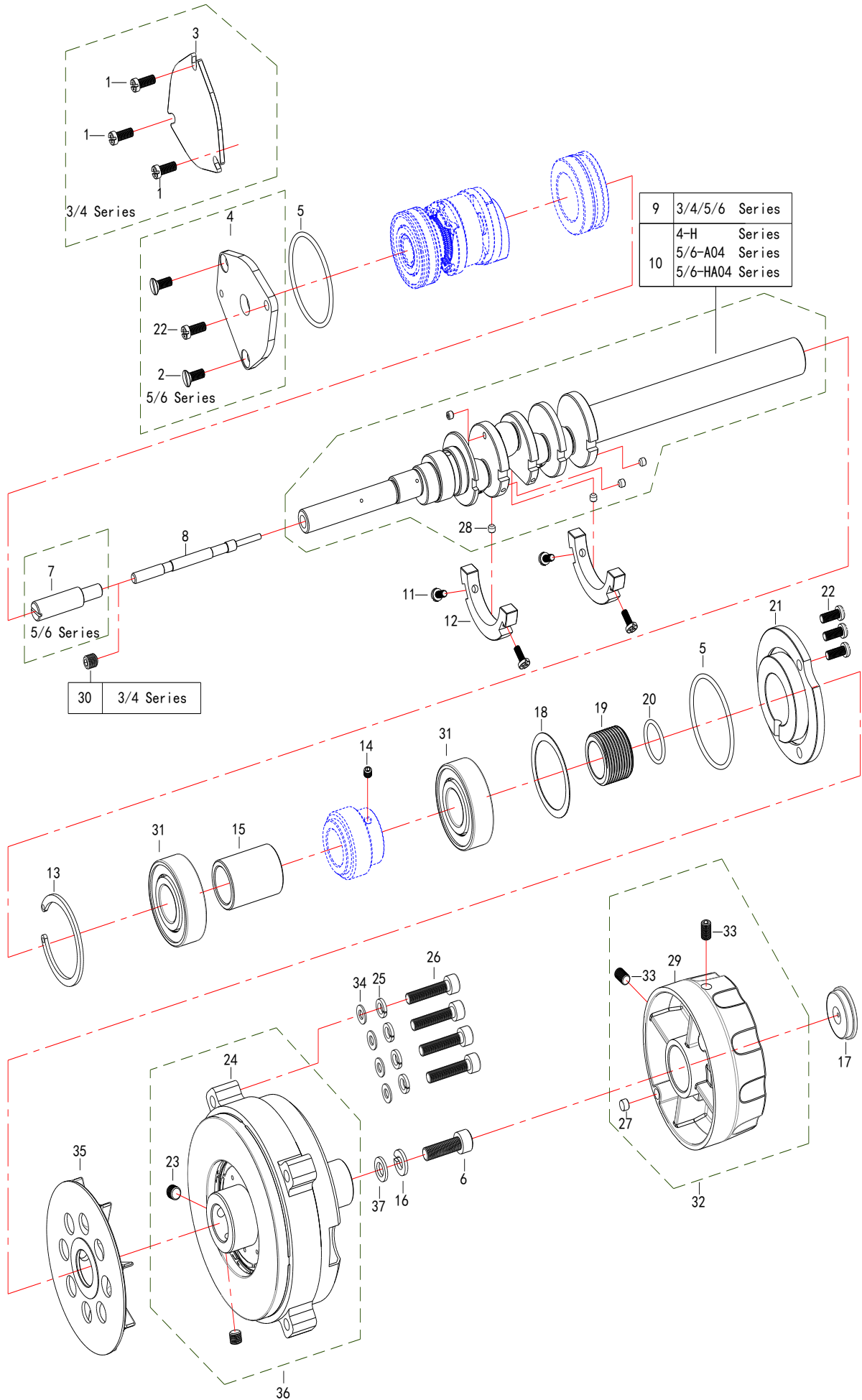
3. 机壳机罩部件 (2) / Chassis and hood components (2)



3. 机壳机罩部件 (2) /Chassis and hood components (2)

NO	零部件号	零部件名称	NAME OF PARTS	数量 (Number)			
				三线	四线	五线	六线
				three-thread	four-thread	five-thread	six-thread
1	52094410	十字盘头螺钉M4X10 (发黑)	Cross pan head screw M4X10 (blackened)	5	5	5	5
2	52001470	后窗板	Rear window panel	1	1	1	1
3	52002310	布板盖	Cloth board cover	1	1	1	1
4	00804040	内紧定螺钉M4X4	Internal tightening screw M4X4	1	1	1	1
5	52002340	衬套	bushing	1	1	1	1
6	52006990	弹簧垫圈6	Spring washer 6	1	1	1	1
7	02000111	垫圈4.3X12X1	Gasket 4.3X12X1	2	2	2	2
8	52094408	十字盘头螺钉M4X8 (发黑)	Cross pan head screw M4X8 (blackened)	4	4	4	4
9	52002250	缝台裙子	Sewing table skirt	1	1	1	1
10	52094420	十字盘头螺钉M4X20 (发黑)	Cross pan head screw M4X20 (blackened)	1	1	1	1
11	52002270	缝台卡簧固定板	Sewing table clamp spring fixing plate	1	1	1	1
12	00504111	垫圈黑色M4	Gasket black M4	1	1	1	1
13	52002300	缝台簧	Sewing table spring	1	1	1	1
14	52005000	扭簧	torsion spring	1	1	1	1
15	52002290	段螺钉	Segment screw	1	1	1	1
16	52094308	开槽外六角螺栓M4X8 (发黑)	Slotted hexagonal bolt M4X8 (blackened)	5	5	5	5
17	52001690	左上盖	Left upper cover	1	1	1	1
18	52001380	挡板	baffle	1	1	1	1
19	52094007	一字半沉头螺钉M4X7.5	Half countersunk head screw M4X7.5	2	2	2	2
20	52004290	下刀座前垫护板	Lower blade seat front cushion guard plate	1	1	1	1
21	00604001	弹簧垫圈M4	Spring washer M4	1	1	1	1
22	52092904	一字平头螺钉M3.5X4 (发黑)	Flat head screw M3.5X4 (blackened)	1	1	1	1
23	52110060	布板盖组件	Cloth cover component	1	1	1	1
24	52004210	减震垫	shock-absorbing pad	2	2	2	2
25	52004010	轴位螺钉	Axis screw	1	1	1	1
26	52010030	缝台组件	Sewing table components	1	1	1	1
27	52007280	光眼接收装置	Light eye receiving device	1	1	1	1
28	52007370	缠绕管 (透明) Φ8	Wrapped tube (transparent) Φ8	0.31m	0.31m	0.31m	0.31m
29	52002240	缝台安全开关	Sewing table safety switch	1	1	1	1
30	52001260	挡板	baffle	1	1	1	1
31	00404031	螺母黑色M4	Nut black M4	1	1	1	1
32	52094412	十字盘头螺钉M4X12 (发黑)	Cross pan head screw M4X12 (blackened)	1	1	1	1
33	52005640	线夹	wire clamp	1	1	1	1
34	52007370	缠绕管 (透明) Φ8	Wrapped tube (transparent) Φ8	0.16m	0.16m	0.16m	0.16m

4. 主轴部件/spindle assembly



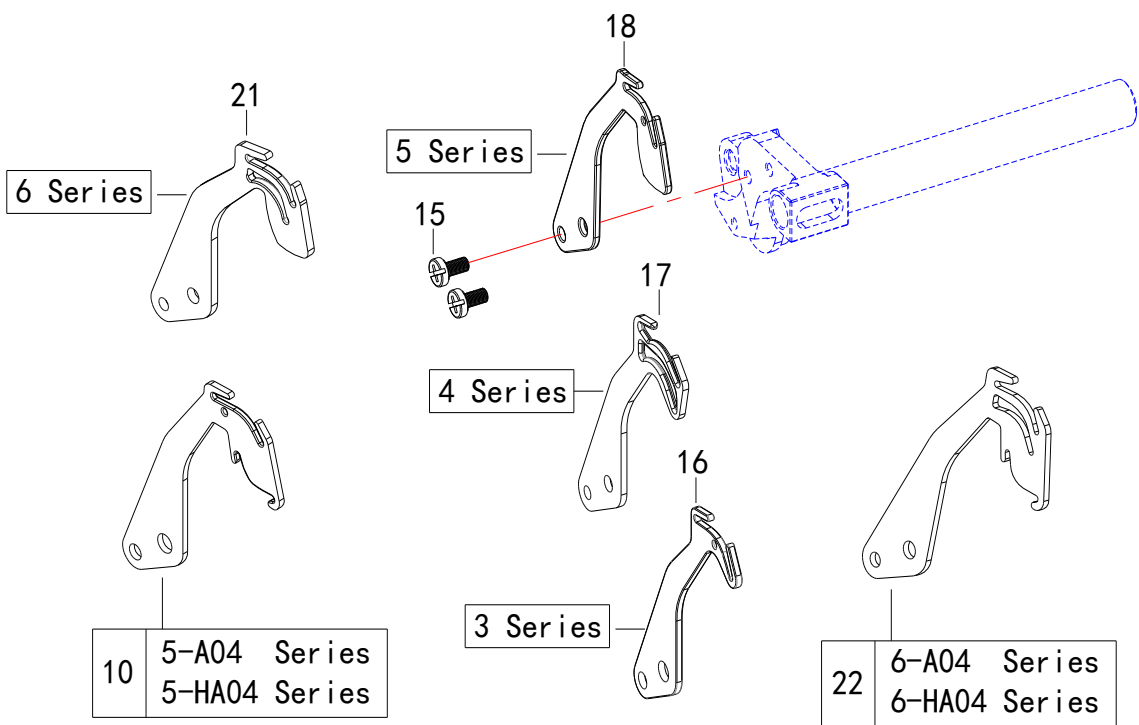
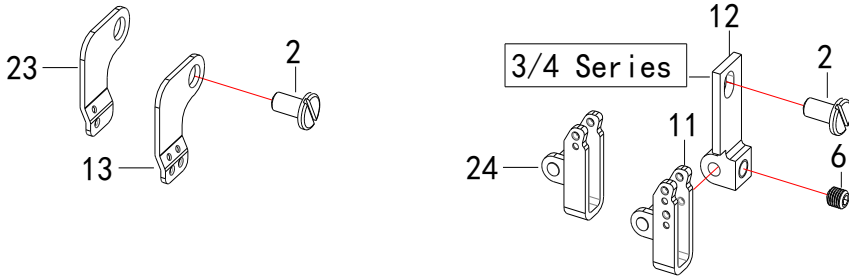
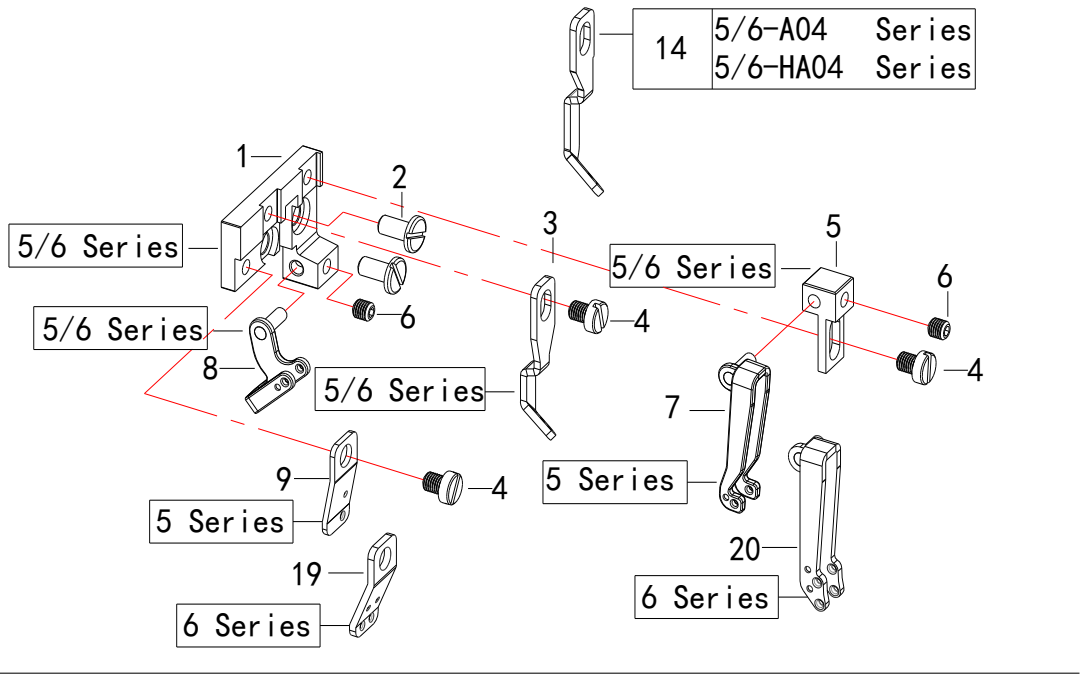
4. 主轴部件/spindle assembly

NO	零部件号	零部件名称	NAME OF PARTS	数量 (Number)			
				三线	四线	五线	六线
				three-thread	four-thread	five-thread	six-thread
1	52094408	十字盘头螺钉M4X8 (发黑)	Cross pan head screw M4X8 (blackened)	3	3	0	0
2	52094508	一字沉头螺钉M4X8 (发黑)	One letter countersunk head screw M4X8	0	0	2	2
3	52001530	前轴承盖 (3/4线)	Front bearing cover (3/4 line)	1	1	0	0
4	52001531	前轴承盖 (5线)	Front bearing cover (5-wire)	0	0	1	1
5	52000470	O型圈40x2	O-ring 40x2	2	2	2	2
6	52096230	内六角螺栓M6X30 (发黑)	Internal hexagon bolt M6X30 (blackened)	1	1	1	1
7	52000490	销	sales	0	0	1	1
8	52003070	销	sales	1	1	1	1
9	52000010	主轴	spindle	1	1	1	1
10	52000011	主轴	spindle	0	1	1	1
11	52093808	十字平头螺钉M3X8 (发黑)	Cross shaped flat head screw M3X8 (black)	4	4	4	4
12	52000480	平衡块	counterweight	2	2	2	2
13	52004180	卡簧	circlip	1	1	1	1
14	00805041	内紧定螺钉 (黑色) M5X4	Internal tightening screw (black) M5X4	1	1	1	1
15	52000390	主轴套	Spindle sleeve	1	1	1	1
16	52006990	弹簧垫圈6	Spring washer 6	1	1	1	1
17	52004320	橡胶塞	rubber stopper	1	1	1	1
18	52000460	波垫	Wave pad	1	1	1	1
19	52000430	主轴套	Spindle sleeve	1	1	1	1
20	52000440	O型密封圈	O-ring	1	1	1	1
21	52000450	右盖	RIGHT COVER	1	1	1	1
22	52094410	十字盘头螺钉M4X10 (发黑)	Cross pan head screw M4X10 (blackened)	3	3	4	4
23	00806050	内紧定螺钉M6X5	Internal tightening screw M6X5	2	2	2	2
24	52002360	电机	motor	1	1	1	1
25	10425640	弹簧垫圈5	Spring washer 5	4	4	4	4
26	52095225	内六角螺栓M5X25 (发黑)	Internal hexagon bolt M5X25 (blackened)	4	4	4	4
27	52006860	磁铁	magnet	1	1	1	1
28	52092103	内六角平端紧定螺钉M3.5X3	Internal hexagon flat end set screw M3.5X3	5	5	5	5
29	52004460	手轮	handwheel	1	1	1	1
30	52096108	内六角平端紧定螺钉M6X8 (发黑)	Hexagonal flat end set screw M6X8 (drop)	1	1	0	0
31	52005150	轴承	bearing	2	2	2	2
32	52010370	手轮组	Handwheel assembly	1	1	1	1
33	00805081	内紧定螺钉 (黑色) M5X8	Internal tightening screw (black) M5X8	2	2	2	2
34	02000107	平垫圈M5	Flat washer M5	4	4	4	4
35	52002190	散热风扇	cooling fan	1	1	1	1
36	52110080	电机组	Motor set	1	1	1	1
37	00506190	垫圈6.1X11X2	Gasket 6.1X11X2	1	1	1	1

5. 夹线部件/Wire clamping components

NO	零部件号	零部件名称	NAME OF PARTS	数量 (Number)			
				三线	四线	五线	六线
				three- thread	four- thread	five- thread	six- thread
1	52002540	夹线杆	Wire clamp rod	3	4	4	5
2	52003300	一字平头螺钉SM11/64 (40)	Flat head screw SM11/64 (40) (blackened)	1	0	0	0
3	52002550	羊毛垫	Wool mat	3	4	4	5
4	52002560	夹线片	tension disc	6	8	8	10
5	52002600	过线片	Wire strip	3	4	4	4
6	52002570	调压止动盖	Pressure regulating stop cover	3	4	4	5
7	52002580	压簧	compression spring	1	2	2	3
8	52002590	调压止动套	Pressure regulating stop sleeve	3	4	4	5
9	52005320	夹线器螺母	Wire clamp nut	3	4	4	5
10	52003060	羊毛垫	Wool mat	3	4	4	5
11	52005025	夹线组件 (绿)	Wire clip component (green)	0	1	1	1
12	52004840	压簧 (细)	Compression spring (thin)	2	2	2	3
13	52002080	压簧	compression spring	0	2	2	2
14	52005020	夹线组件 (绿)	Wire clip component (green)	1	1	1	1
15	52005021	夹线组件 (黄)	Wire clip component (yellow)	1	1	1	1
16	52005023	夹线组件 (黄)	Wire clip component (yellow)	0	1	1	2
17	52005024	夹线组件 (红)	Wire clip component (red)	1	1	1	1
18	52007480	过线板	Wire board	0	0	0	1
19	52007470	前过线板	Front wiring board	0	0	0	1

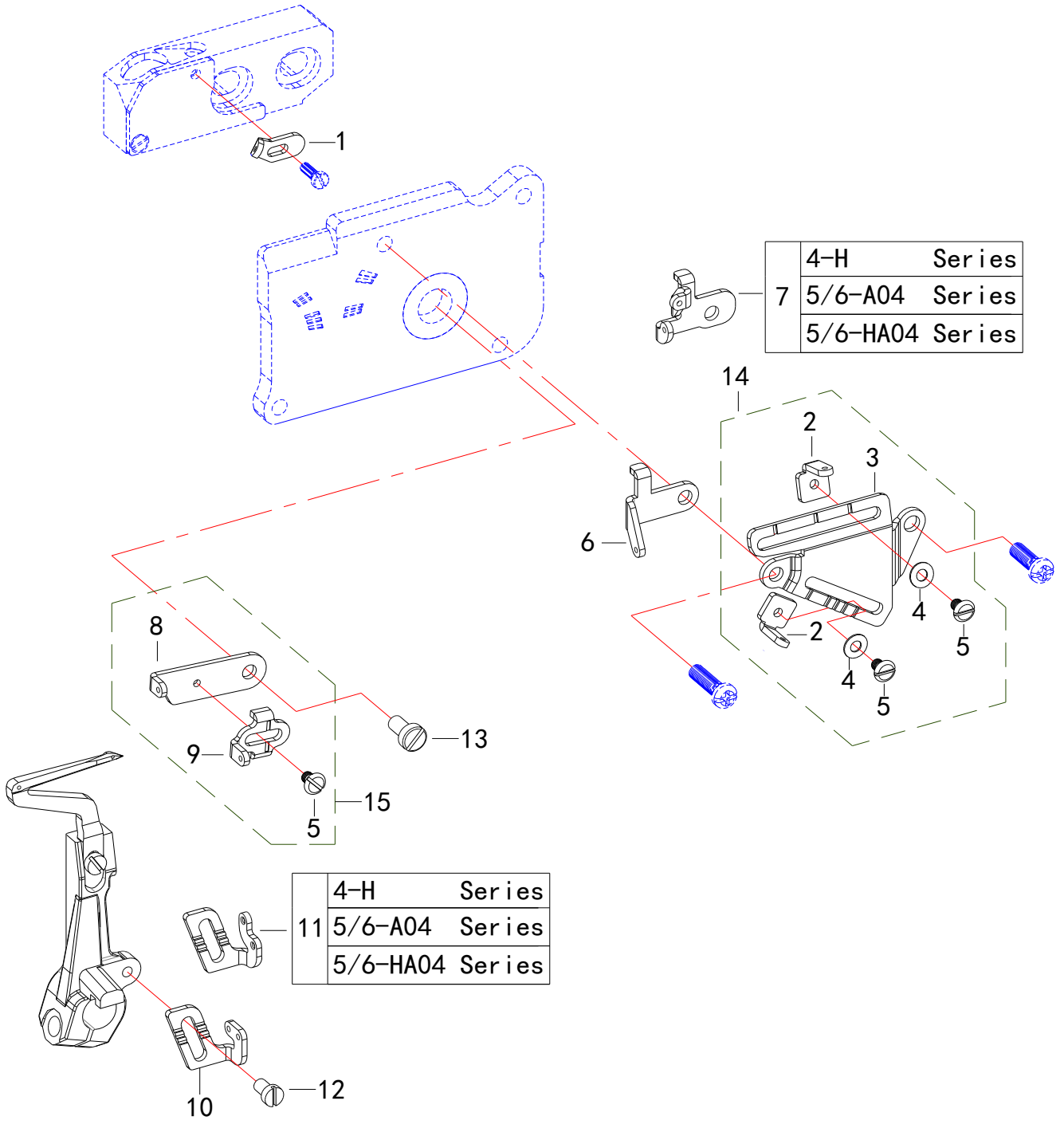
6. 过线机构 (1) / Crossing mechanism (1)



6. 过线机构 (1) / Crossing mechanism (1)

NO	零部件号	零部件名称	NAME OF PARTS	数量 (Number)			
				三线	四线	五线	六线
				three-thread	four-thread	five-thread	six-thread
1	52001700	支架 (5线)	Bracket (5-wire)	0	0	1	1
2	52094908	一字平头螺钉M4X8 (发黑)	Flat head screw M4X8 (blackened)	2	2	2	2
3	52001750	线道 (5线)	Line (5 lines)	0	0	1	1
4	52094805	一字平头螺钉M4X5 (发黑)	Flat head screw M4X5 (blackened)	0	0	3	3
5	52005041	托架 (5线)	Bracket (5-wire)	0	0	1	1
6	00804040	内紧定螺钉M4X4	Internal tightening screw M4X4	1	1	2	2
7	52001720	过线片 (5线)	Wire strip (5-wire)	0	0	1	0
8	52001710	过线片 (5线)	Wire strip (5-wire)	0	0	1	1
9	52001732	过线板 (5线)	Wire board (5-wire)	0	0	1	0
10	52001033	挑线杆 (5线)	Pick up pole (5-wire)	0	0	1	0
11	52005031	过线 (4线)	Over line (4 lines)	0	1	0	0
12	52005040	托架 (3/4线)	Bracket (3/4 line)	1	1	0	0
13	52001731	过线板 (4线)	Wire board (4 wires)	0	1	0	0
14	52001751	线道 (5线厚料)	Line (5-line thick material)	0	0	1	1
15	52093806	十字平头螺钉M3X6 (发黑)	Cross shaped flat head screw M3X6 (black)	2	2	2	2
16	52001030	挑线杆 (3线)	Pick up pole (3 lines)	1	0	0	0
17	52001031	挑线杆 (4线)	Pick up pole (4 wires)	0	1	0	0
18	52001032	挑线杆 (5线)	Pick up pole (5-wire)	0	0	1	0
19	52001734	过线板 (6线)	Wire board (6 wires)	0	0	0	1
20	52001721	过线片 (6线)	Wire strip (6 wires)	0	0	0	1
21	52001034	挑线杆 (6线)	Pick up pole (6 lines)	0	0	0	1
22	52001035	挑线杆 (6线)	Pick up pole (6 lines)	0	0	0	1
23	52001730	过线板 (3线)	Wire board (3 wires)	1	0	0	0
24	52005030	过线 (3线)	Cross line (3 lines)	1	0	0	0

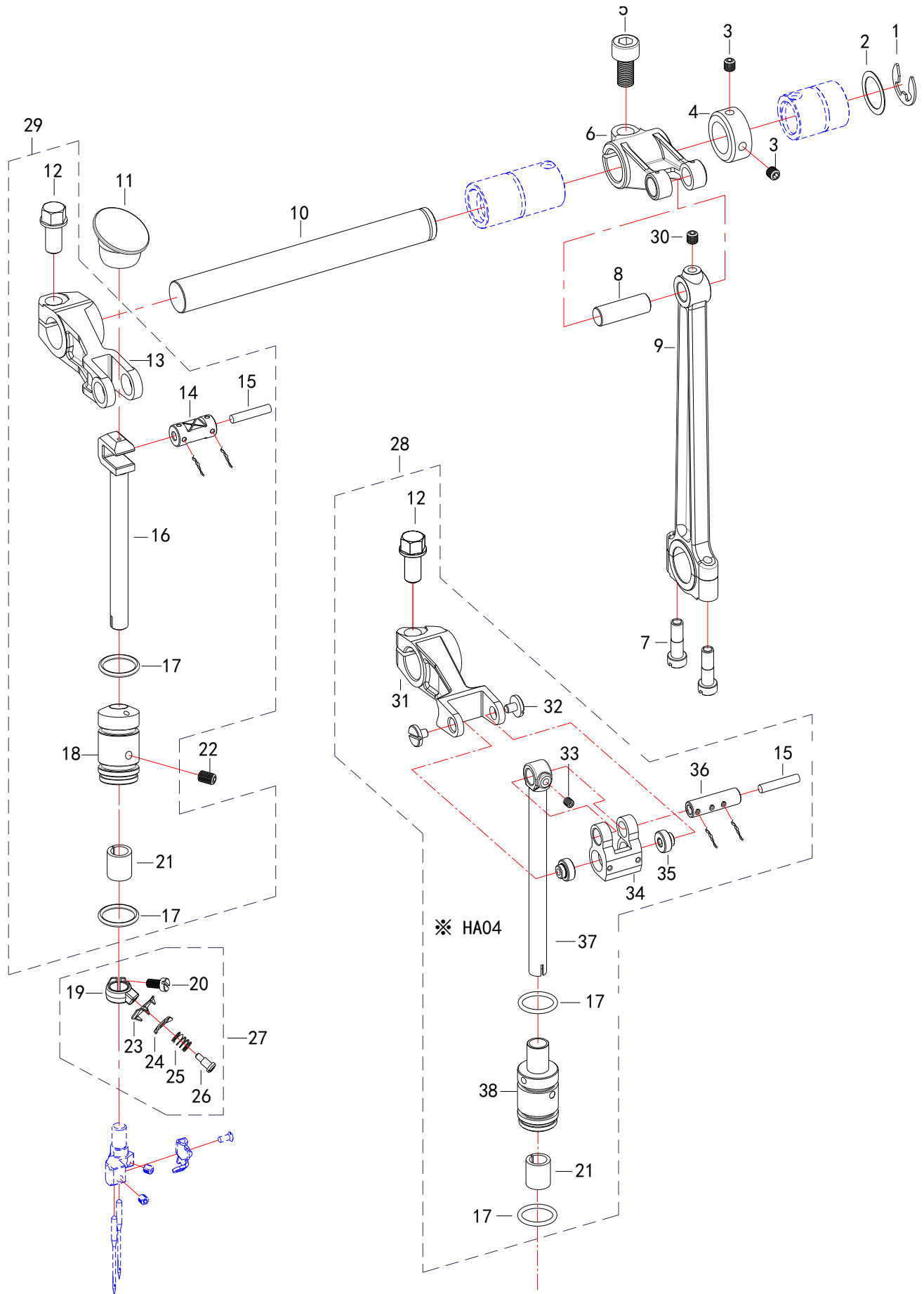
7. 过线机构 (2) / Crossing mechanism (2)



7. 过线机构 (2) /Crossing mechanism (2)

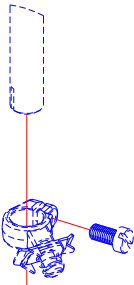
NO	零部件号	零部件名称	NAME OF PARTS	数量 (Number)			
				三线	四线	五线	六线
				three- thread	four- thread	five- thread	six- thread
1	52003940	上钩针座过线片	Hook needle seat threading piece	1	1	1	1
2	52001981	线道	Raceway	2	2	2	2
3	52001960	支架	support	1	1	1	1
4	52007220	平垫圈	flat washer	2	2	2	2
5	52007420	一字平头螺钉SM1-8 (44) (发黑)	Flat head screw SM1-8 (44) (blackened)	3	3	3	3
6	52001970	线道 (3/4/5线)	Line (3/4/5 lines)	1	1	1	1
7	52001971	线道	Raceway	0	1	1	1
8	52000951	线道调节片	Line adjustment plate	1	1	1	1
9	52000940	线道	Raceway	1	1	1	1
10	52003920	挑线架	Wire picking rack	1	1	1	1
11	52003921	挑线架	Wire picking rack	0	1	1	1
12	52092906	一字平头螺钉M3. 5X6 (发黑)	Flat head screw M3.5X6 (blackened)	1	1	1	1
13	52094928	一字平头螺钉M4X8 (发黑)	Flat head screw M4X8 (blackened)	1	1	1	1
14	52110290	过线组件	Wire components	1	1	1	1
15	52110300	过线组件	Wire components	1	1	1	1

8. 针杆部件 (1) / Needle bar component (1)

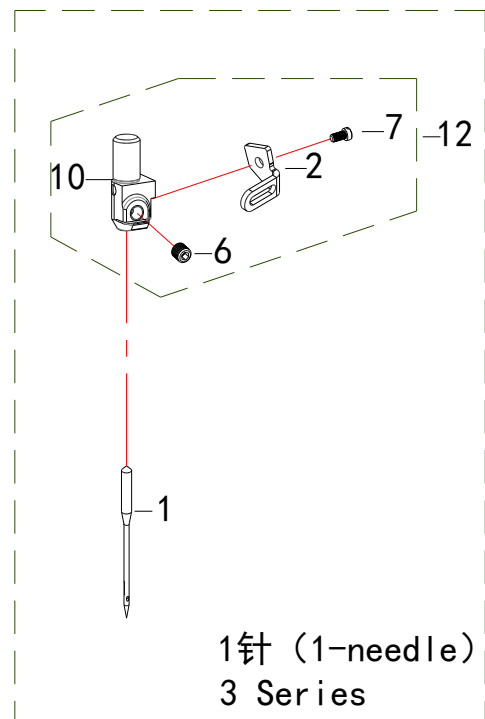
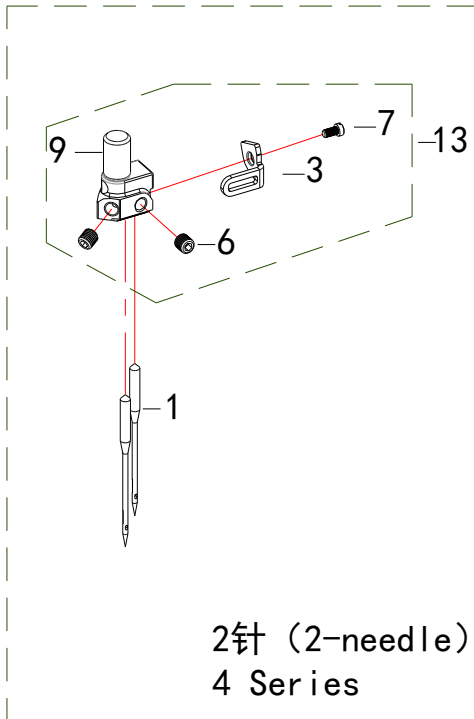
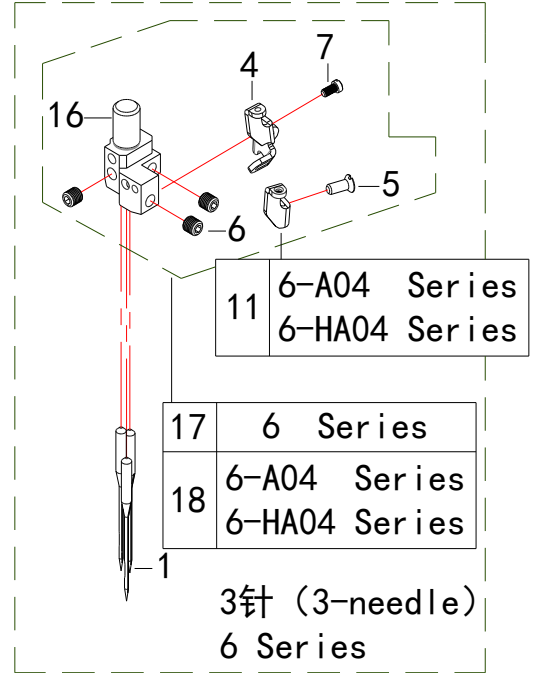
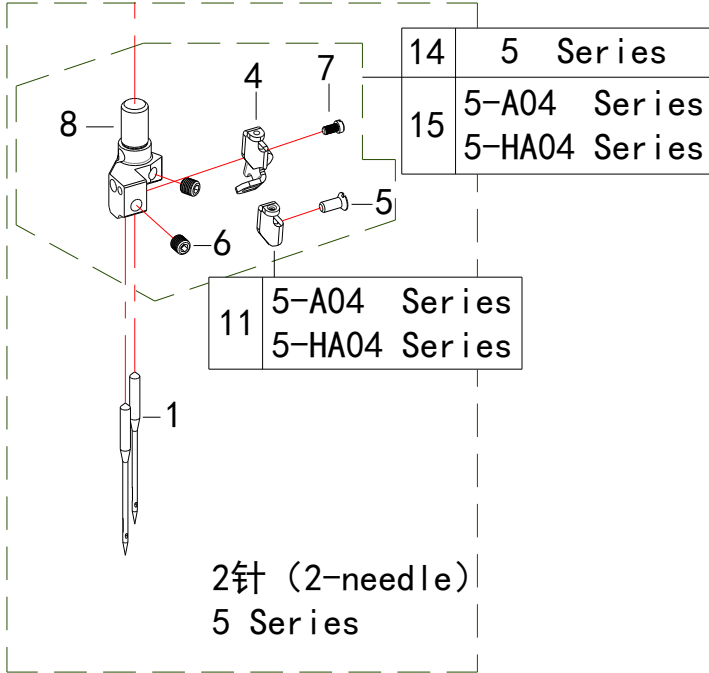


8. 针杆部件 (1) /Needle bar component (1)

NO	零部件号	零部件名称	NAME OF PARTS	数量 (Number)			
				三线	四线	五线	六线
				three- thread	four- thread	five- thread	six- thread
1	00201080	挡圈 E8	Retaining ring E8	1	1	1	1
2	52003770	平垫片	flat washer	1	1	1	1
3	00804040	内紧定螺钉M4X4	Internal tightening screw M4X4	2	2	2	2
4	52004450	上轴挡圈	Upper shaft retaining ring	1	1	1	1
5	52097212	内六角螺栓M6X12X0.75 (发黑)	Hexagonal socket bolt M6X12X0.75 (blackened)	1	1	1	1
6	52001070	针棒曲柄	Needle bar crank	1	1	1	1
7	52006780	一字平头螺钉SM11-64 (40) 发黑	Blackened flat head screw SM11-64 (40)	2	2	2	2
8	52004190	曲柄销	crank pin	1	1	1	1
9	52001060	针杆连杆	Needle bar linkage	1	1	1	1
10	52001050	上轴	Upper shaft	1	1	1	1
11	52003160	油封	oil seal	1	1	1	1
12	52097312	六角法兰面螺栓M6X12X0.75 (发黑)	Hexagonal flange bolt M6X12X0.75 (blackened)	1	1	1	1
13	52001080	针棒曲柄	Needle bar crank	1	1	1	1
14	52004030	针杆曲柄销	Needle bar crank pin	1	1	1	1
15	52004200	油线	oil line	0.033m	0.033m	0.033m	0.033m
16	52001100	针杆	needle bar	1	1	1	1
17	52002170	O型圈∅12x1.5	O-ring ∅12x1.5	2	2	2	2
18	52004410	针杆套	Needle rod cover	1	1	1	1
19	52004890	挡圈	retaining ring	1	1	1	1
20	52093907	一字小平头螺钉M3X6 (发黑)	One letter flat head screw M3X6 (blackened)	1	1	1	1
21	52005170	针杆毛毡	Needle felt	1	1	1	1
22	52094105	内六角锥端紧定螺钉M4×5	Hexagonal cone end tightening screw M4×5	1	1	1	1
23	52004690	托架	bracket	1	1	1	1
24	52004700	压线板	wire crimping plate	1	1	1	1
25	52005100	压簧	compression spring	1	1	1	1
26	52004710	段螺钉	Segment screw	1	1	1	1
27	52010310	挡圈组件	Retaining ring component	1	1	1	1
28	52110075	针杆组件	Needle bar assembly	0	0	1	1
29	52110070	针杆组件	Needle bar assembly	1	1	1	1
30	00804061	内紧定螺钉 (黑色) M4X6	Internal tightening screw (black) M4X6	1	1	1	1
31	52020010	针棒曲柄	Needle bar crank	0	0	1	1
32	52093924	一字平头螺钉M3X4 (发黑)	Flat head screw M3X4 (blackened)	0	0	2	2
33	52093104	内六角锥端紧定螺钉M3×4	Hexagonal cone end tightening screw M3×4	0	0	1	1
34	52020020	曲柄	crank	0	0	1	1
35	52020040	销	sales	0	0	2	2
36	52020060	曲柄销	crank pin	0	0	1	1
37	52020050	针杆	needle bar	0	0	1	1
38	52030030	针杆套	Needle rod cover	0	0	1	1



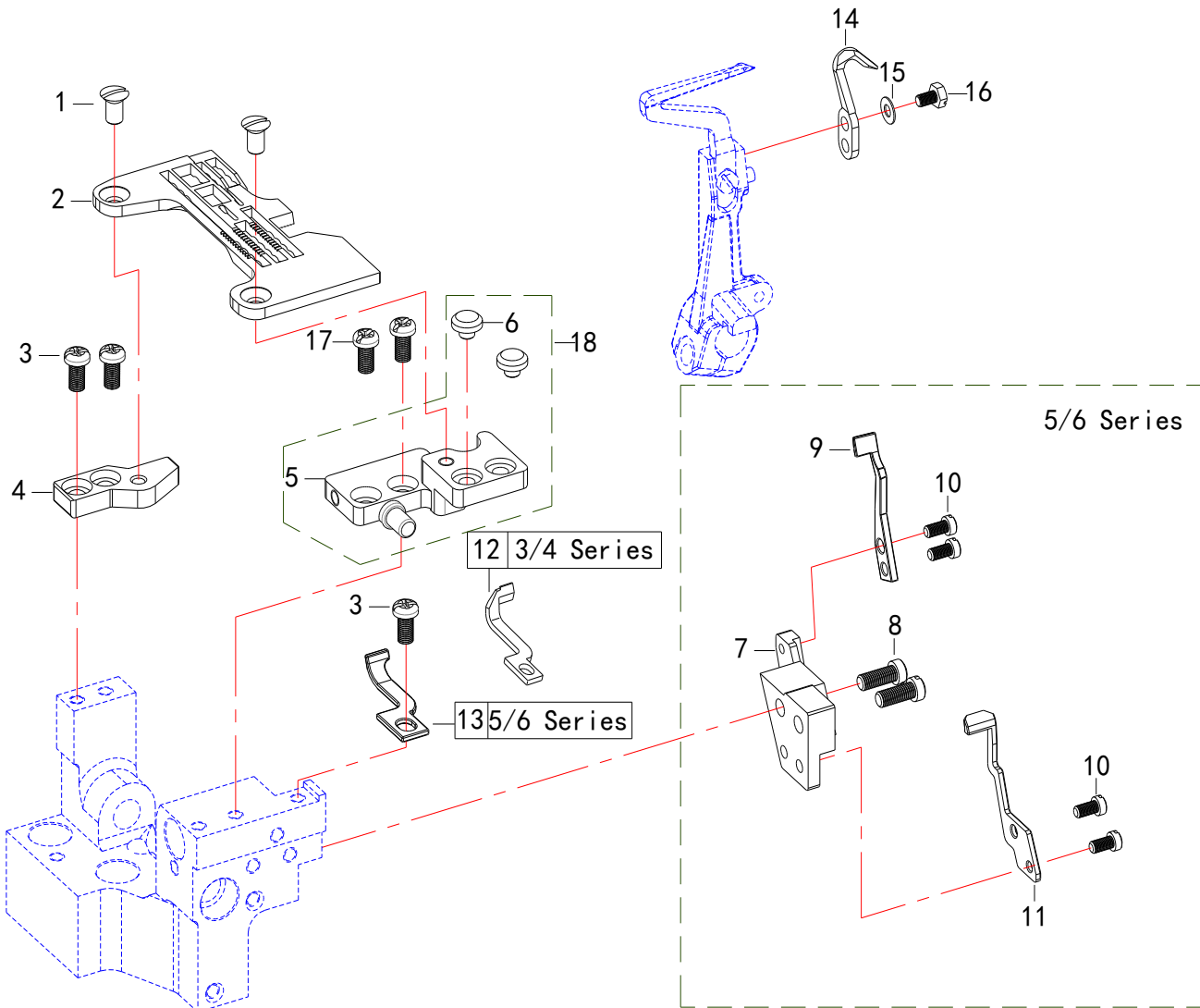
- ※ 序号14内分两种组件：
52010070五线针留组件 (34/5)
52010071五线针留组件 (55)
- ※ 序号17内分两种组件：
52010750六线针留组件 (324)
52010751六线针留组件 (524)



9. 针杆部件 (2) / Needle bar components (2)

NO	零部件号	零部件名称	NAME OF PARTS	数量 (Number)			
				三线	四线	五线	六线
				three-thread	four-thread	five-thread	six-thread
1	XXXXXXX	机针	sewing machine needle	1	2	2	3
2	52005160	过线 (3线)	Cross line (3 lines)	1	0	0	0
3	52005161	过线 (4线)	Over line (4 lines)	0	1	0	0
4	52005162	过线 (5线)	Over line (5 lines)	0	0	1	1
5	52090504	一字沉头螺钉M2X4 (发黑)	One letter countersunk head screw M2X4	0	0	1	1
6	52093103	内六角平端紧定螺钉M3X3	Internal hexagon flat end set screw M3X3	1	2	2	3
7	52090903	一字平头螺钉M2X3 (发黑)	Flat head screw M2X3 (blackened)	1	1	1	1
8	XXXXXXX	针留 (5线)	Needle retention (5 threads)	0	0	1	0
9	52001390	针留 (24)	Needle retention (24)	0	1	0	0
10	52000890	针留 (04)	Needle retention (04)	1	0	0	0
11	52005163	过线 (5线厚料)	Over line (5-line thick material)	0	0	1	1
12	52010050	三线针留组件	Three wire needle retention component	1	0	0	0
13	52010060	四线针留组件	Four wire needle retention component	0	1	0	0
14	XXXXXXX	五线针留组件	Five wire needle retention component	0	0	1	0
15	52010080	五线针留组件 (厚料)	Five wire needle retention component (thick)	0	0	1	0
16	XXXXXXX	针留 (6线)	Needle retention (6 threads)	0	0	0	1
17	XXXXXXX	六线针留组件	Six wire needle retention component	0	0	0	1
18	52010752	六线针留组件 (厚料)	Six wire needle retention component (thick)	0	0	0	1

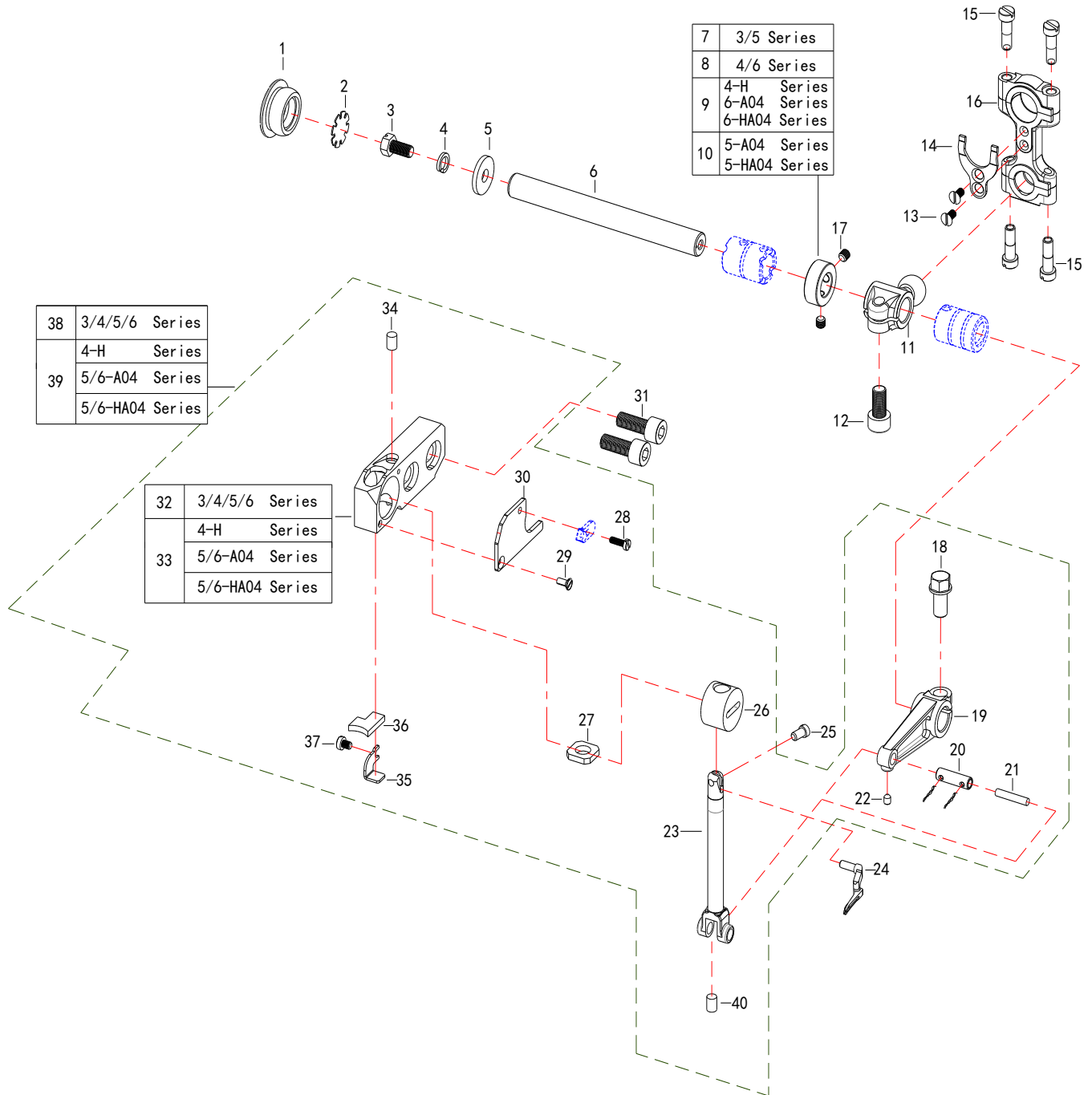
10. 针杆部件 (3) /Needle bar components (3)



10. 针杆部件 (3) / Needle bar components (3)

NO	零部件号	零部件名称	NAME OF PARTS	数量 (Number)			
				三线	四线	五线	六线
				three- thread	four- thread	five- thread	six- thread
1	52094007	一字半沉头螺钉M4X7.5	Half countersunk head screw M4X7.5	2	2	2	2
2	XXXXXXX	针板	needle board	1	1	1	1
3	52094408	十字盘头螺钉M4X8 (发黑)	Cross pan head screw M4X8 (blackened)	3	3	3	3
4	52001350	针板垫块(后)	Needle pad (rear)	1	1	1	1
5	52004960	针板垫块(前)	Needle pad (front)	1	1	1	1
6	52004210	减震垫	shock-absorbing pad	2	2	2	2
7	52001370	托架 (5线)	Bracket (5-wire)	0	0	1	1
8	52094810	一字平头螺钉M4X10 (发黑)	Flat head screw M4X10 (blackened)	0	0	2	2
9	52001400	链弯针护针 (5线)	Chain bending needle protector (5-wire)	0	0	1	1
10	52093906	一字平头螺钉M3X6 (发黑)	Flat head screw M3X6 (blackened)	0	0	4	4
11	52001290	机针护针(后)	Needle protector (rear)	0	0	1	1
12	52001300	机针护针(前) (3/4线)	Needle protector (front) (3/4 thread)	1	1	0	0
13	52001301	机针护针(前) (5线)	Needle protector (front) (5-wire)	0	0	1	1
14	52003910	弯针护针	Bending needle protection needle	1	1	1	1
15	52007260	平垫圈3	Flat washer 3	1	1	1	1
16	52093305	开槽外六角螺栓M3X5 (发黑)	Slotted hexagonal bolt M3X5 (blackened)	1	1	1	1
17	52094406	十字盘头螺钉M4X6 (发黑)	Cross pan head screw M4X6 (blackened)	2	2	2	2
18	52010400	针板垫块组件	Needle pad assembly	1	1	1	1

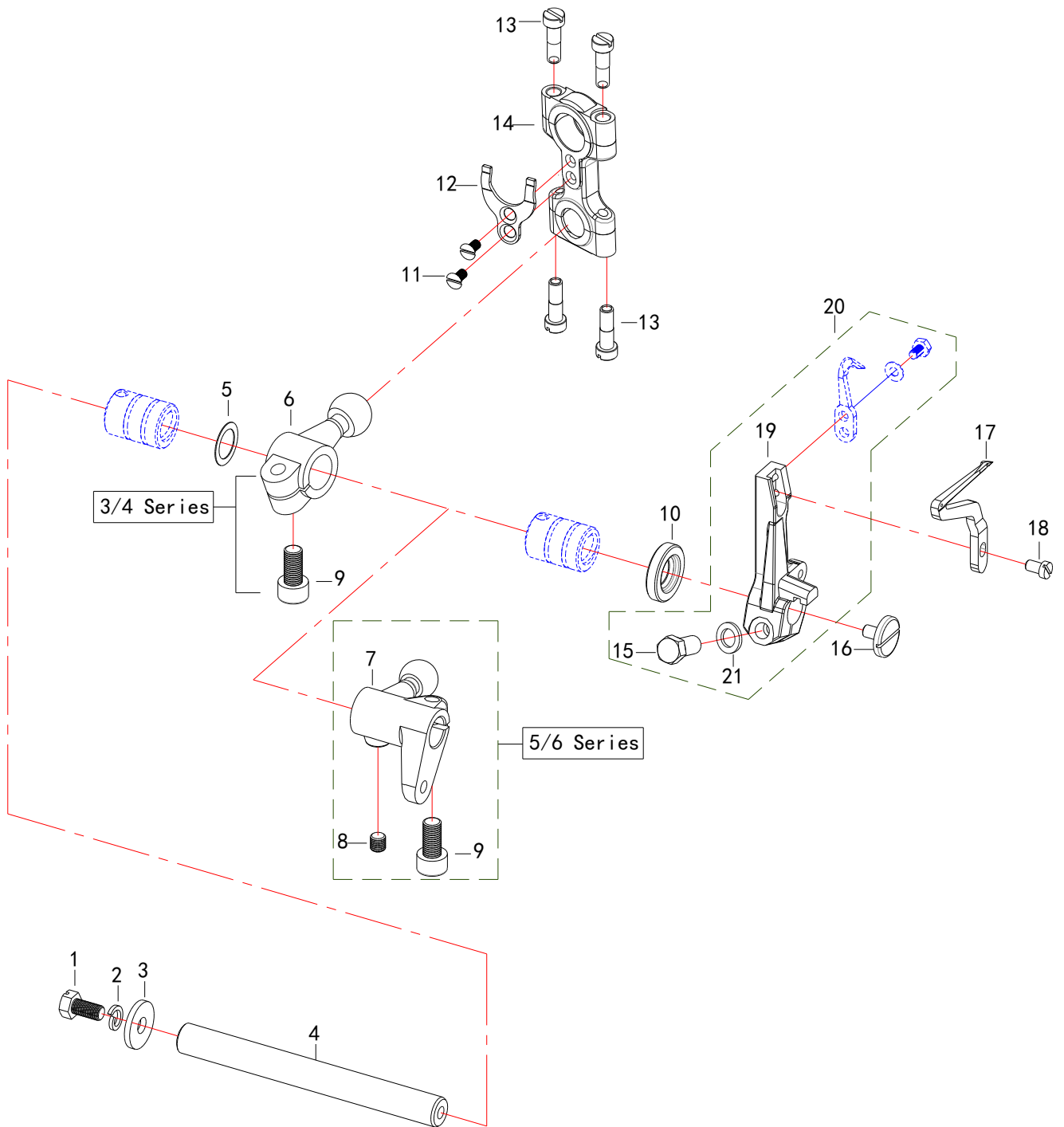
11. 上弯针部件/Upper bending needle component



11. 上弯针部件/Upper bending needle component

NO	零部件号	零部件名称	NAME OF PARTS	数量 (Number)			
				三线	四线	五线	六线
				three-thread	four-thread	five-thread	six-thread
1	52003150	排气油封	Exhaust oil seal	1	1	1	1
2	52003140	过滤片	filter element	1	1	1	1
3	52095310	开槽外六角螺栓M5X10 (发黑)	Slotted hexagonal bolt M5X10 (blackened)	1	1	1	1
4	10425640	弹簧垫圈5	Spring washer 5	1	1	1	1
5	52003710	平垫圈5	Flat washer 5	1	1	1	1
6	52000900	下钩针轴	Lower crochet hook shaft	1	1	1	1
7	52000930	衬套 (3/5线)	Lining (3/5 lines)	1	0	1	0
8	52000931	衬套 (4线)	Lining (4-wire)	0	1	0	1
9	52000932	衬套 (4线HM)	Lining (4-wire HM)	0	1	0	1
10	52000933	衬套 (5线A04)	Lining (5-wire A04)	0	0	1	0
11	52000921	上钩针曲轴	Hook hook crankshaft	1	1	1	1
12	52097212	内六角螺栓M6X12X0.75 (发黑)	Hexagonal socket bolt M6X12X0.75 (blackened)	1	1	1	1
13	52093506	一字沉头螺钉M3X6 (发黑)	One letter countersunk head screw M3X6 (blackened)	2	2	2	2
14	52000910	连杆垫片	Connecting rod gasket	1	1	1	1
15	52006780	一字平头螺钉SM11-64 (40) 发黑	Blackened flat head screw SM11-64 (40)	4	4	4	4
16	52000860	弯针连杆 (铝)	Bent needle connecting rod (aluminum)	1	1	1	1
17	00804040	内紧定螺钉M4X4	Internal tightening screw M4X4	2	2	2	2
18	52097312	六角法兰面螺栓M6X12X0.75 (发黑)	Hexagonal flange bolt M6X12X0.75 (blackened)	1	1	1	1
19	52001160	上钩针曲柄	Hook hook crank	1	1	1	1
20	52003990	曲柄销	crank pin	1	1	1	1
21	52004200	油线	oil line	0.04m	0.04m	0.04m	0.04m
22	52093104	内六角锥端紧定螺钉M3×4	Hexagonal cone end tightening screw M3×4	1	1	1	1
23	52003970	上钩针棒	Hook needle stick	1	1	1	1
24	XXXXXXXX	上弯针	Up bending needle	1	1	1	1
25	52092907	一字小平头螺钉M3.5X6 (发黑)	One letter flat head screw M3.5X6 (blackened)	1	1	1	1
26	52003980	上钩针滑块	Upper crochet slider	1	1	1	1
27	52001220	上钩针油棉	Crochet oil cotton	1	1	1	1
28	52091908	一字平头螺钉M2.5X8 (发黑)	Flat head screw M2.5X8 (blackened)	1	1	1	1
29	52091506	一字沉头螺钉M2.5X5.8 (发黑)	One letter countersunk head screw M2.5X5.8 (blackened)	1	1	1	1
30	52001180	上钩针座盖板	Hook needle seat cover plate	1	1	1	1
31	52096216	内六角螺栓M6X16 (发黑)	Internal hexagon bolt M6X16 (blackened)	2	2	2	2
32	52003960	上钩针座	Hooked needle seat	1	1	1	1
33	52003961	上钩针座	Hooked needle seat	0	1	1	1
34	52005180	过滤塞	Filter plug	1	1	1	1
35	52004020	压板	pressure plate	1	1	1	1
36	52004000	吸油棉	oil absorbent cotton	1	1	1	1
37	52093904	一字平头螺钉M3X4 (发黑)	Flat head screw M3X4 (blackened)	1	1	1	1
38	52110090	上钩针组件	Upper crochet hook component	1	1	1	1
39	52110091	上钩针组件	Upper crochet hook component	0	1	1	1
40	52005210	针棒孔塞	Needle rod hole plug	1	1	1	1

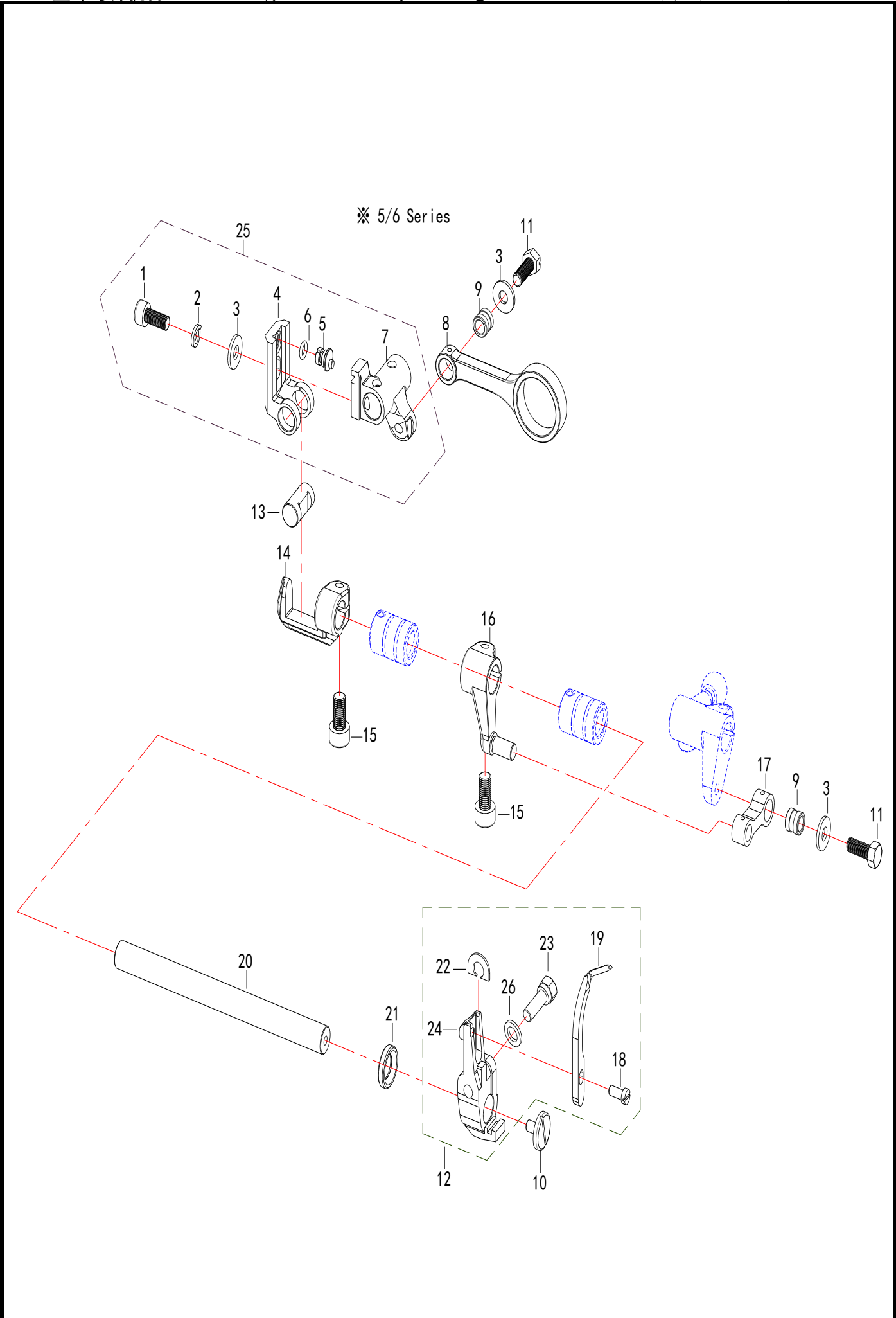
12. 下弯针部件/Lower bending needle component



12. 下弯针部件/Lower bending needle component

NO	零部件号	零部件名称	NAME OF PARTS	数量 (Number)			
				三线	四线	五线	六线
				three-thread	four-thread	five-thread	six-thread
1	52095310	开槽外六角螺栓M5X10 (发黑)	Slotted hexagonal bolt M5X10 (blackened)	1	1	1	1
2	10425640	弹簧垫圈5	Spring washer 5	1	1	1	1
3	52003710	平垫圈5	Flat washer 5	1	1	1	1
4	52000900	下钩针轴	Lower crochet hook shaft	1	1	1	1
5	52003780	平垫片	flat washer	1	1	1	1
6	52000870	下钩针曲轴 (3/4线)	Lower crochet crankshaft (3/4 line)	1	1	0	0
7	52000871	下钩针曲轴 (5线)	Lower crochet crankshaft (5 threads)	0	0	1	1
8	00805050	内紧定螺钉M5X5	Internal tightening screw M5X5	0	0	1	1
9	52097212	内六角螺栓M6X12X0.75 (发黑)	Hexagonal socket bolt M6X12X0.75 (blackened)	1	1	1	1
10	52004230	油封	oil seal	1	1	1	1
11	52093506	一字沉头螺钉M3X6 (发黑)	One letter countersunk head screw M3X6 (blackened)	2	2	2	2
12	52000910	连杆垫片	Connecting rod gasket	1	1	1	1
13	52006780	一字平头螺钉SM11-64 (40) 发黑	Blackened flat head screw SM11-64 (40)	4	4	4	4
14	52000860	弯针连杆 (铝)	Bent needle connecting rod (aluminum)	1	1	1	1
15	52004170	外六角螺栓SM15-64 (28) (发黑)	Outer hexagon bolt SM15-64 (28) (blackened)	1	1	1	1
16	52094907	一字大平头螺钉M4X7 (发黑)	One letter flat head screw M4X7 (blackened)	1	1	1	1
17	XXXXXXXX	下弯针	Lower bending needle	1	1	1	1
18	52092906	一字平头螺钉M3.5X6 (发黑)	Flat head screw M3.5X6 (blackened)	1	1	1	1
19	52002680	下弯针架	Lower bending needle holder	1	1	1	1
20	52010100	下弯针座组件	Lower bending needle seat component	1	1	1	1
21	52007530	平垫圈6	Flat washer 6	1	1	1	1

13. 二重环弯针机构 (1) (5/6线) / Double loop bending needle mechanism (1) (5/6 wires)



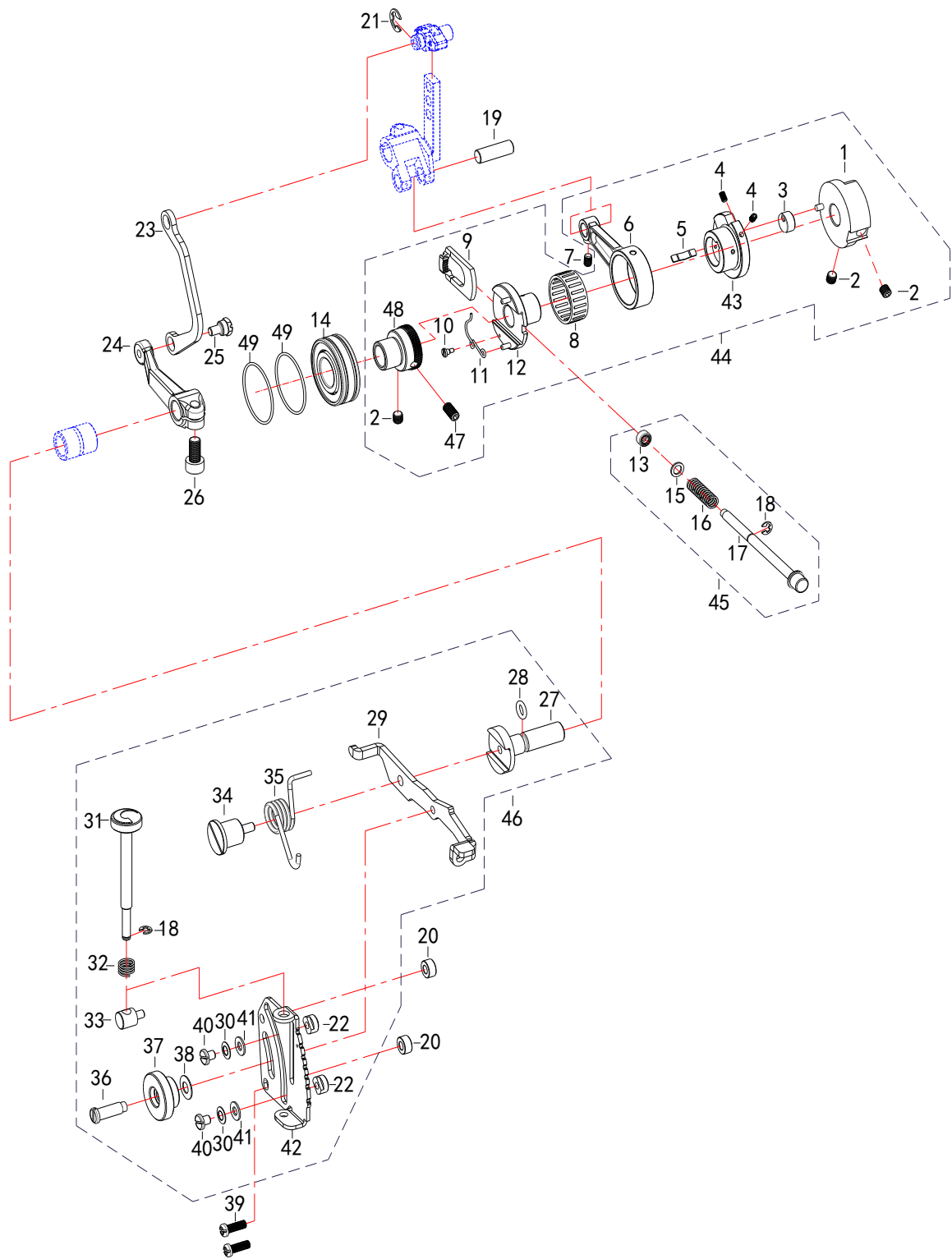
13. 二重环弯针机构 (1) (5/6线) / Double loop bending needle mechanism (1) (5/6 wires)

NO	零部件号	零部件名称	NAME OF PARTS	数量 (Number)			
				三线	四线	五线	六线
				three-thread	four-thread	five-thread	six-thread
1	01205121	内六角螺栓M5X12 (黑色)	Internal hexagon bolt M5X12 (black)	0	0	1	1
2	10425640	弹簧垫圈5	Spring washer 5	0	0	1	1
3	00506010	垫圈	washer	0	0	3	3
4	52000780	送料曲柄	Feeding crank	0	0	1	1
5	52000810	偏心销	Eccentric pin	0	0	1	1
6	52007270	O型圈4. 4X1	O-ring 4.4X1	0	0	1	1
7	52000800	曲柄	crank	0	0	1	1
8	52000791	二重环连杆	Double ring connecting rod	0	0	1	1
9	52000630	连杆套	Connecting rod sleeve	0	0	2	2
10	52094907	一字大平头螺钉M4X7 (发黑)	One letter flat head screw M4X7 (blackened)	0	0	1	1
11	52095313	外六角螺栓M5X13X0.5 (发黑)	Outer hexagon bolt M5X13X0.5 (blackened)	0	0	2	2
12	52010110	环钩针架组件	Hook hook frame component	0	0	1	1
13	52000770	五线销	Five line sales	0	0	1	1
14	52000820	支架	support	0	0	1	1
15	52097212	内六角螺栓M6X12X0.75 (发黑)	Hexagonal socket bolt M6X12X0.75 (blackened)	0	0	2	2
16	52000960	链线曲柄	Chain crank	0	0	1	1
17	52000610	连杆	connecting rod	0	0	1	1
18	52092927	一字平头螺钉M3.5X7.5 (发黑)	Flat head screw M3.5X7.5 (blackened)	0	0	1	1
19	52000840	环钩针	Crochet hook	0	0	1	1
20	52000760	链线轴	Chain spool	0	0	1	1
21	52004280	油封	oil seal	0	0	1	1
22	52000850	垫片	shim	0	0	1	1
23	52095309	外六角螺栓M5X9 (发黑)	Outer hexagon bolt M5X9 (blackened)	0	0	1	1
24	52000830	弯针架	Bending needle holder	0	0	1	1
25	52110100	送料组件	Feeding components	0	0	1	1
26	00505041	平垫圈5	Flat washer 5	0	0	1	1

14. 二重环弯针机构 (2) (5/6线用) / Double ring bending needle mechanism (2) (for 5/6 wires)

NO	零部件号	零部件名称	NAME OF PARTS	数量 (Number)			
				三线	四线	五线	六线
				three-thread	four-thread	five-thread	six-thread
1	52004680	过线管	Wire conduit	0	0	1	1
2	52093103	内六角平端紧定螺钉M3X3	Internal hexagon flat end set screw M3X3	0	0	2 (4)	2 (4)
3	52002750	过线器夹	Wire feeder clamp	0	0	2 (3)	2 (3)
4	52004621	过线管	Wire conduit	0	0	1	1
5	52004580	紧线手柄	Tightening handle	0	0	1	1
6	52004570	段螺钉M3	Segment screw M3	0	0	1	1
7	52004590	弹簧	spring	0	0	1	1
8	52004600	夹线片	tension disc	0	0	2	2
9	52001490	打线凸轮架	Wire laying cam frame	0	0	1	1
10	52004830	过线片	Wire strip	0	0	1	1
11	00703041	十字盘头螺钉M3X4 (发黑)	Cross pan head screw M3X4 (blackened)	0	0	2	2
12	52003740	段螺钉M4	Segment screw M4	0	0	1	1
13	52003730	波形弹性垫圈6	Wave elastic washer 6	0	0	1	1
14	52001520	过线板	Wire board	0	0	1	1
15	52001500	打线凸轮	Wire cam	0	0	1	1
16	52002860	打线凸轮组件	Wire laying cam component	0	0	1	1
17	52001540	板弹簧	Plate spring	0	0	1	1
18	52094410	十字盘头螺钉M4X10 (发黑)	Cross pan head screw M4X10 (blackened)	0	0	1	1
19	52094805	一字平头螺钉M4X5 (发黑)	Flat head screw M4X5 (blackened)	0	0	1 (2)	1 (2)
20	52001510	分线板	Distribution board	0	0	1	1
21	52094408	十字盘头螺钉M4X8 (发黑)	Cross pan head screw M4X8 (blackened)	0	0	1	1
22	52001280	过线片	Wire strip	0	0	1	1

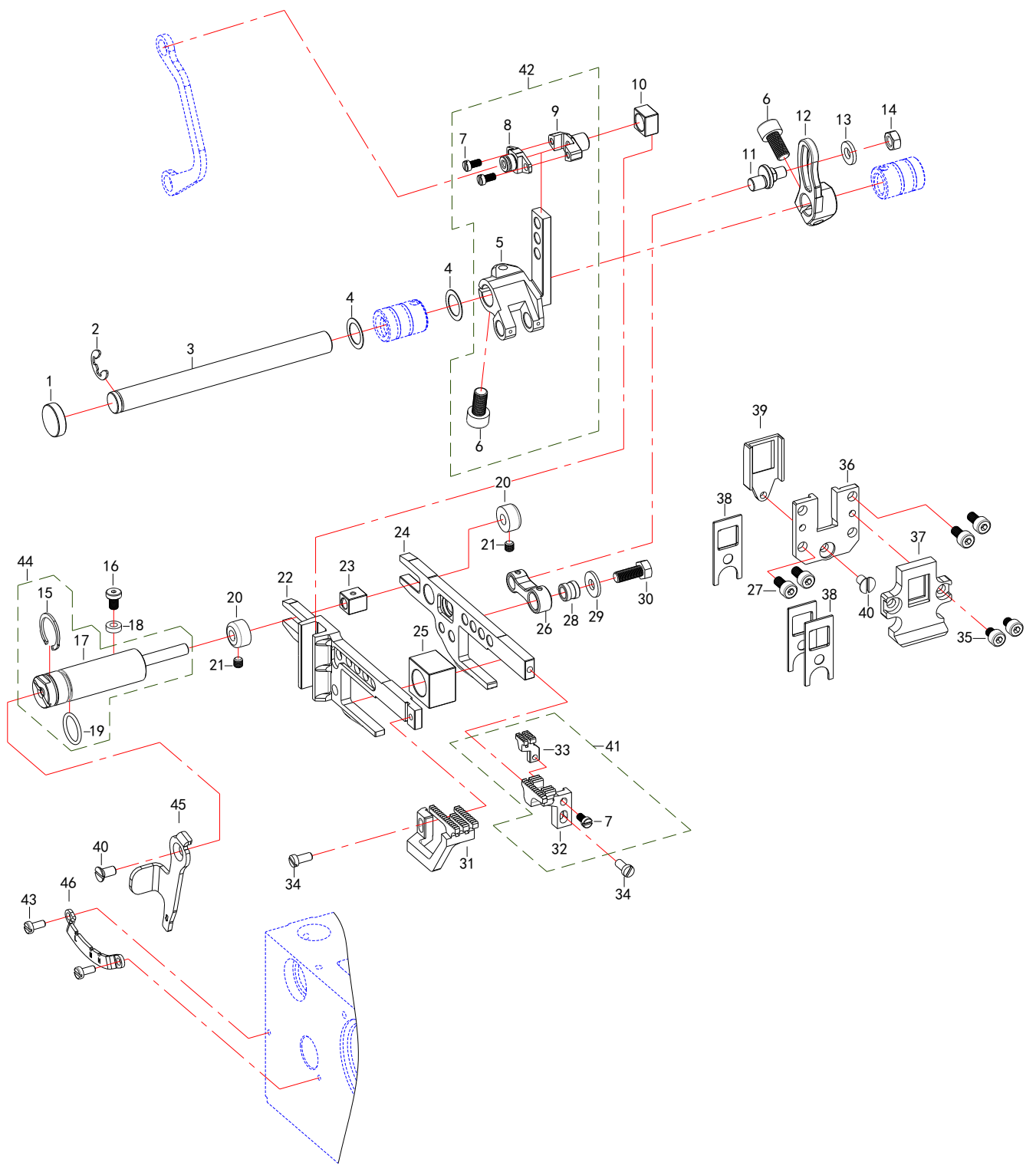
15. 差动调节机构/Differential adjustment mechanism



15. 差动调节机构/Differential adjustment mechanism

NO	零部件号	零部件名称	NAME OF PARTS	数量 (Number)			
				三线	四线	五线	六线
				three-thread	four-thread	five-thread	six-thread
1	52003230	送布偏心轮	Eccentric wheel for fabric delivery	1	1	1	1
2	00805050	内紧定螺钉M5X5	Internal tightening screw M5X5	3	3	3	3
3	52003240	小偏心轮	Small eccentric wheel	1	1	1	1
4	10305230	内六角平端紧定螺钉M3X5	Internal hexagon flat end set screw M3X5	2	2	2	2
5	52004850	弹簧板	spring plate	1	1	1	1
6	52003180	送料连杆	Feeding linkage	1	1	1	1
7	00804061	内紧定螺钉 (黑色) M4X6	Internal tightening screw (black) M4X6	1	1	1	1
8	52003190	滚针轴承26X22X10	Needle roller bearing 26X22X10	1	1	1	1
9	52003260	棘爪	pawl	1	1	1	1
10	52004630	段螺钉M2	Segment screw M2	1	1	1	1
11	52003210	扭簧	torsion spring	1	1	1	1
12	52003200	开针偏心凸轮	Needle opening eccentric cam	1	1	1	1
13	52004250	油封	oil seal	1	1	1	1
14	52005340	深沟球轴承6202-RZ	Deep groove ball bearing 6202-RZ	1	1	1	1
15	52004640	平垫圈5	Flat washer 5	1	1	1	1
16	52004490	弹簧	spring	1	1	1	1
17	52001310	开针扭轴	Needle opening torsion shaft	1	1	1	1
18	00201030	挡圈 E3	Retaining ring E3	2	2	2	2
19	52004190	曲柄销	crank pin	1	1	1	1
20	52001610	垫片	shim	2	2	2	2
21	52002730	开口挡圈E6	Open end retaining ring E6	1	1	1	1
22	52001661	垫片螺母	Gasket nut	2	2	2	2
23	52000720	差动连片	Differential coupling	1	1	1	1
24	52000730	差动曲柄	Differential crank	1	1	1	1
25	52007320	段螺钉M5	Segment screw M5	1	1	1	1
26	52097212	内六角螺栓M6X12X0.75 (发黑)	Hexagonal socket bolt M6X12X0.75 (blackened)	1	1	1	1
27	52001630	差动轴	differential shaft	1	1	1	1
28	52004240	差动轴O型圈	Differential shaft O-ring	1	1	1	1
29	52001560	杆	rod	1	1	1	1
30	52007450	蝶形垫片	Butterfly shaped gasket	2	2	2	2
31	52001570	调节杆	adjustment rod	1	1	1	1
32	52001601	压簧	compression spring	1	1	1	1
33	52001581	配销	dealer distribution	1	1	1	1
34	52001620	段螺钉	Segment screw	1	1	1	1
35	52001640	扭簧	torsion spring	1	1	1	1
36	52001670	段螺钉	Segment screw	1	1	1	1
37	52001680	圆螺母	round nut	1	1	1	1
38	52004510	蝶形垫片	Butterfly shaped gasket	1	1	1	1
39	52094412	十字盘头螺钉M4X12 (发黑)	Cross pan head screw M4X12 (blackened)	2	2	2	2
40	52007430	一字平头螺钉SM11-64 (40)	Flat head screw SM11-64 (40) (blackened)	2	2	2	2
41	52007440	平垫圈4	Flat washer 4	2	2	2	2
42	52001551	调节板	adjustment plate	1	1	1	1
43	52003250	偏心轮	eccentric wheel	1	1	1	1
44	52002870	送料连杆组件	Feeding linkage component	1	1	1	1
45	52010120	开针扭轴组件	Needle opening torsion shaft assembly	1	1	1	1
46	52010130	差动组件	Differential component	1	1	1	1
47	00805101	内紧定螺钉M5X10 (平端)	Internal tightening screw M5X10 (flat end)	1	1	1	1
48	52000510	棘轮	ratchet	1	1	1	1
49	52005350	O型圈30x1.2	O-ring 30x1.2	2	2	2	2

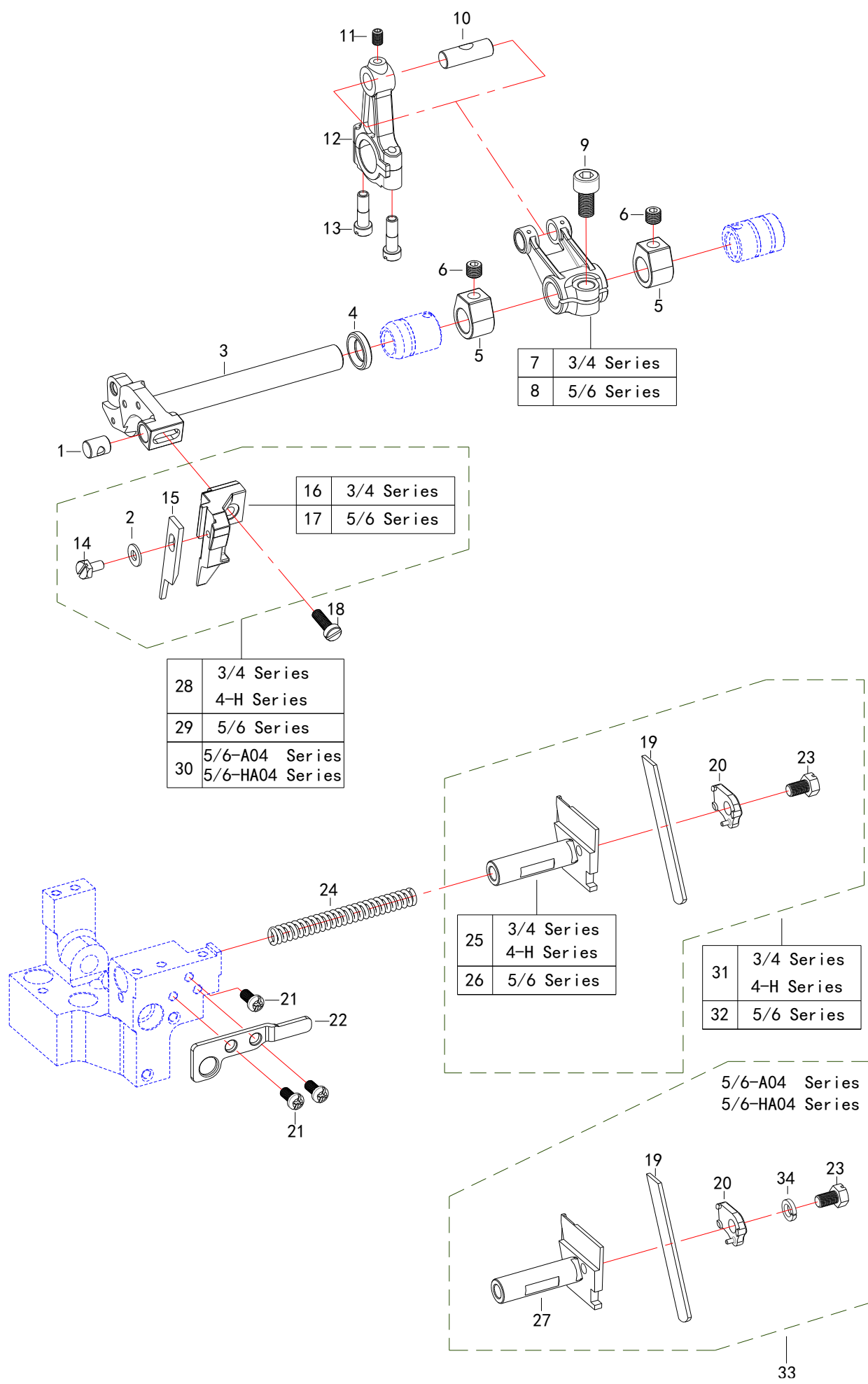
16. 送布机构/Fabric delivery mechanism



16. 送布机构/Fabric delivery mechanism

NO	零部件号	零部件名称	NAME OF PARTS	数量 (Number)			
				三线	四线	五线	六线
				three-thread	four-thread	five-thread	six-thread
1	52004670	油封	oil seal	1	1	1	1
2	00201070	挡圈E7	Retaining ring E7	1	1	1	1
3	52000520	送布轴	Feed axis	1	1	1	1
4	52003780	平垫片	flat washer	2	2	2	2
5	52002700	送料曲柄	Feeding crank	1	1	1	1
6	52097212	内六角螺栓M6X12X0.75 (发黑)	Hexagonal socket bolt M6X12X0.75 (blackened)	2	2	2	2
7	52093906	一字平头螺钉M3X6 (发黑)	Flat head screw M3X6 (blackened)	3	3	3	3
8	52002720	曲柄销	crank pin	1	1	1	1
9	52002710	曲柄	crank	1	1	1	1
10	52000570	滑块	slider	1	1	1	1
11	52000620	偏心销	Eccentric pin	1	1	1	1
12	52000600	送料曲柄	Feeding crank	1	1	1	1
13	02000094	垫圈5	Gasket 5	1	1	1	1
14	52000660	螺母M5 (发黑)	Nut M5 (blackened)	1	1	1	1
15	52004260	卡簧	circlip	1	1	1	1
16	52094206	内六角圆柱头螺钉M4X6 (发黑)	Hexagonal socket head screw M4X6 (blackened)	1	1	1	1
17	52000700	偏心轴	eccentric shaft	1	1	1	1
18	52004650	密封垫	gasket	1	1	1	1
19	52002170	O型圈∅12x1.5	O-ring ∅ 12x1.5	1	1	1	1
20	52000710	挡圈	retaining ring	2	2	2	2
21	00804040	内紧定螺钉M4X4	Internal tightening screw M4X4	2	2	2	2
22	52000550	差动齿牙架	Differential gear rack	1	1	1	1
23	52000580	滑柱	traveller	1	1	1	1
24	52000560	主送齿牙架	Main gear rack	1	1	1	1
25	52000590	滑块	slider	1	1	1	1
26	52000610	连杆	connecting rod	1	1	1	1
27	02000018	内六角螺栓M4X8 (发黑)	Internal hexagon bolt M4X8 (blackened)	4	4	4	4
28	52000630	连杆套	Connecting rod sleeve	1	1	1	1
29	00506010	垫圈	washer	1	1	1	1
30	52095313	外六角螺栓M5X13X0.5 (发黑)	Outer hexagon bolt M5X13X0.5 (blackened)	1	1	1	1
31	XXXXXXXX	差动传动齿	Differential transmission gear	1	1	1	1
32	XXXXXXXX	主送齿	Main transmission gear	1	1	1	1
33	XXXXXXXX	辅助送齿	Auxiliary tooth feeding	1	1	1	1
34	52092927	一字平头螺钉M3.5X7.5 (发黑)	Flat head screw M3.5X7.5 (blackened)	2	2	2	2
35	52094205	内六角螺栓M4X5 (发黑)	Internal hexagon bolt M4X5 (blackened)	4	4	2	2
36	52000740	牙架挡块 (一体)	Tooth rack stopper (integrated)	1	1	1	1
37	52000750	挡油板	oil baffle	1	1	1	1
38	52003900	牙架油封	Dental frame oil seal	3	3	3	3
39	52005120	牙架挡油板	Tooth rack oil baffle	1	1	1	1
40	52094508	一字沉头螺钉M4X8 (发黑)	One letter countersunk head screw M4X8 (blackened)	2	2	2	2
41	XXXXXXXX	主送齿组件	Main gear transmission component	1	1	1	1
42	52110110	送料曲柄组件	Feeding crank component	1	1	1	1
43	52093927	一字平头螺钉M3X7 (发黑)	Flat head screw M3X7 (blackened)	2	2	2	2
44	52110250	偏心轴组件	Eccentric shaft component	1	1	1	1
45	52007200	调节杆	adjustment rod	1	1	1	1
46	52007210	盘	plate	1	1	1	1

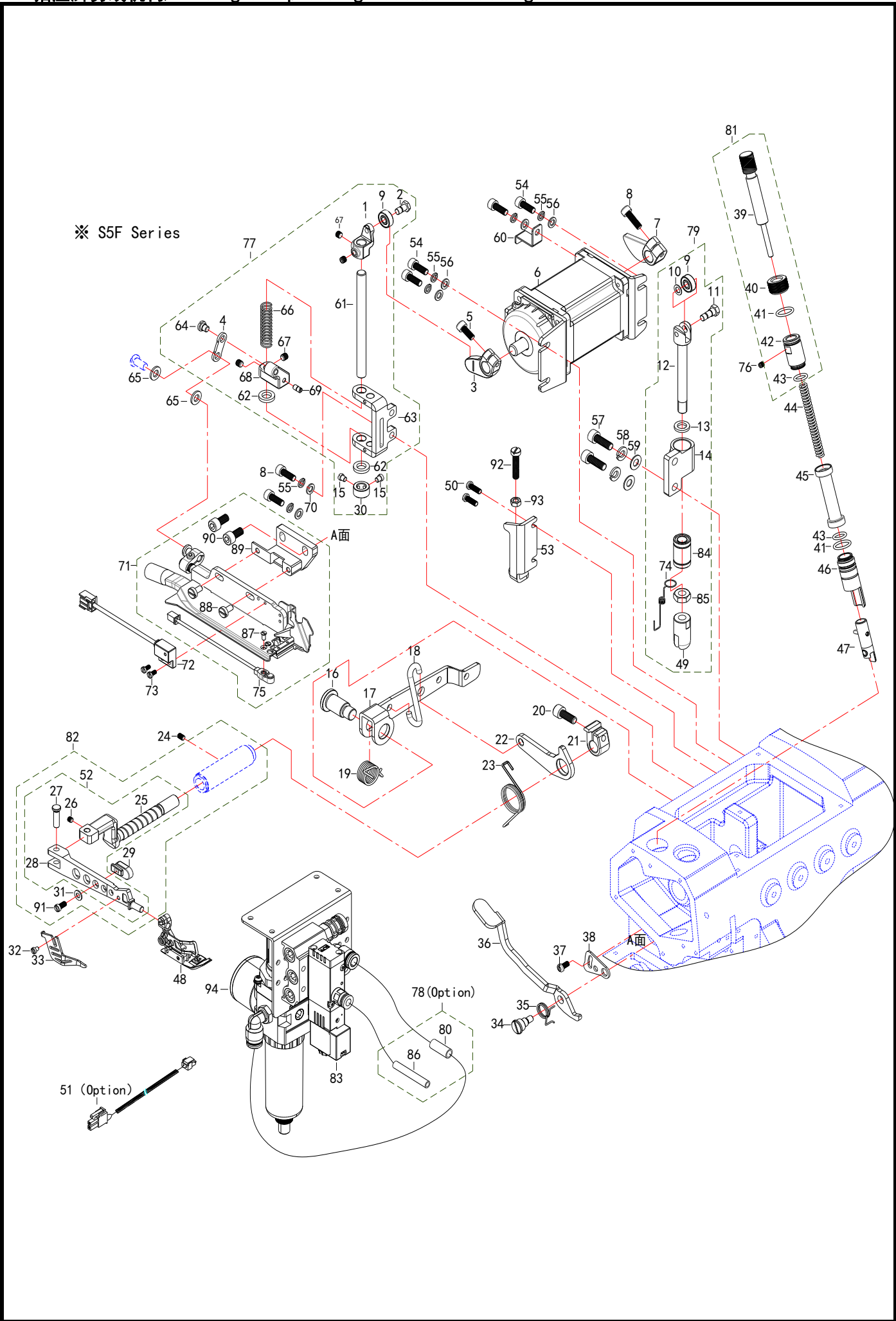
17. 剪布机构/Cutting mechanism



17. 剪布机构/Cutting mechanism

NO	零部件号	零部件名称	NAME OF PARTS	数量 (Number)			
				三线	四线	五线	六线
				three-thread	four-thread	five-thread	six-thread
1	52000990	导向销	Guide	1	1	1	1
2	52005230	平垫圈4	Flat washer 4	1	1	1	1
3	52001040	上刀架轴	Upper knife holder shaft	1	1	1	1
4	52004280	油封	oil seal	1	1	1	1
5	52000970	挡块	stop block	2	2	2	2
6	02000008	内紧定螺钉M6X5X0.75	Internal tightening screw M6X5X0.75	2	2	2	2
7	52000980	刀架曲柄 (3/4线)	Tool holder crank (3/4 line)	1	1	0	0
8	52000981	刀架曲柄 (5线)	Tool holder crank (5-wire)	0	0	1	1
9	52097212	内六角螺栓M6X12X0.75 (发黑)	Hexagonal socket bolt M6X12X0.75 (blackened)	1	1	1	1
10	52004190	曲柄销	crank pin	1	1	1	1
11	00804061	内紧定螺钉 (黑色) M4X6	Internal tightening screw (black) M4X6	1	1	1	1
12	52001000	上刀连杆 (铝)	Upper blade connecting rod (aluminum)	1	1	1	1
13	52006780	一字平头螺钉SM11-64 (40) 发黑	Blackened flat head screw SM11-64 (40)	2	2	2	2
14	52092307	开槽外六角螺栓M3.5X7.5 (发黑)	Slotted hexagonal bolt M3.5X7.5 (blackened)	1	1	1	1
15	XXXXXXXX	上刀	Blade	1	1	1	1
16	52001020	上刀座 (3/4线)	Upper blade holder (3/4 line)	1	1	0	0
17	52001021	上刀座 (5线)	Upper blade holder (5-wire)	0	0	1	1
18	52094912	一字平头螺钉M4X12 (发黑)	Flat head screw M4X12 (blackened)	1	1	1	1
19	XXXXXXXX	下刀	Lower knife	1	1	1	1
20	52001340	压板	pressure plate	1	1	1	1
21	52094408	十字盘头螺钉M4X8 (发黑)	Cross pan head screw M4X8 (blackened)	3	3	3	3
22	52001270	挡板	baffle	1	1	1	1
23	52095308	开槽外六角螺栓M5X8 (发黑)	Slotted hexagonal bolt M5X8 (blackened)	1	1	1	1
24	52005110	压簧	compression spring	1	1	1	1
25	52001330	下刀架 (3/4线)	Lower knife holder (3/4 line)	1	1	0	0
26	52001331	下刀架 (5线)	Lower knife holder (5-line)	0	0	1	1
27	52001333	下刀架 (5线)	Lower knife holder (5-line)	0	0	1	1
28	52010190	上刀座组件 (3/4线)	Upper blade holder component (3/4 line)	1	1	0	0
29	52010191	上刀座组件 (5线)	Upper blade holder component (5-wire)	0	0	1	1
30	52010193	上刀座组件 (5线厚料)	Upper blade holder component (5-wire thick)	0	0	1	1
31	52010200	下刀架组件 (3/4线)	Lower knife holder component (3/4 line)	1	1	0	0
32	52010201	下刀架组件 (5线)	Lower knife holder component (5-wire)	0	0	1	1
33	52010203	下刀架组件 (5线厚料)	Lower knife holder component (5-line thick)	0	0	1	1
34	10425640	弹簧垫圈5	Spring washer 5	0	0	0 (1)	0 (1)

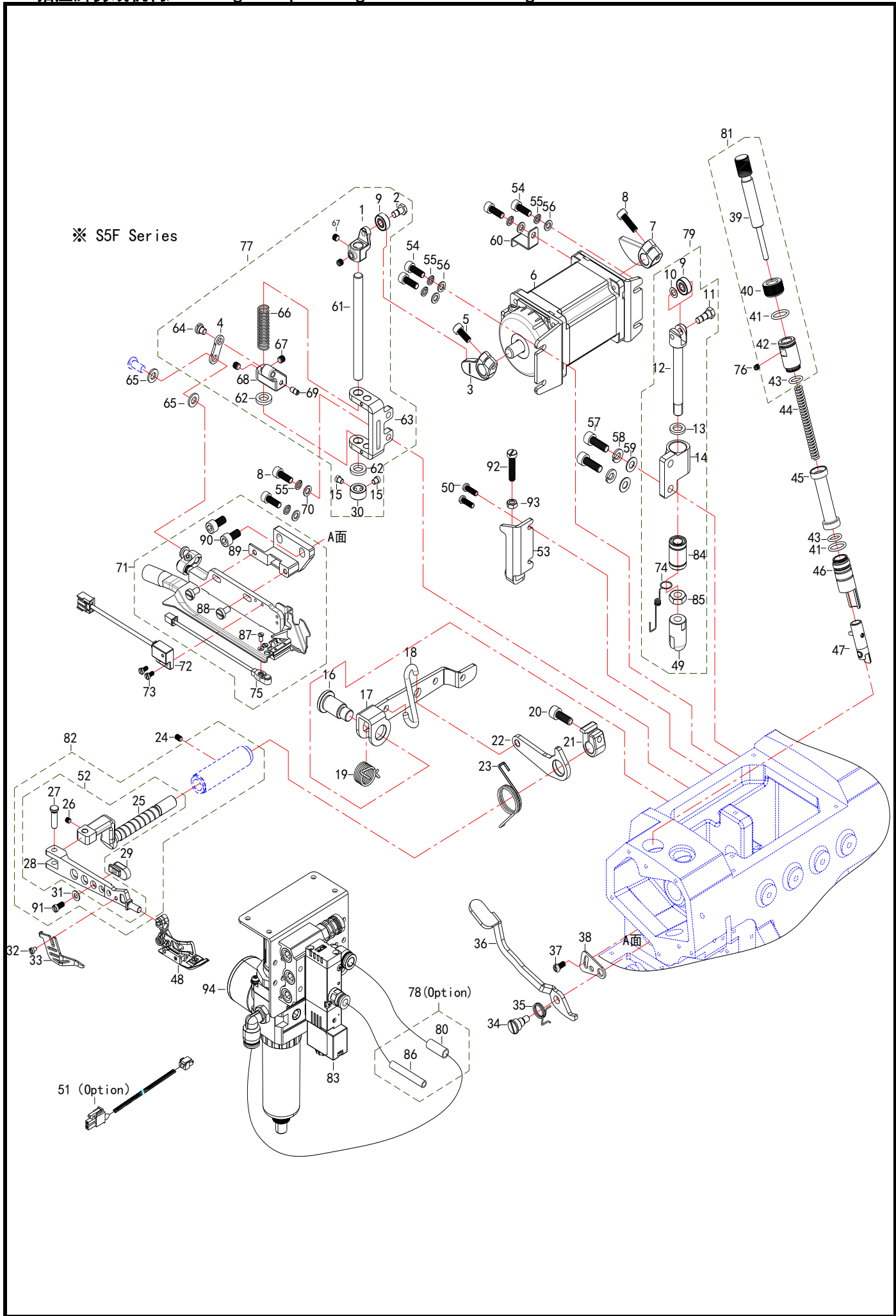
18. 抬压脚剪线机构/Lifting and pressing foot wire cutting mechanism



18. 抬压脚剪线机构/Lifting and pressing foot wire cutting mechanism

NO	零部件号	零部件名称	NAME OF PARTS	数量 (Number)			
				三线	四线	五线	六线
				three-thread	four-thread	five-thread	six-thread
1	52006960	轴承座	bearing housing	1	1	1	1
2	52007250	轴位螺钉	Axis screw	1	1	1	1
3	52005610	曲柄	crank	1	1	1	1
4	52006930	连杆	connecting rod	1	1	1	1
5	01205121	内六角螺栓M5X12 (黑色)	Internal hexagon bolt M5X12 (black)	1	1	1	1
6	52002820	抬压脚电机	Lift foot motor	1	1	1	1
7	52005540	凸轮	cam	1	1	1	1
8	01205161	内六角螺栓M5X16 (黑色)	Internal hexagon bolt M5X16 (black)	3	3	3	3
9	52005550	深沟球轴承605ZZ	Deep groove ball bearing 605ZZ	2	2	2	2
10	52005600	垫片	shim	1	1	1	1
11	52001910	轴位螺钉	Axis screw	1	1	1	1
12	52005560	轴	axis	1	1	1	1
13	52007330	橡胶垫圈	rubber gasket	1	1	1	1
14	52005570	支架	support	1	1	1	1
15	52094904	一字平头螺钉M4X4 (发黑)	Flat head screw M4X4 (blackened)	2	2	2	2
16	52004400	抬压脚螺丝	Lift the foot screw	1	1	1	1
17	52002980	抬压脚杠杆	Lift the foot lever	1	1	1	1
18	52003170	挂勾	hook	1	1	1	1
19	52004420	弹簧	spring	1	1	1	1
20	52097215	内六角螺栓M6X15X0.75 (发黑)	Hexagonal socket bolt M6X15X0.75 (blackened)	1	1	1	1
21	52003020	复位圈	Reset Circle	1	1	1	1
22	52003030	小杠杆	Small leverage	1	1	1	1
23	52004150	弹簧	spring	1	1	1	1
24	00804061	内紧定螺钉 (黑色) M4X6	Internal tightening screw (black) M4X6	1	1	1	1
25	52003010	压脚轴	Pressure foot shaft	1	1	1	1
26	52094104	内六角平端紧定螺钉M4X0.5	Internal hexagon flat end set screw M4X0.5	1	1	1	1
27	52003050	连杆销	link pin	1	1	1	1
28	52003040	压脚臂	Presser foot arm	1	1	1	1
29	52007310	磁铁固定块	Magnet fixing block	1	1	1	1
30	15100620	挡圈	retaining ring	1	1	1	1
31	00504111	垫圈黑色M4	Gasket black M4	1	1	1	1
32	52006760	一字平头螺钉SM1-8 (44)	Flat head screw SM1-8 (44)	1	1	1	1
33	52001950	切刀挡板	Cutting blade baffle	1	1	1	1
34	52001870	压杆扳手螺丝	Pressure bar wrench screw	1	1	1	1
35	52004140	扭簧	torsion spring	1	1	1	1
36	52001860	压杆扳手	Pressure bar wrench	1	1	1	1
37	52094908	一字平头螺钉M4X8 (发黑)	Flat head screw M4X8 (blackened)	1	1	1	1
38	52001880	限位板	limit plate	1	1	1	1
39	52001810	调节螺柱	Adjust the screw column	1	1	1	1
40	52001840	压杆调节螺母	Pressure rod adjustment nut	1	1	1	1
41	52002170	O型圈∅12x1.5	O-ring ∅ 12x1.5	2	2	2	2
42	52001830	螺纹套	threaded insert	1	1	1	1
43	52002180	O型圈∅11.5x0.9	O-ring ∅ 11.5x0.9	2	2	2	2
44	52004120	压杆弹簧	Compression rod spring	1	1	1	1
45	52001800	防油套	Oil proof sleeve	1	1	1	1
46	52001790	压杆套筒	Compression rod sleeve	1	1	1	1
47	52001820	压杆组件	Compression rod component	1	1	1	1
48	XXXXXXXX	压脚组件	Pressure foot component	1	1	1	1
49	52005580	压块	briquette	1	1	1	1
50	02000049	一字螺钉 (黑色) M4X10	One letter screw (black) M4X10	2	2	2	2
51	52007561	一联线束	One wire harness	1	1	1	1
52	52110370	压脚臂组	Foot compression arm group	1	1	1	1
53	52001460	限位板	limit plate	1	1	1	1
54	01205146	内六角螺栓M5X14 (材料定制)	Internal hexagon bolt M5X14 (customized)	4	4	4	4
55	10425640	弹簧垫圈5	Spring washer 5	6	6	6	6
56	00505041	垫圈M5 (发黑)	Gasket M5 (blackened)	4	4	4	4
57	52096216	内六角螺栓M6X16 (发黑)	Internal hexagon bolt M6X16 (blackened)	2	2	2	2

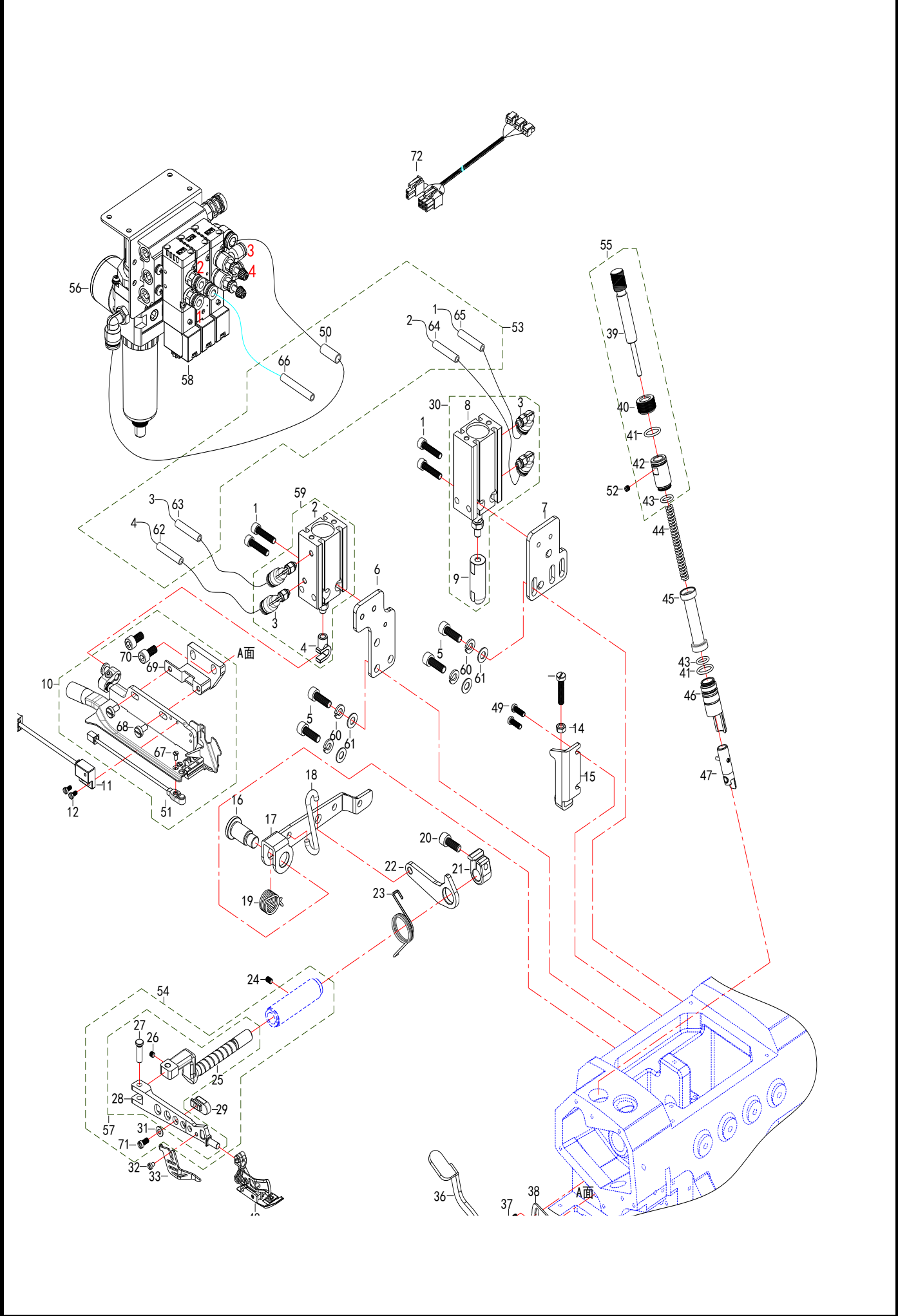
18. 抬压脚剪线机构/Lifting and pressing foot wire cutting mechanism



18. 抬压脚剪线机构/Lifting and pressing foot wire cutting mechanism

NO	零部件号	零部件名称	NAME OF PARTS	数量 (Number)			
				三线	四线	五线	六线
				three-thread	four-thread	five-thread	six-thread
58	52006990	弹簧垫圈6	Spring washer 6	2	2	2	2
59	00506050	平垫圈M6(发黑)	Flat washer M6 (blackened)	2	2	2	2
60	52002740	线夹	wire clamp	1	1	1	1
61	52005590	轴	axis	1	1	1	1
62	52006940	橡胶垫圈	rubber gasket	2	2	2	2
63	52002040	支架	support	1	1	1	1
64	52006700	轴位螺钉	Axis screw	1	1	1	1
65	52006950	垫圈	washer	2	2	2	2
66	52002070	切刀弹簧	Cutting blade spring	1	1	1	1
67	00805050	内紧定螺钉M5X5	Internal tightening screw M5X5	4	4	4	4
68	52002060	滑块	slider	1	1	1	1
69	52001920	定位螺钉	set screw	1	1	1	1
70	02000107	平垫圈M5	Flat washer M5	2	2	2	2
71	52001130	切刀组件	Cutting blade component	1	1	1	1
72	52002320	安全开关	safety switch	1	1	1	1
73	52093927	一字平头螺钉M3X7 (发黑)	Flat head screw M3X7 (blackened)	2	2	2	2
74	52008330	拉簧	extension spring	1	1	1	1
75	52021430	后接收装置	Rear receiving device	1	1	1	1
76	00804040	内紧定螺钉M4X4	Internal tightening screw M4X4	1	1	1	1
77	52010210	切刀机构组件	Cutting mechanism components	1	1	1	1
78	52112390	一联电磁阀气管组	One solenoid valve air pipe group	1	1	1	1
79	52010220	抬压脚机构组件	Lift and press foot mechanism component	1	1	1	1
80	13205590	空气管	air pipe	0.37m	0.37m	0.37m	0.37m
81	52010240	压杆调节组件	Pressure rod adjustment component	1	1	1	1
82	52010250	压脚臂组件	Foot arm component	1	1	1	1
83	52110240	一联电磁阀组件	One set of solenoid valve components	1	1	1	1
84	52007290	直线轴承LN8UU	Linear bearing LN8UU	1	1	1	1
85	00408050	螺母M8	Nut M8	1	1	1	1
86	10126690	气管	trachea	0.8m	0.8m	0.8m	0.8m
87	52093506	一字沉头螺钉M3X6 (发黑)	One letter countersunk head screw M3X6 (blackened)	1	1	1	1
88	52006770	一字平头螺钉SM11-64 (40)	Flat head screw SM11-64 (40) (blackened)	2	2	2	2
89	52001139	刀架连接座	Knife holder connection seat	1	1	1	1
90	01206121	内六角螺栓M6X12	Hexagonal socket bolt M6X12	2	2	2	2
91	52094928	一字平头螺钉M4X8 (发黑)	Flat head screw M4X8 (blackened)	1	1	1	1
92	52095924	一字平头螺钉M5X24 (发黑)	Flat head screw M5X24 (blackened)	1	1	1	1
93	52000660	螺母M5 (发黑)	Nut M5 (blackened)	1	1	1	1
94	52112400	调压过滤器 (自动款)	Pressure regulating filter (automatic versio	1	1	1	1

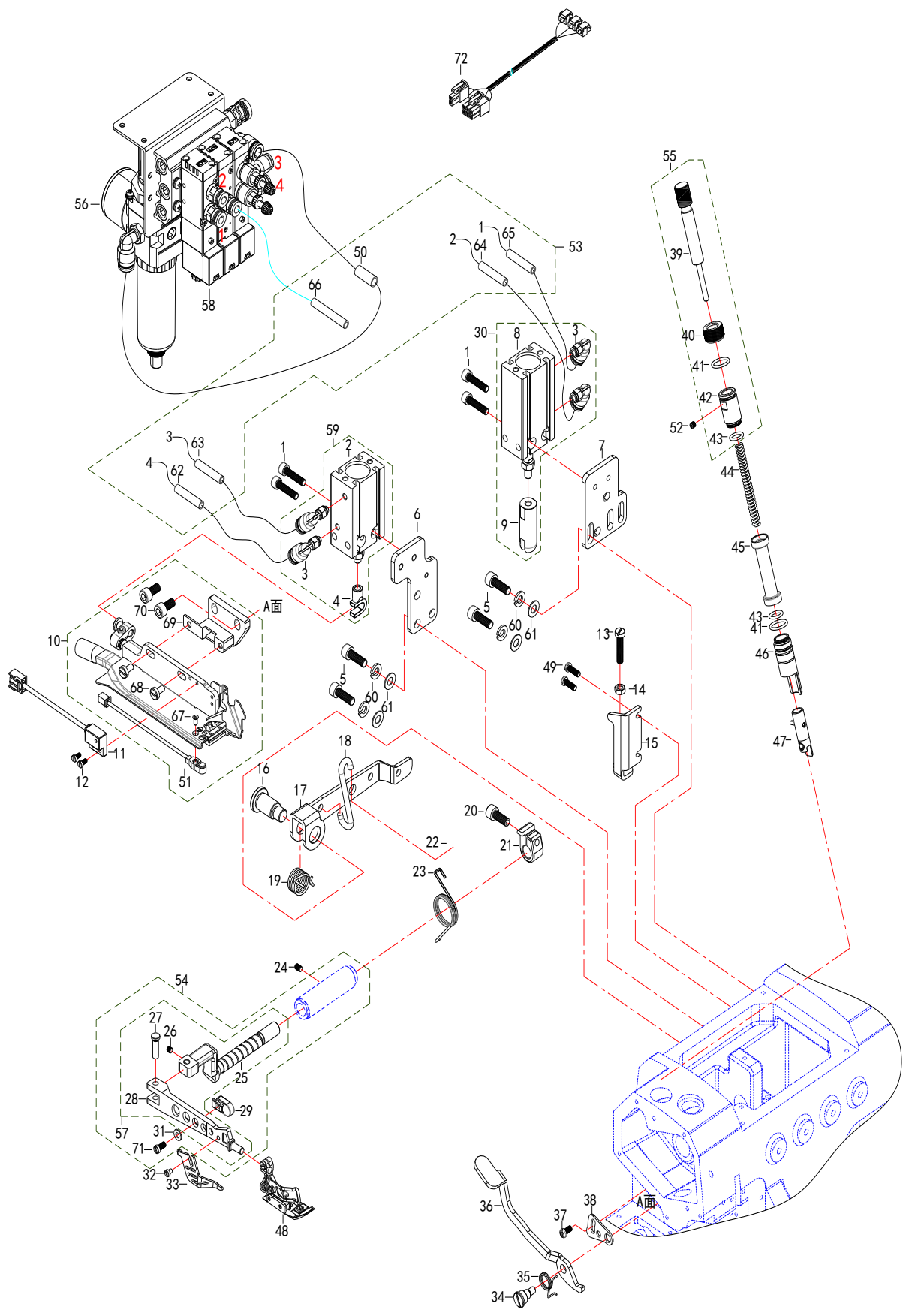
19. 抬压脚剪线机构 (AT) / Lifting and Pressing Foot Wire Cutting Mechanism (AT)



19. 抬压脚剪线机构 (AT) /Lifting and Pressing Foot Wire Cutting Mechanism (AT)

NO	零部件号	零部件名称	NAME OF PARTS	数量 (Number)			
				三线	四线	五线	六线
				three-thread	four-thread	five-thread	six-thread
1	52095222	内六角螺栓M5X22 (发黑)	Internal hexagon bolt M5X22 (blackened)	4	4	4	4
2	52002430	气缸	cylinder	1	1	1	1
3	10490830	管接头D (简图)	Pipe joint D (schematic diagram)	4	4	4	4
4	52002280	气动剪线压头	Pneumatic wire cutting pressure head	1	1	1	1
5	52096216	内六角螺栓M6X16 (发黑)	Internal hexagon bolt M6X16 (blackened)	4	4	4	4
6	52002390	气缸转接板	Cylinder adapter plate	1	1	1	1
7	52002400	气缸转接板	Cylinder adapter plate	1	1	1	1
8	52002410	气缸	cylinder	1	1	1	1
9	52002330	气动抬压脚压头	Pneumatic lifting foot pressure head	1	1	1	1
10	52001130	切刀组件	Cutting blade component	1	1	1	1
11	52002320	安全开关	safety switch	1	1	1	1
12	52093927	一字平头螺钉M3X7 (发黑)	Flat head screw M3X7 (blackened)	2	2	2	2
13	52095924	一字平头螺钉M5X24 (发黑)	Flat head screw M5X24 (blackened)	1	1	1	1
14	52000660	螺母M5 (发黑)	Nut M5 (blackened)	1	1	1	1
15	52001460	限位板	limit plate	1	1	1	1
16	52004400	抬压脚螺丝	Lift the foot screw	1	1	1	1
17	52002980	抬压脚杠杆	Lift the foot lever	1	1	1	1
18	52003170	挂勾	hook	1	1	1	1
19	52004420	弹簧	spring	1	1	1	1
20	52097215	内六角螺栓M6X15X0.75 (发黑)	Hexagonal socket bolt M6X15X0.75 (blackened)	1	1	1	1
21	52003020	复位圈	Reset Circle	1	1	1	1
22	52003030	小杠杆	Small leverage	1	1	1	1
23	52004150	弹簧	spring	1	1	1	1
24	00804061	内紧定螺钉 (黑色) M4X6	Internal tightening screw (black) M4X6	1	1	1	1
25	52003010	压脚轴	Pressure foot shaft	1	1	1	1
26	52094104	内六角平端紧定螺钉M4X0.5	Internal hexagon flat end set screw M4X0.5	1	1	1	1
27	52003050	连杆销	link pin	1	1	1	1
28	52003040	压脚臂	Presser foot arm	1	1	1	1
29	52007310	磁铁固定块	Magnet fixing block	1	1	1	1
30	52110170	抬压脚气缸组件	Lift foot cylinder assembly	1	1	1	1
31	00504111	垫圈黑色M4	Gasket black M4	1	1	1	1
32	52006760	一字平头螺钉SM1-8 (44)	Flat head screw SM1-8 (44)	1	1	1	1
33	52001950	切刀挡板	Cutting blade baffle	1	1	1	1
34	52001870	压杆扳手螺丝	Pressure bar wrench screw	1	1	1	1
35	52004140	扭簧	torsion spring	1	1	1	1
36	52001860	压杆扳手	Pressure bar wrench	1	1	1	1
37	52094908	一字平头螺钉M4X8 (发黑)	Flat head screw M4X8 (blackened)	1	1	1	1
38	52001880	限位板	limit plate	1	1	1	1
39	52001810	调节螺柱	Adjust the screw column	1	1	1	1
40	52001840	压杆调节螺母	Pressure rod adjustment nut	1	1	1	1
41	52002170	O型圈∅12x1.5	O-ring ∅ 12x1.5	2	2	2	2
42	52001830	螺纹套	threaded insert	1	1	1	1
43	52002180	O型圈∅11.5x0.9	O-ring ∅ 11.5x0.9	2	2	2	2
44	52004120	压杆弹簧	Compression rod spring	1	1	1	1
45	52001800	防油套	Oil proof sleeve	1	1	1	1
46	52001790	压杆套筒	Compression rod sleeve	1	1	1	1
47	52001820	压杆组件	Compression rod component	1	1	1	1
48	XXXXXXXX	压脚组件	Pressure foot component	1	1	1	1
49	02000049	一字螺钉 (黑色) M4X10	One letter screw (black) M4X10	2	2	2	2
50	13205590	空气管	air pipe	0.37m	0.37m	0.37m	0.37m
51	52021430	后接收装置	Rear receiving device	1	1	1	1
52	00804040	内紧定螺钉M4X4	Internal tightening screw M4X4	1	1	1	1
53	52112393	三联电磁阀气管组 (AT)	Triple solenoid valve tracheal group (AT)	1	1	1	1
54	52010250	压脚臂组件	Foot arm component	1	1	1	1
55	52010240	压杆调节组件	Pressure rod adjustment component	1	1	1	1
56	52112400	调压过滤器 (自动款)	Pressure regulating filter (automatic version)	1	1	1	1
57	52110370	压脚臂组	Foot compression arm group	1	1	1	1

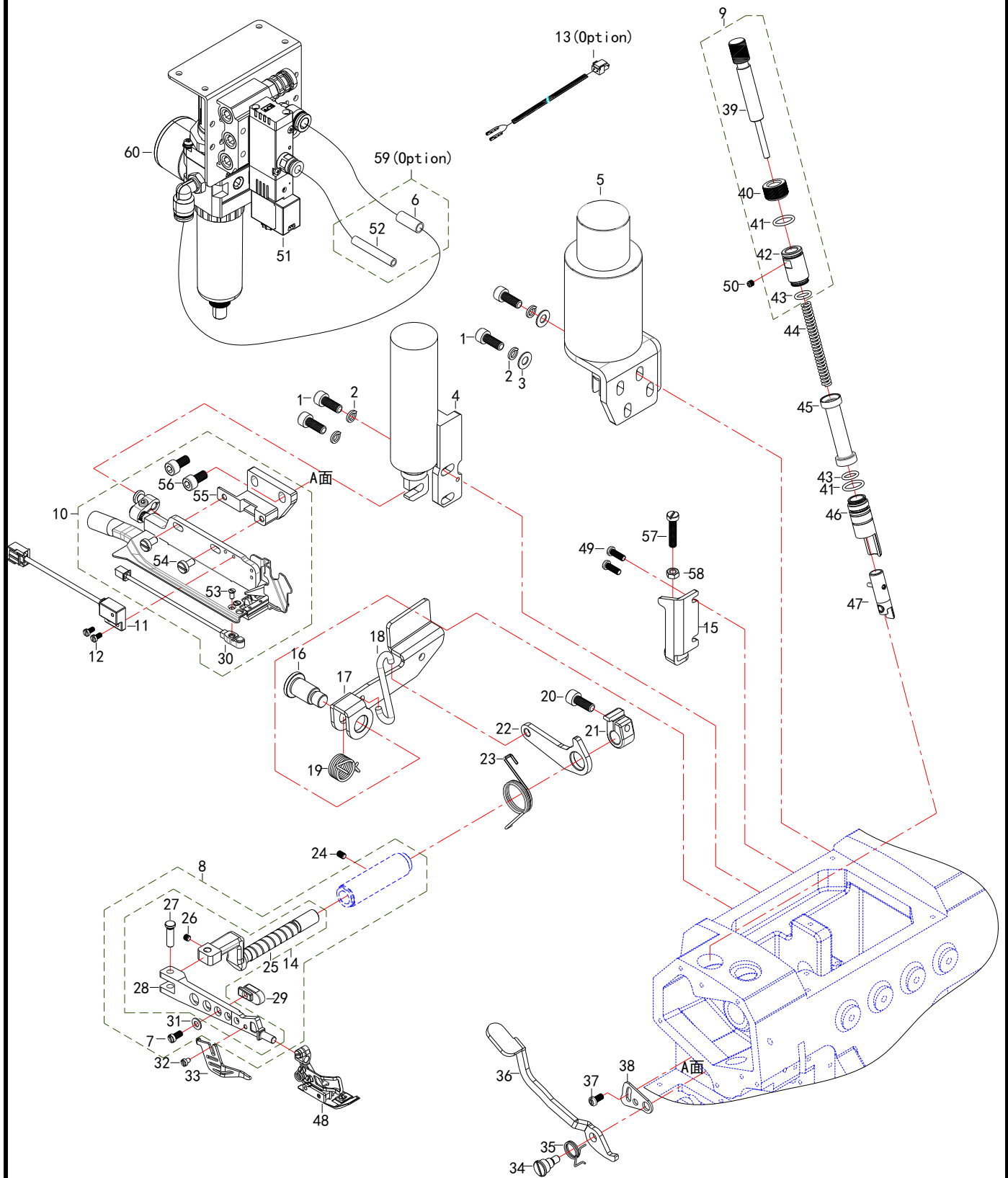
19. 抬压脚剪线机构 (AT) /Lifting and Pressing Foot Wire Cutting Mechanism (AT)



19. 抬压脚剪线机构 (AT) /Lifting and Pressing Foot Wire Cutting Mechanism (AT)

NO	零部件号	零部件名称	NAME OF PARTS	数量 (Number)			
				三线	四线	五线	六线
				three-thread	four-thread	five-thread	six-thread
58	52110243	三联电磁阀组件(AT)	Triple solenoid valve assembly (AT)	1	1	1	1
59	52110210	剪线气缸组件	Wire cutting cylinder component	1	1	1	1
60	52006990	弹簧垫圈6	Spring washer 6	4	4	4	4
61	00506050	平垫圈M6(发黑)	Flat washer M6 (blackened)	4	4	4	4
62	10126690	气管	trachea	0.6m	0.6m	0.6m	0.6m
63	10126690	气管	trachea	0.6m	0.6m	0.6m	0.6m
64	10126690	气管	trachea	0.6m	0.6m	0.6m	0.6m
65	10126690	气管	trachea	0.6m	0.6m	0.6m	0.6m
66	10126690	气管	trachea	0.8m	0.8m	0.8m	0.8m
67	52093506	一字沉头螺钉M3X6(发黑)	One letter countersunk head screw M3X6	1	1	1	1
68	52006770	一字平头螺钉SM11-64(40)	Flat head screw SM11-64 (40) (blackened)	2	2	2	2
69	52001139	刀架连接座	Knife holder connection seat	1	1	1	1
70	01206121	内六角螺栓M6X12	Hexagonal socket bolt M6X12	2	2	2	2
71	52094928	一字平头螺钉M4X8(发黑)	Flat head screw M4X8 (blackened)	1	1	1	1
72	52007562	三联线束	Triple wiring harness	1	1	1	1
73	52110370	压脚臂组	Foot compression arm group	1	1	1	1

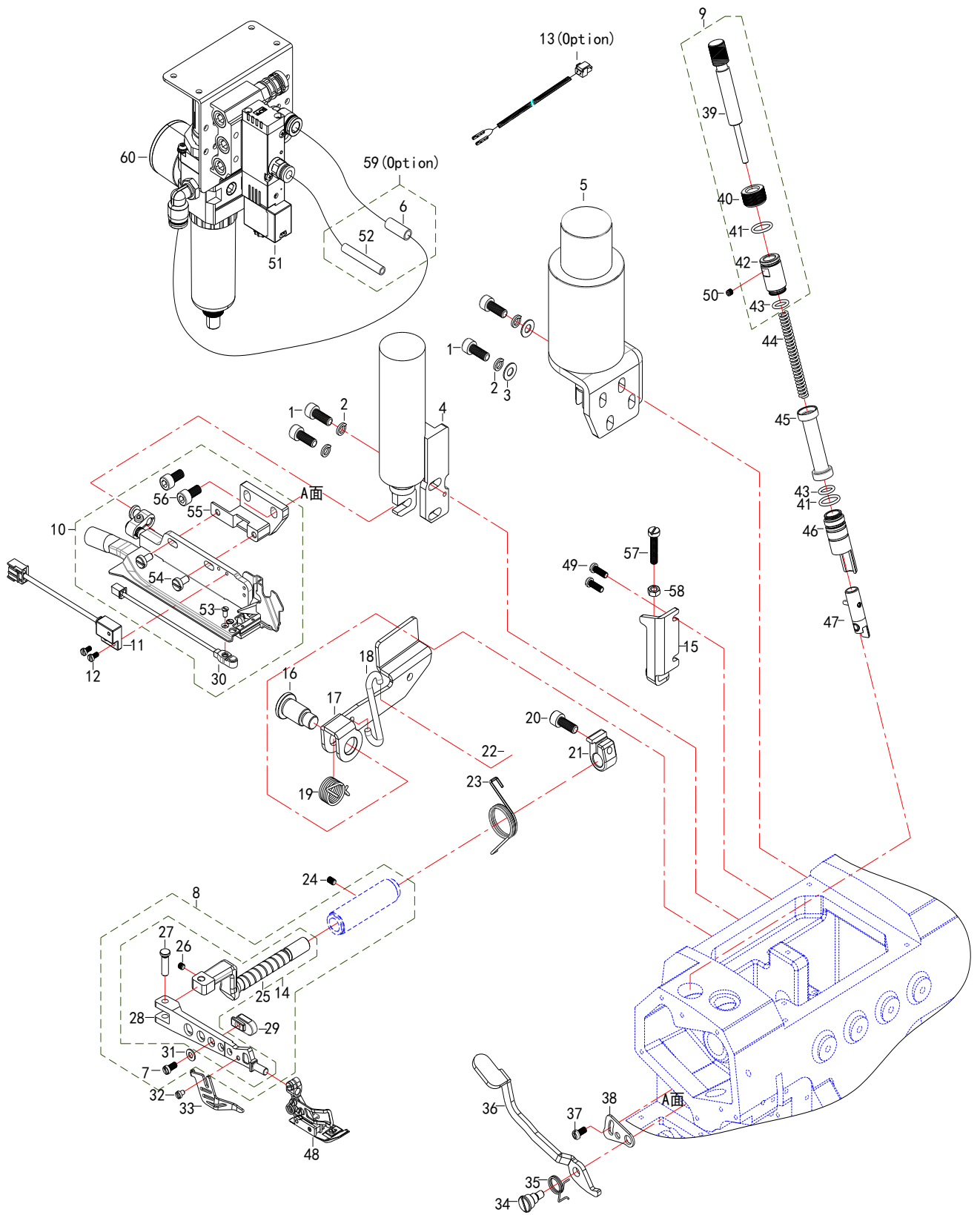
20. 抬压脚剪线机构 (ATD) /Lifting and Pressing Foot Wire Cutting Mechanism (ATD)



20. 抬压脚剪线机构 (ATD) /Lifting and Pressing Foot Wire Cutting Mechanism (ATD)

NO	零部件号	零部件名称	NAME OF PARTS	数量 (Number)			
				三线	四线	五线	六线
				three-thread	four-thread	five-thread	six-thread
1	52096216	内六角螺栓M6X16 (发黑)	Internal hexagon bolt M6X16 (blackened)	4	4	4	4
2	52006990	弹簧垫圈6	Spring washer 6	4	4	4	4
3	00506050	平垫圈M6 (发黑)	Flat washer M6 (blackened)	2	2	2	2
4	52007340	剪线电磁铁	Wire cutting electromagnet	1	1	1	1
5	52007350	抬压脚电磁铁	Lift foot electromagnet	1	1	1	1
6	13205590	空气管	air pipe	0.37m	0.37m	0.37m	0.37m
7	52094928	一字平头螺钉M4X8 (发黑)	Flat head screw M4X8 (blackened)	1	1	1	1
8	52010250	压脚臂组件	Foot arm component	1	1	1	1
9	52010240	压杆调节组件	Pressure rod adjustment component	1	1	1	1
10	52001130	切刀组件	Cutting blade component	1	1	1	1
11	52002320	安全开关	safety switch	1	1	1	1
12	52093927	一字平头螺钉M3X7 (发黑)	Flat head screw M3X7 (blackened)	2	2	2	2
13	52007560	一联线束	One wire harness	1	1	1	1
14	52110370	压脚臂组	Foot compression arm group	1	1	1	1
15	52001460	限位板	limit plate	1	1	1	1
16	52004400	抬压脚螺丝	Lift the foot screw	1	1	1	1
17	52007190	抬压脚杠杆	Lift the foot lever	1	1	1	1
18	52003170	挂勾	hook	1	1	1	1
19	52004420	弹簧	spring	1	1	1	1
20	52097215	内六角螺栓M6X15X0.75 (发黑)	Hexagonal socket bolt M6X15X0.75 (blackened)	1	1	1	1
21	52003020	复位圈	Reset Circle	1	1	1	1
22	52003030	小杠杆	Small leverage	1	1	1	1
23	52004150	弹簧	spring	1	1	1	1
24	00804061	内紧定螺钉 (黑色) M4X6	Internal tightening screw (black) M4X6	1	1	1	1
25	52003010	压脚轴	Pressure foot shaft	1	1	1	1
26	52094104	内六角平端紧定螺钉M4X0.5	Internal hexagon flat end set screw M4X0.5	1	1	1	1
27	52003050	连杆销	link pin	1	1	1	1
28	52003040	压脚臂	Presser foot arm	1	1	1	1
29	52007310	磁铁固定块	Magnet fixing block	1	1	1	1
30	52021430	后接收装置	Rear receiving device	1	1	1	1
31	00504111	垫圈黑色M4	Gasket black M4	1	1	1	1
32	52006760	一字平头螺钉SM1-8 (44)	Flat head screw SM1-8 (44)	1	1	1	1
33	52001950	切刀挡板	Cutting blade baffle	1	1	1	1
34	52001870	压杆扳手螺丝	Pressure bar wrench screw	1	1	1	1
35	52004140	扭簧	torsion spring	1	1	1	1
36	52001860	压杆扳手	Pressure bar wrench	1	1	1	1
37	52094908	一字平头螺钉M4X8 (发黑)	Flat head screw M4X8 (blackened)	1	1	1	1
38	52001880	限位板	limit plate	1	1	1	1
39	52001810	调节螺柱	Adjust the screw column	1	1	1	1
40	52001840	压杆调节螺母	Pressure rod adjustment nut	1	1	1	1
41	52002170	O型圈∅12x1.5	O-ring ∅ 12x1.5	2	2	2	2
42	52001830	螺纹套	threaded insert	1	1	1	1
43	52002180	O型圈∅11.5x0.9	O-ring ∅ 11.5x0.9	2	2	2	2
44	52004120	压杆弹簧	Compression rod spring	1	1	1	1
45	52001800	防油套	Oil proof sleeve	1	1	1	1
46	52001790	压杆套筒	Compression rod sleeve	1	1	1	1
47	52001820	压杆组件	Compression rod component	1	1	1	1
48	XXXXXXXX	压脚组件	Pressure foot component	1	1	1	1
49	02000049	一字螺钉 (黑色) M4X10	One letter screw (black) M4X10	2	2	2	2
50	00804040	内紧定螺钉M4X4	Internal tightening screw M4X4	1	1	1	1
51	52110240	一联电磁阀组件	One set of solenoid valve components	1	1	1	1
52	10126690	气管	trachea	0.8m	0.8m	0.8m	0.8m
53	52093506	一字沉头螺钉M3X6 (发黑)	One letter countersunk head screw M3X6 (blackened)	1	1	1	1
54	52006770	一字平头螺钉SM11-64 (40)	Flat head screw SM11-64 (40) (blackened)	2	2	2	2
55	52001139	刀架连接座	Knife holder connection seat	1	1	1	1
56	01206121	内六角螺栓M6X12	Hexagonal socket bolt M6X12	2	2	2	2
57	52095924	一字平头螺钉M5X24 (发黑)	Flat head screw M5X24 (blackened)	1	1	1	1

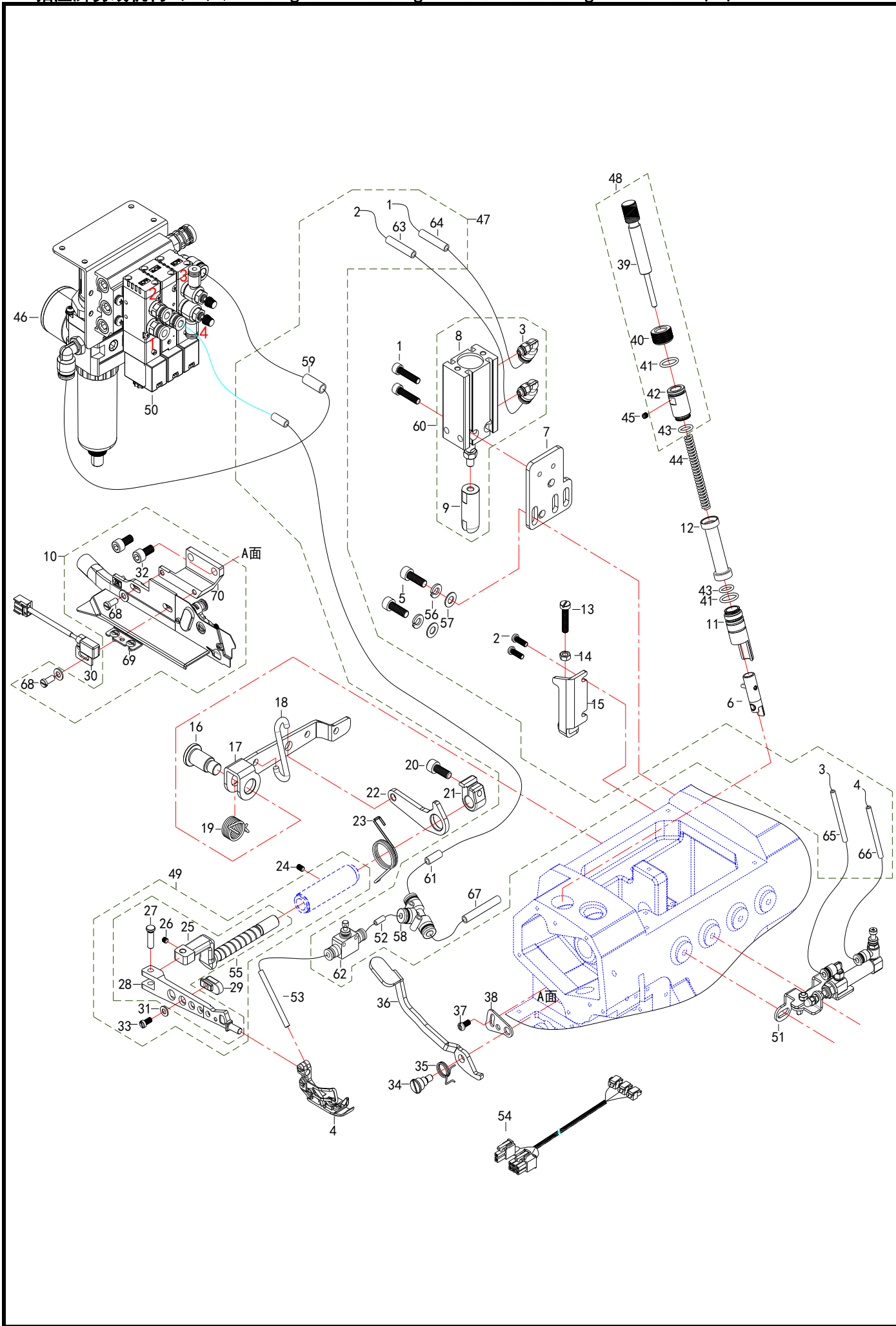
20. 抬压脚剪线机构 (ATD) /Lifting and Pressing Foot Wire Cutting Mechanism (ATD)



20. 抬压脚剪线机构 (ATD) /Lifting and Pressing Foot Wire Cutting Mechanism (ATD)

NO	零部件号	零部件名称	NAME OF PARTS	数量 (Number)			
				三线	四线	五线	六线
				three- thread	four- thread	five- thread	six- thread
58	52000660	螺母M5 (发黑)	Nut M5 (blackened)	1	1	1	1
59	52112390	一联电磁阀气管组	One solenoid valve air pipe group	1	1	1	1
60	52112400	调压过滤器 (自动款)	Pressure regulating filter (automatic versio	1	1	1	1

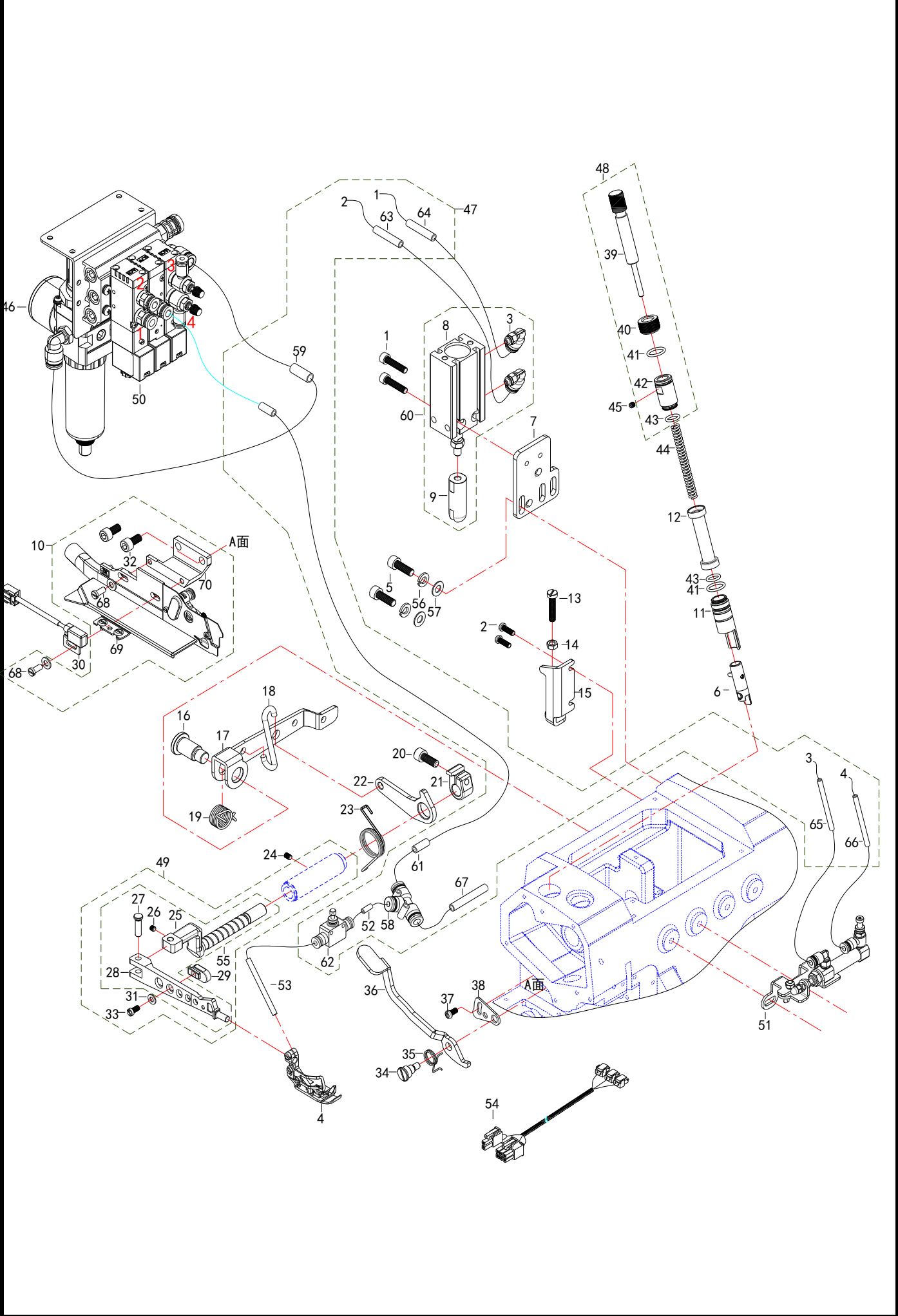
21. 抬压脚剪线机构 (KS) / Lifting and Pressing Foot Wire Cutting Mechanism (KS)



21. 抬压脚剪线机构 (KS) /Lifting and Pressing Foot Wire Cutting Mechanism (KS)

NO	零部件号	零部件名称	NAME OF PARTS	数量 (Number)			
				三线	四线	五线	六线
				three-thread	four-thread	five-thread	six-thread
1	52095222	内六角螺栓M5X22 (发黑)	Internal hexagon bolt M5X22 (blackened)	2	2	2	2
2	02000049	一字螺钉 (黑色) M4X10	One letter screw (black) M4X10	2	2	2	2
3	10490830	管接头D (简图)	Pipe joint D (schematic diagram)	2	2	2	2
4	XXXXXXX	压脚组件	Pressure foot component	1	1	1	1
5	52096216	内六角螺栓M6X16 (发黑)	Internal hexagon bolt M6X16 (blackened)	2	2	2	2
6	52001820	压杆组件	Compression rod component	1	1	1	1
7	52002400	气缸转接板	Cylinder adapter plate	1	1	1	1
8	52002410	气缸	cylinder	1	1	1	1
9	52002330	气动抬压脚压头	Pneumatic lifting foot pressure head	1	1	1	1
10	52003560	切刀组件 (侧吸刀)	Cutting blade assembly (side suction blade)	1	1	0	0
11	52001790	压杆套筒	Compression rod sleeve	1	1	1	1
12	52001800	防油套	Oil proof sleeve	1	1	1	1
13	52095924	一字平头螺钉M5X24 (发黑)	Flat head screw M5X24 (blackened)	1	1	1	1
14	52000660	螺母M5 (发黑)	Nut M5 (blackened)	1	1	1	1
15	52001460	限位板	limit plate	1	1	1	1
16	52004400	抬压脚螺丝	Lift the foot screw	1	1	1	1
17	52002980	抬压脚杠杆	Lift the foot lever	1	1	1	1
18	52003170	挂勾	hook	1	1	1	1
19	52004420	弹簧	spring	1	1	1	1
20	52097215	内六角螺栓M6X15X0.75 (发黑)	Hexagonal socket bolt M6X15X0.75 (blackened)	1	1	1	1
21	52003020	复位圈	Reset Circle	1	1	1	1
22	52003030	小杠杆	Small leverage	1	1	1	1
23	52004150	弹簧	spring	1	1	1	1
24	00804061	内紧定螺钉 (黑色) M4X6	Internal tightening screw (black) M4X6	1	1	1	1
25	52003010	压脚轴	Pressure foot shaft	1	1	1	1
26	52094104	内六角平端紧定螺钉M4X0.5	Internal hexagon flat end set screw M4X0.5	1	1	1	1
27	52003050	连杆销	link pin	1	1	1	1
28	52003040	压脚臂	Presser foot arm	1	1	1	1
29	52007310	磁铁固定块	Magnet fixing block	1	1	1	1
30	52006740	安全开关	safety switch	1	1	0	0
31	00504111	垫圈黑色M4	Gasket black M4	1	1	1	1
32	01206121	内六角螺栓M6X12	Hexagonal socket bolt M6X12	2	2	0	0
33	52094928	一字平头螺钉M4X8 (发黑)	Flat head screw M4X8 (blackened)	1	1	1	1
34	52001870	压杆扳手螺丝	Pressure bar wrench screw	1	1	1	1
35	52004140	扭簧	torsion spring	1	1	1	1
36	52001860	压杆扳手	Pressure bar wrench	1	1	1	1
37	52094908	一字平头螺钉M4X8 (发黑)	Flat head screw M4X8 (blackened)	1	1	1	1
38	52001880	限位板	limit plate	1	1	1	1
39	52001810	调节螺柱	Adjust the screw column	1	1	1	1
40	52001840	压杆调节螺母	Pressure rod adjustment nut	1	1	1	1
41	52002170	O型圈∅12x1.5	O-ring ∅ 12x1.5	2	2	2	2
42	52001830	螺纹套	threaded insert	1	1	1	1
43	52002180	O型圈∅11.5x0.9	O-ring ∅ 11.5x0.9	2	2	2	2
44	52004120	压杆弹簧	Compression rod spring	1	1	1	1
45	00804040	内紧定螺钉M4X4	Internal tightening screw M4X4	1	1	1	1
46	52112400	调压过滤器 (自动款)	Pressure regulating filter (automatic version)	1	1	0	0
47	52112392	三联电磁阀气管组 (KS)	Triple solenoid valve tracheal group (KS)	1	1	0	0
48	52010240	压杆调节组件	Pressure rod adjustment component	1	1	1	1
49	52010250	压脚臂组件	Foot arm component	1	1	1	1
50	52110242	三联电磁阀组件 (KS)	Triple solenoid valve component (KS)	1	1	0	0
51	52110200	松线组件	Loose wire component	1	1	0	0
52	15202960	空气管 (黑色) φ4	Air tube (black) with a diameter of 4	0.2m	0.2m	0	0
53	15202950	空气管 (透明) φ4	Air tube (transparent) with a diameter of 4	1.1m	1.1m	0	0
54	52007562	三联线束	Triple wiring harness	1	1	0	0
55	52110370	压脚臂组	Foot compression arm group	1	1	1	1
56	52006990	弹簧垫圈6	Spring washer 6	2	2	2	2
57	00506050	平垫圈M6 (发黑)	Flat washer M6 (blackened)	2	2	2	2

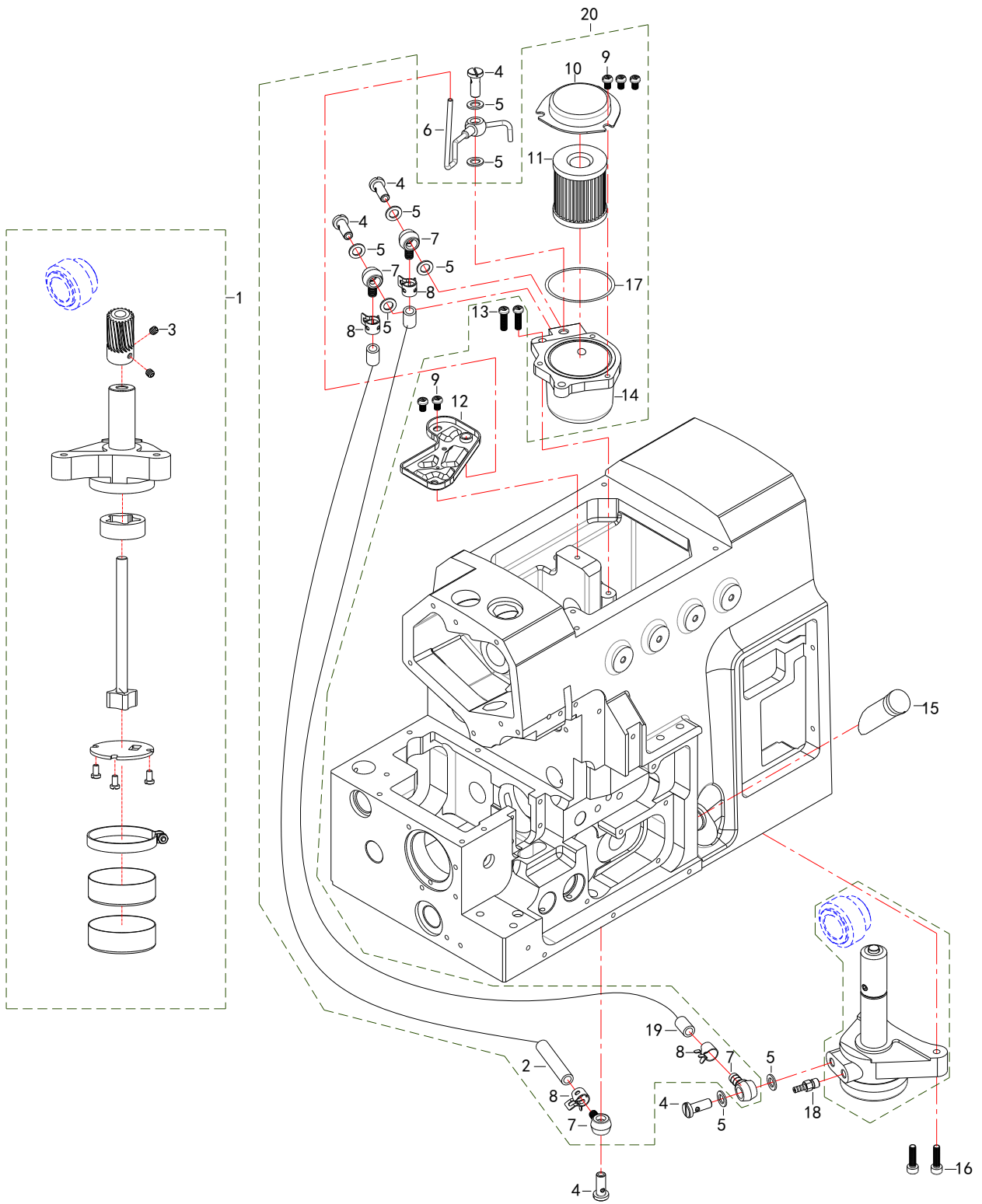
21. 抬压脚剪线机构 (KS) / Lifting and Pressing Foot Wire Cutting Mechanism (KS)



21. 抬压脚剪线机构 (KS) /Lifting and Pressing Foot Wire Cutting Mechanism (KS)

NO	零部件号	零部件名称	NAME OF PARTS	数量 (Number)			
				三线	四线	五线	六线
				three- thread	four- thread	five- thread	six- thread
58	10131200	T型三通管接头B	T-shaped tee joint B	1	1	0	0
59	13205590	空气管	air pipe	0.37m	0.37m	0	0
60	52110170	抬压脚气缸组件	Lift foot cylinder assembly	1	1	1	1
61	10126690	气管	trachea	0.3m	0.3m	0	0
62	10126570	调速阀	speed control valve	1	1	0	0
63	10126690	气管	trachea	0.6m	0.6m	0	0
64	10126690	气管	trachea	0.6m	0.6m	0	0
65	15202960	空气管(黑色) φ4	Air tube (black) with a diameter of 4	1m	1m	0	0
66	15202960	空气管(黑色) φ4	Air tube (black) with a diameter of 4	1m	1m	0	0
67	10126690	气管	trachea	0.8m	0.8m	0	0
68	52006770	一字平头螺钉SM11-64 (40)	Flat head screw SM11-64 (40) (blackened)	2	2	0	0
69	02000047	一字螺钉 (黑色) M4X6	One letter screw (black) M4X6	2	2	0	0
70	52003561	刀架连接座	Knife holder connection seat	1	1	0	0

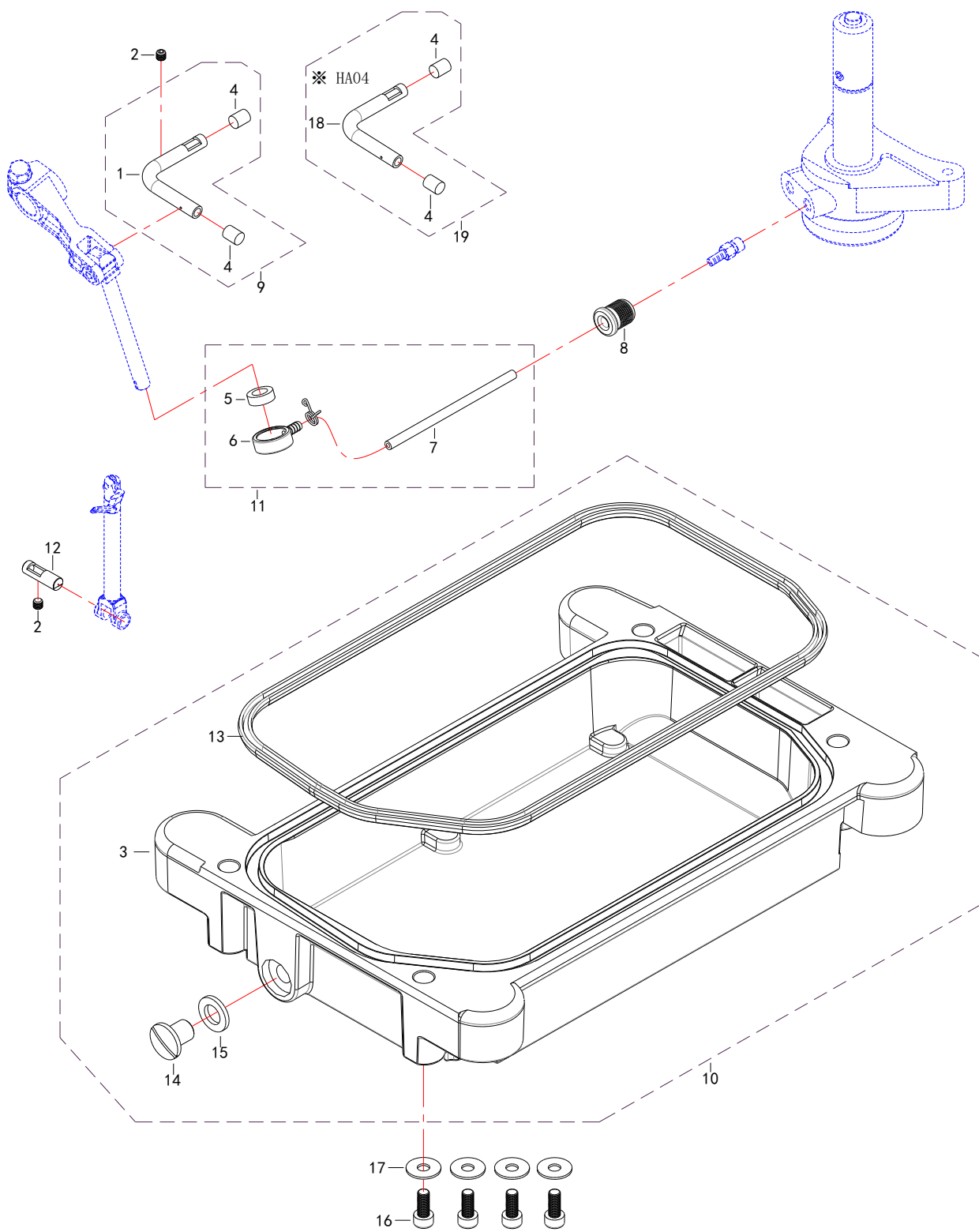
22. 供油机构 (1) / Oil supply mechanism (1)



22. 供油机构 (1) / Oil supply mechanism (1)

NO	零部件号	零部件名称	NAME OF PARTS	数量 (Number)			
				三线	四线	五线	六线
				three- thread	four- thread	five- thread	six- thread
1	52004901	油泵蜗杆组件	Oil pump worm component	1	1	1	1
2	52004910	油管 $\Phi 5 \times \Phi 8$	Oil pipe $\Phi 5 \times \Phi 8$	0.25m	0.25m	0.25m	0.25m
3	00805050	内紧定螺钉M5X5	Internal tightening screw M5X5	2	2	2	2
4	52003930	油路螺丝	Oil circuit screw	5	5	5	5
5	52003870	油路螺丝垫片	Oil circuit screw gasket	8	8	8	8
6	52003860	喷油管	Fuel injection pipe	1	1	1	1
7	52002780	油管接口	Oil pipe interface	4	4	4	4
8	52003880	油管卡簧	Oil pipe clamp spring	4	4	4	4
9	52094408	十字盘头螺钉M4X8 (发黑)	Cross pan head screw M4X8 (blackened)	5	5	5	5
10	52002770	滤油器盖	Oil filter cover	1	1	1	1
11	52002790	滤油器	oil filter	1	1	1	1
12	52002800	接油盘	oil drip pan	1	1	1	1
13	52094414	十字盘头螺钉M4X14 (发黑)	Cross pan head screw M4X14 (blackened)	2	2	2	2
14	52002760	油缸	hydraulic cylinder	1	1	1	1
15	52002480	油镜标示	Oil mirror marking	1	1	1	1
16	52094216	内六角螺栓M4X16 (发黑)	Internal hexagon bolt M4X16 (blackened)	2	2	2	2
17	52005330	O型圈41x1.8	O-ring 41x1.8	1	1	1	1
18	52004360	油管接头	hydraulic hose fitting	1	1	1	1
19	52004910	油管 $\Phi 5 \times \Phi 8$	Oil pipe $\Phi 5 \times \Phi 8$	0.20m	0.20m	0.20m	0.20m
20	52010280	油缸组件	Cylinder as	1	1	1	1

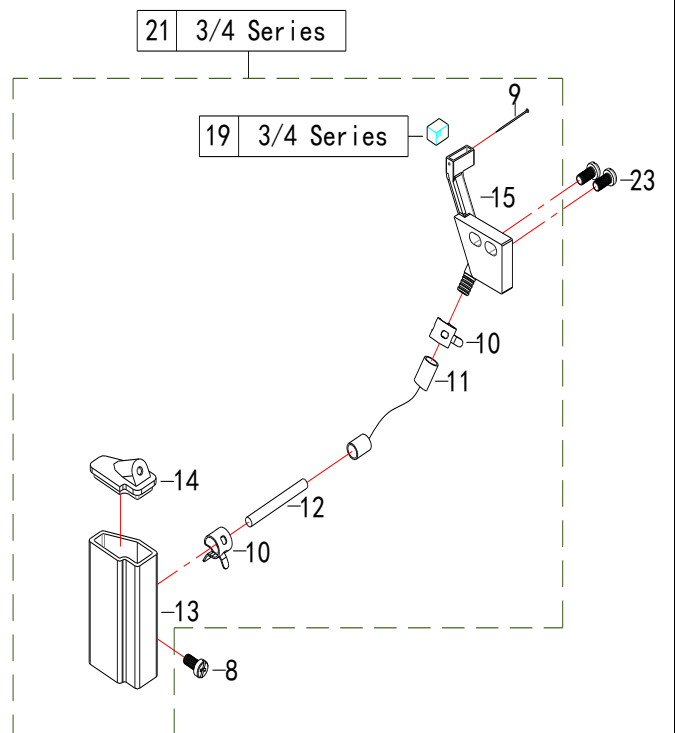
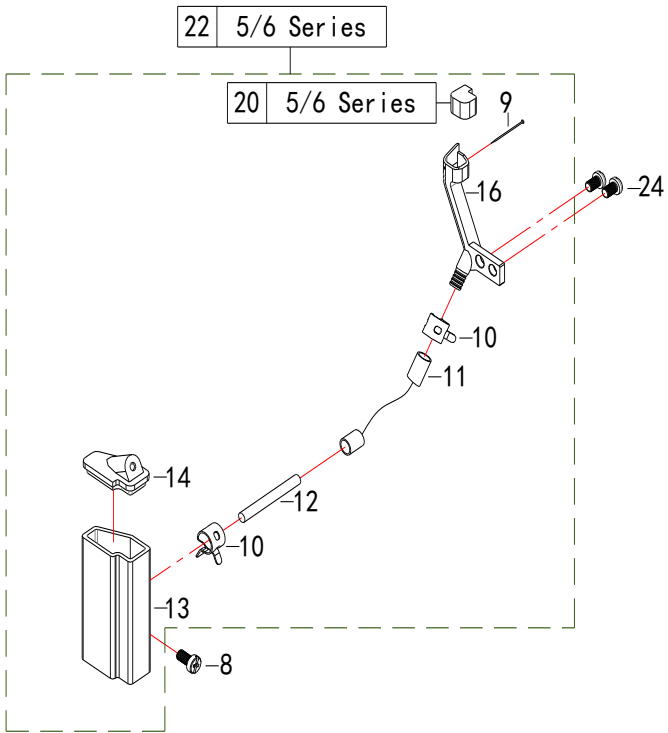
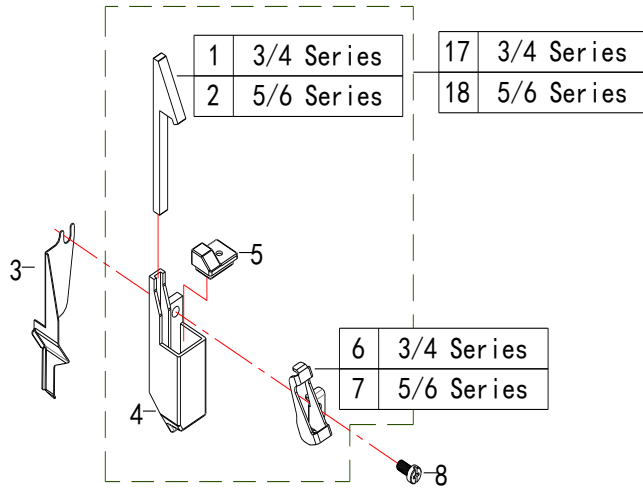
23. 供油机构 (2) / Oil supply mechanism (2)



23. 供油机构 (2) / Oil supply mechanism (2)

NO	零部件号	零部件名称	NAME OF PARTS	数量 (Number)			
				三线	四线	五线	六线
				three- thread	four- thread	five- thread	six- thread
1	52004040	针棒润滑油槽	Needle rod lubricating oil groove	1	1	1	1
2	00804040	内紧定螺钉M4X4	Internal tightening screw M4X4	2	2	2	2
3	52002350	油盘	an oil pan	1	1	1	1
4	52004940	橡胶塞	rubber stopper	2	2	2	2
5	52004340	毛毡	felt	1	1	1	1
6	52004370	吸油嘴	Oil suction nozzle	1	1	1	1
7	10583450	油管	YouTube	1	1	1	1
8	52004380	塞子	stopper	1	1	1	1
9	52110130	针棒润滑油槽组件	Needle rod lubricating oil groove compone	1	1	1	1
10	52010300	油盘组件	Oil Pan Assembly	1	1	1	1
11	52110120	吸油组件	Oil absorbing component	1	1	1	1
12	52004050	上钩针供油销	Hook needle oil supply pin	1	1	1	1
13	52004310	油盘垫	Oil pan pad	1	1	1	1
14	52004270	油盘放油螺丝	Oil pan drain screw	1	1	1	1
15	52004300	油封	oil seal	1	1	1	1
16	01205121	内六角螺栓M5X12 (黑色)	Internal hexagon bolt M5X12 (black)	4	4	4	4
17	52004220	平垫圈5	Flat washer 5	4	4	4	4
18	52004041	针棒润滑油槽	Needle rod lubricating oil groove	0	0	1	1
19	52110131	针棒润滑油槽组件	Needle rod lubricating oil groove compone	0	0	1	1

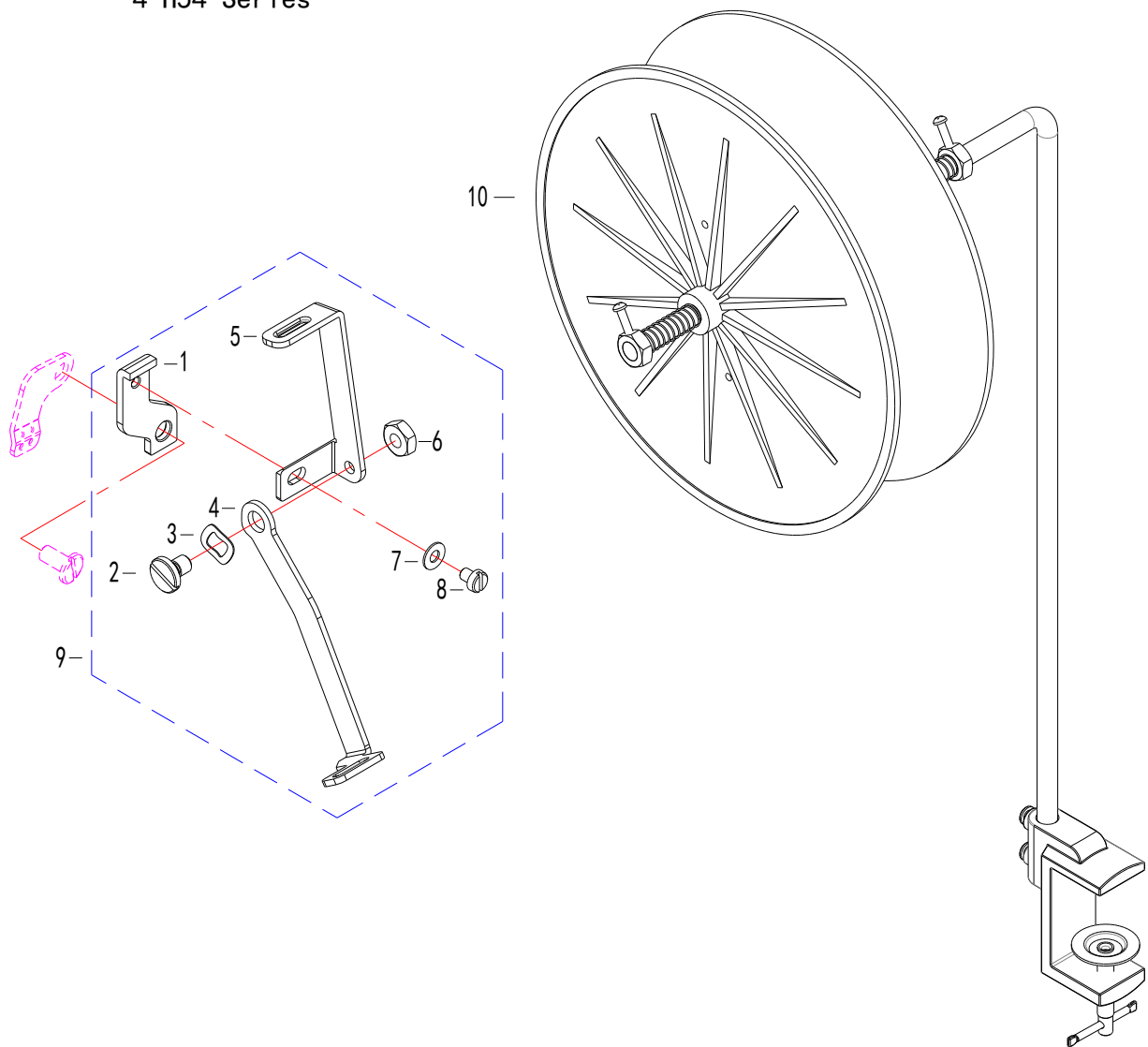
24. HR装置机构部件/HR device mechanism components



24. HR装置机构部件/HR device mechanism components

NO	零部件号	零部件名称	NAME OF PARTS	数量 (Number)			
				三线	四线	五线	六线
				three- thread	four- thread	five- thread	six- thread
1	52002520	毛毡 (3/4线)	Felt (3/4 thread)	1	1	0	0
2	52002521	毛毡 (5线)	Felt (5-wire)	0	0	1	1
3	52002530	硅油盒固定板	Silicone oil box fixing plate	1	1	1	1
4	52002490	上硅油盒	Upper silicone oil box	1	1	1	1
5	52002500	密封盖	sealing cover	1	1	1	1
6	52002510	过线架 (3/4线)	Wire rack (3/4 wire)	1	1	0	0
7	52002511	过线架 (5线)	Wire rack (5 wires)	0	0	1	1
8	52094410	十字盘头螺钉M4X10 (发黑)	Cross pan head screw M4X10 (blackened)	2	2	2	2
9	52004880	大头针	pin	1	1	1	1
10	52005370	油管卡簧	Oil pipe clamp spring	2	2	2	2
11	52004910	油管 $\Phi 5 \times \Phi 8$	Oil pipe $\Phi 5 \times \Phi 8$	1	1	1	1
12	52002160	油线	oil line	1	1	1	1
13	52001420	硅油壶 (下)	Silicone oil pot (bottom)	1	1	1	1
14	52001440	盖	cover	1	1	1	1
15	52001410	针冷却器 (3/4线)	Needle cooler (3/4 line)	1	1	0	0
16	52001411	针冷却器 (5线)	Needle cooler (5-wire)	0	0	1	1
17	52005050	上硅油盒组件 (3/4线)	Upper silicone oil box component (3/4 line)	1	1	0	0
18	52005051	上硅油盒组件 (5线)	Silicone oil box component (5-wire)	0	0	1	1
19	52005070	毛毡 (3/4线)	Felt (3/4 thread)	1	1	0	0
20	52005071	毛毡 (5线)	Felt (5-wire)	0	0	1	1
21	52005080	下硅油盒组件 (3/4线)	Lower silicone oil box component (3/4 line)	1	1	0	0
22	52005081	下硅油盒组件 (5线)	Lower silicone oil box component (5-wire)	0	0	1	1
23	52094412	十字盘头螺钉M4X12 (发黑)	Cross pan head screw M4X12 (blackened)	2	2	0	0
24	52094408	十字盘头螺钉M4X8 (发黑)	Cross pan head screw M4X8 (blackened)	0	0	2	2

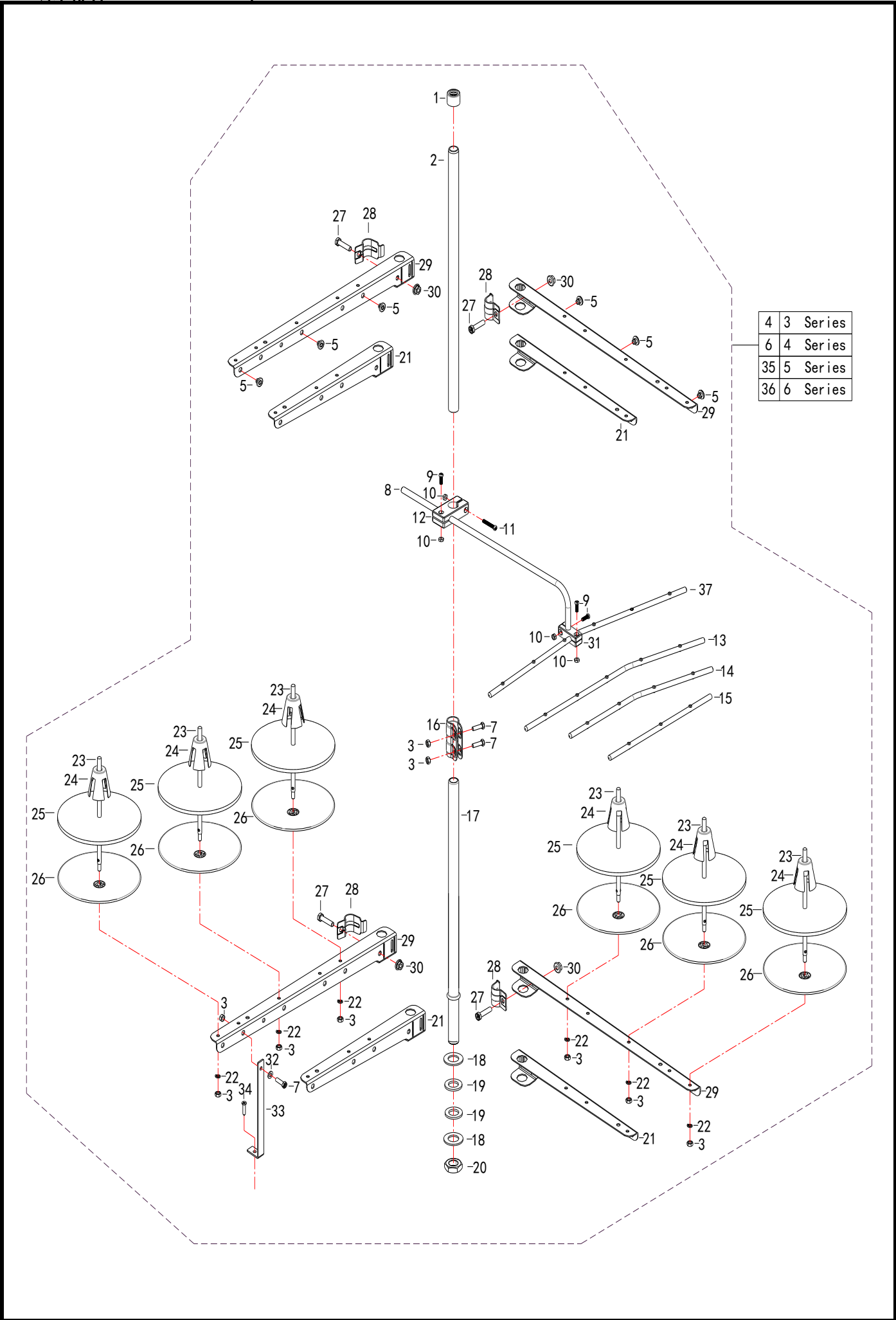
※ 4-53 Series
4-H54 Series



25. 专用零件/Specialized parts

NO	零部件号	零部件名称	NAME OF PARTS	数量 (Number)			
				三线	四线	五线	六线
				three- thread	four- thread	five- thread	six- thread
1	52007390	固定板	fixed plate	0	1	0	0
2	52007570	轴位螺钉	Axis screw	0	1	0	0
3	52003731	波形弹性垫圈6	Wave elastic washer 6	0	1	0	0
4	52007400	下支架	lower bracket	0	1	0	0
5	52007410	上支架	stent placement	0	1	0	0
6	02000074	支架钩螺母SM4. 37	Bracket hook nut SM4.37	0	1	0	0
7	52007260	平垫圈3	Flat washer 3	0	1	0	0
8	52093904	一字平头螺钉M3X4 (发黑)	Flat head screw M3X4 (blackened)	0	1	0	0
9	52010790	入带装置组件	Entering device components	0	1	0	0
10	52008320	立式捆条盘装置	Vertical bundling plate device	0	1	0	0

26. 线架部件/Wire frame components

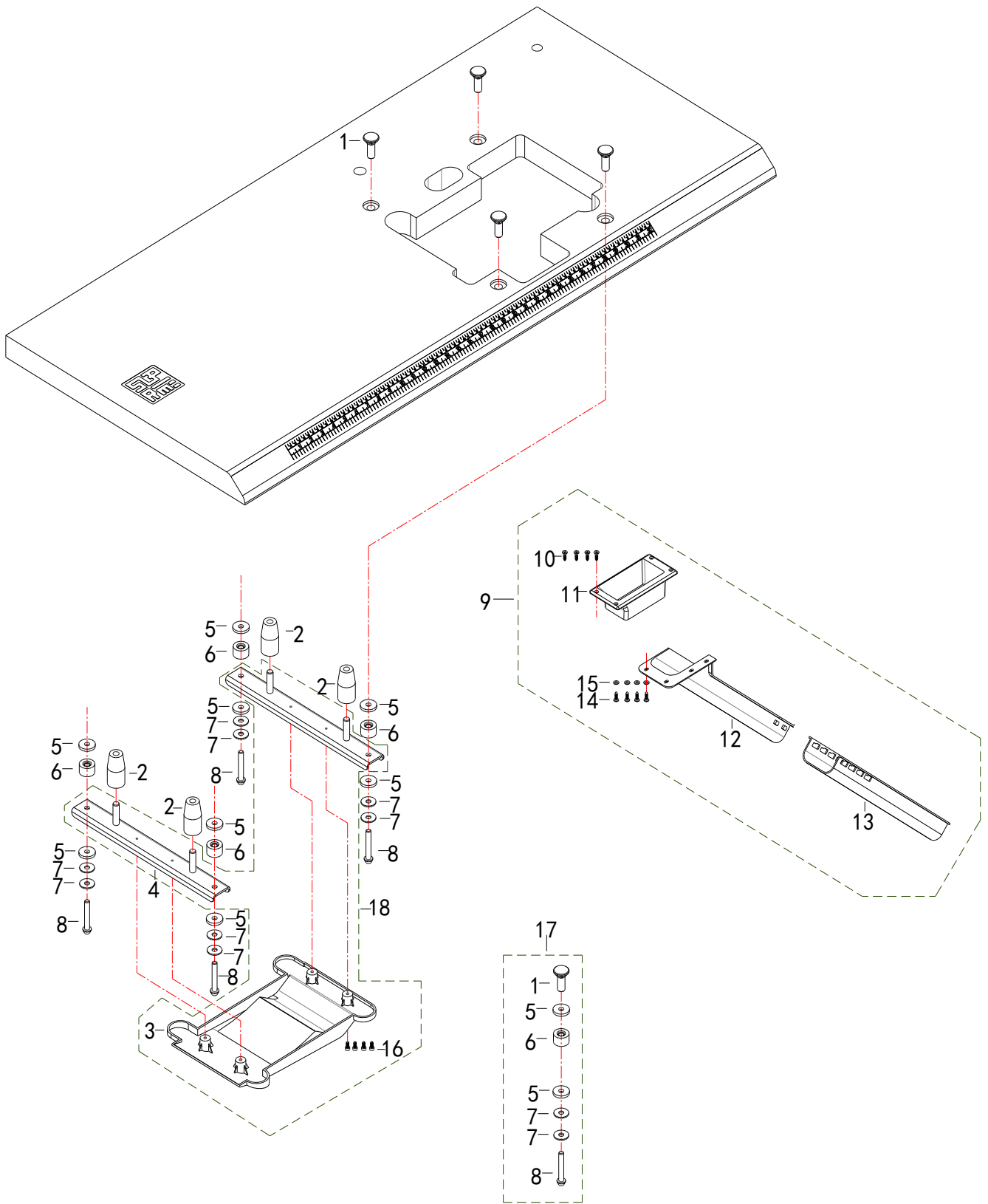


4	3	Series
6	4	Series
35	5	Series
36	6	Series

26. 线架部件/Wire frame components

NO	零部件号	零部件名称	NAME OF PARTS	数量 (Number)			
				三线	四线	五线	六线
				three-thread	four-thread	five-thread	six-thread
1	52005720	棒帽	Stick hat	1	1	1	1
2	52005730	上管	upper tube	1	1	1	1
3	00405380	螺母M5	Nut M5	6	7	8	9
4	52110000	线架组件 (三线)	Wire frame component (three wires)	1	0	0	0
5	52005760	过线环	Wire loop	3	4	5	6
6	52110001	线架组件 (四线)	Wire frame component (four wires)	0	1	0	0
7	52095314	十字槽凹穴六角头螺栓M5×	Cross groove concave hexagonal bolt M5×	3	3	3	3
8	52005880	导线棒	Wire rod	1	1	1	1
9	52094414	十字盘头螺钉M4X14(发黑)	Cross pan head screw M4X14 (blackened)	3	3	3	3
10	00404030	六角螺母M4	Hexagonal nut M4	4	4	4	4
11	52094425	十字盘头螺钉M4X25	Cross pan head screw M4X25	1	1	1	1
12	52005890	导线棒固定块	Wire rod fixing block	1	1	1	1
13	52005920	过线棒	Wire rod	0	0	1	0
14	52005910	过线棒	Wire rod	0	1	0	0
15	52005960	过线棒	Wire rod	1	0	0	0
16	52005840	套	set	1	1	1	1
17	52005830	下管	Lower tube	1	1	1	1
18	52003320	下管垫圈	Lower pipe gasket	2	2	2	2
19	52005850	橡胶垫圈	rubber gasket	2	2	2	2
20	10568430	六角螺母M16X1.5	Hexagonal nut M16X1.5	1	1	1	1
21	52005740	导线架 (短)	Wire rack (short)	0	4	2	0
22	10425640	弹簧垫圈	spring washer	3	4	5	6
23	52005810	线托棒	Wire support rod	3	4	5	6
24	52005800	线圈定位套	Coil positioning sleeve	3	4	5	6
25	52005790	线盘垫	Wire reel pad	3	4	5	6
26	52005780	线盘	wire spool	3	4	5	6
27	52096325	十字槽凹穴六角头螺栓M6×	Cross groove concave hexagonal bolt M6×	2	4	4	4
28	52005750	导线环	Wire loop	2	4	4	4
29	52005930	导线架 (长)	Wire rack (length)	2	0	2	4
30	52005770	M6六角法兰面螺母	M6 hexagonal flange nut	2	4	4	4
31	52005900	导线棒固定块	Wire rod fixing block	1	1	1	1
32	52003370	平垫圈5	Flat washer 5	1	1	1	1
33	52005950	支架	support	1	1	1	1
34	52003380	十字槽沉头木螺钉M4X20	Cross groove countersunk wood screw M4	1	1	1	1
35	52110002	线架组件 (五线)	Wire frame component (five wires)	0	0	1	0
36	52110003	线架组件 (六线)	Wire frame component (six wires)	0	0	0	1
37	52007460	过线棒	Wire rod	0	0	0	1

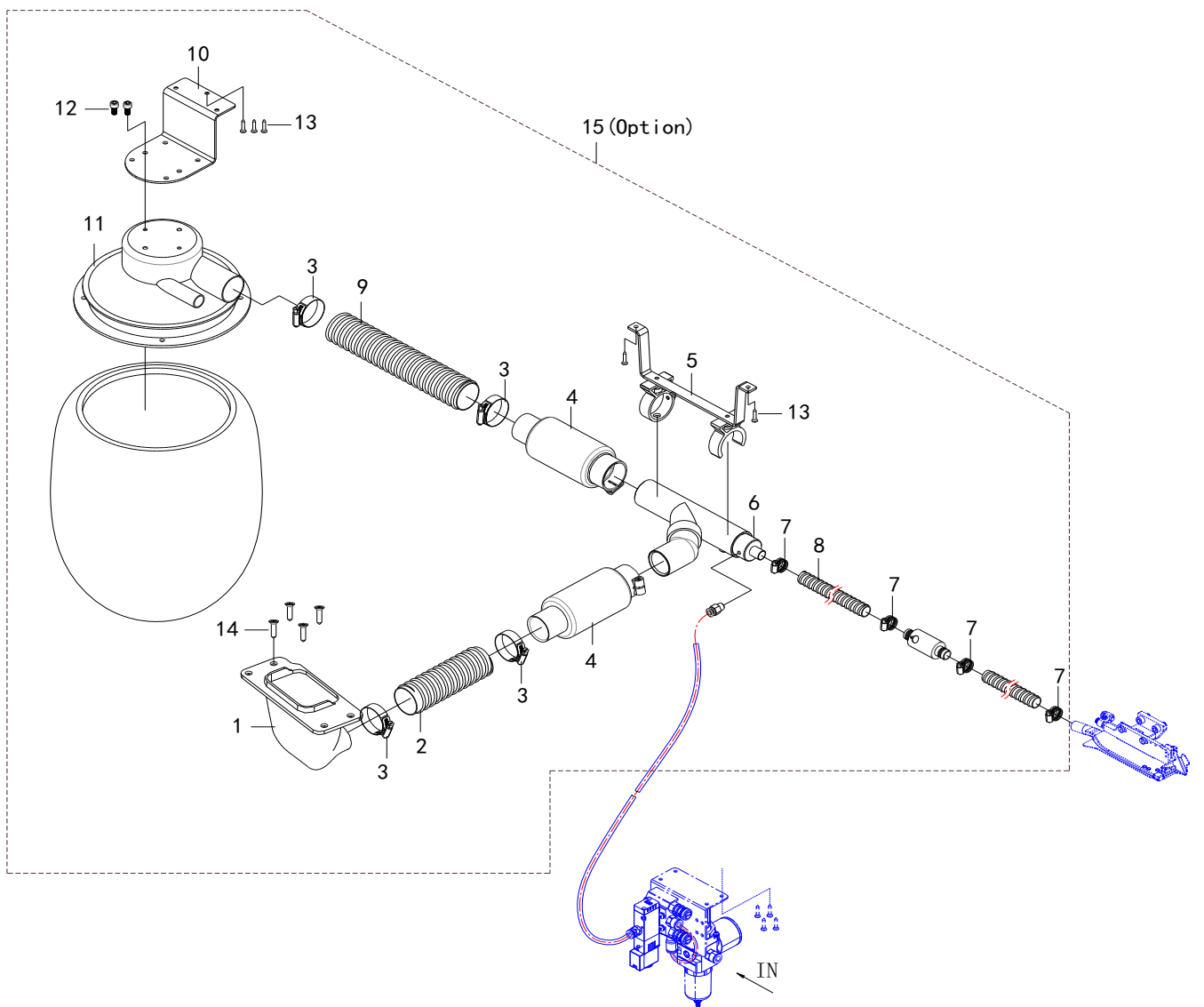
27. 托盘部件/Tray components



27. 托盘部件/Tray components

NO	零部件号	零部件名称	NAME OF PARTS	数量 (Number)			
				三线	四线	五线	六线
				three- thread	four- thread	five- thread	six- thread
1	52003530	托盘固定螺母	Tray fixing nut	4	4	4	4
2	52003550	托盘防震连接垫	Tray shockproof connection pad	4	4	4	4
3	52003450	托盘	pallet	1	1	1	1
4	52003460	托架	bracket	2	2	2	2
5	52003470	大垫圈	large washer	8	8	8	8
6	52003480	防震套	Anti vibration sleeve	4	4	4	4
7	00508070	平垫圈 L8	Flat washer L8	8	8	8	8
8	52003490	托盘内六角螺钉	Hexagonal screws inside the tray	4	4	4	4
9	52006420	落料斗组件	Drop hopper component	1	1	1	1
10	52003390	十字槽沉头自攻螺钉M4×16	Cross groove countersunk self tapping screw	4	4	4	4
11	52003500	排料槽座	Discharge trough seat	1	1	1	1
12	52003510	排料槽 I	Discharge tank I	1	1	1	1
13	52003520	排料槽 II	Discharge chute II	1	1	1	1
14	52003400	十字槽盘头自攻螺钉M4×16	Cross groove pan head self tapping screw	4	4	4	4
15	52003410	平垫圈5	Flat washer 5	4	4	4	4
16	52094209	内六角螺栓M4X9 (发黑)	Internal hexagon bolt M4X9 (blackened)	4	4	4	4
17	52110150	托盘固定螺栓组件	Tray fixing bolt assembly	4	4	4	4
18	52010500	托盘组件	Tray components	1	1	1	1

28. 吸风集尘装置(C)/Suction and dust collection device (C)



28. 吸风集尘装置(C)/Suction and dust collection device (C)

NO	零部件号	零部件名称	NAME OF PARTS	数量 (Number)			
				三线	四线	五线	六线
				three- thread	four- thread	five- thread	six- thread
1	52110041	吸屑漏斗组	Dust suction funnel group	1	1	1	1
2	52110030	螺旋管 Φ40X150	Spiral tube Φ 40X150	1	1	1	1
3	52110026	大喉箍	Big throat clamp	4	4	4	4
4	52110025	大消音器	Large muffler	2	2	2	2
5	52110029	真空发生器支架	Vacuum generator bracket	1	1	1	1
6	52110031	真空发生器	vacuum generator	1	1	1	1
7	52110036	小喉箍	Small throat clamp	4	4	4	4
8	52110344	刀组管(小螺旋管300+200)	Knife set tube (small spiral tube 300+200)	1	1	1	1
9	52110037	螺旋管 Φ40X250	Spiral tube Φ 40X250	1	1	1	1
10	52110033	Z型安装支架	Z-shaped installation bracket	1	1	1	1
11	52110034	集尘袋	dust bag	1	1	1	1
12	52097212	内六角螺栓M6X12 (发黑)	Hexagonal socket bolt M6X12 (blackened)	2	2	2	2
13	52110038	自攻螺丝	self-tapping screw	5	5	5	5
14	52110345	沉头自攻螺丝	Countersunk self tapping screw	4	4	4	4
15	52110020	气动集尘装置	Pneumatic dust collection device	1	1	1	1

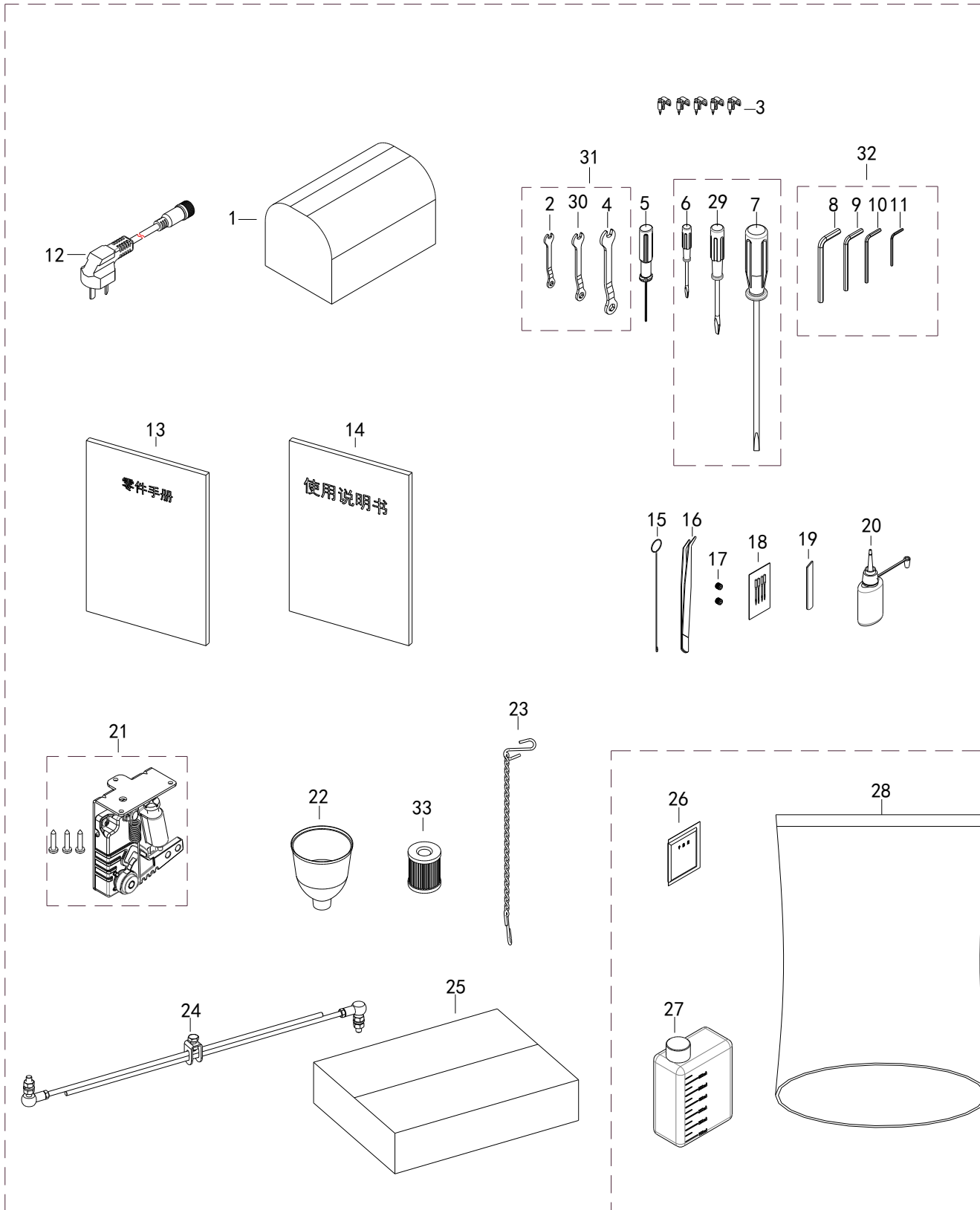
1(Optional)



29. 吸风集尘装置(E)/Suction and dust collection device (E)

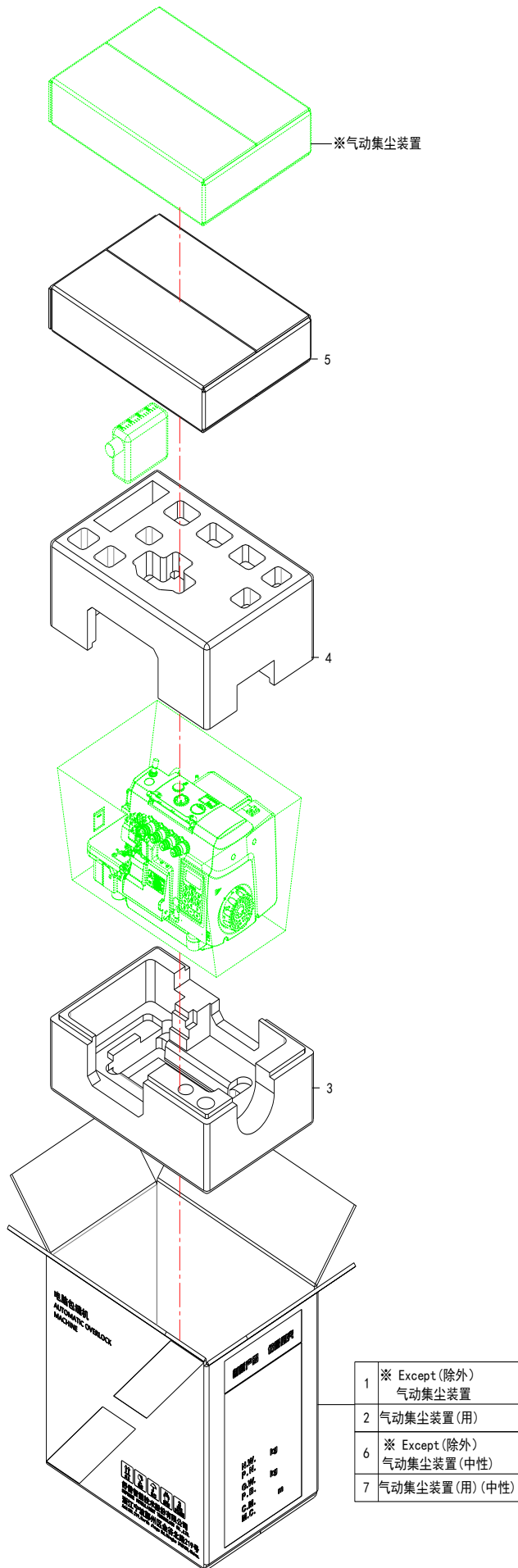
NO	零部件号	零部件名称	NAME OF PARTS	数量 (Number)			
				三线	四线	五线	六线
				three- thread	four- thread	five- thread	six- thread
1	52005980	无刷电动集尘装置	Brushless electric dust collection device	1	1	1	1

30. 附件部分/Attachments



30. 附件部分/Attachments

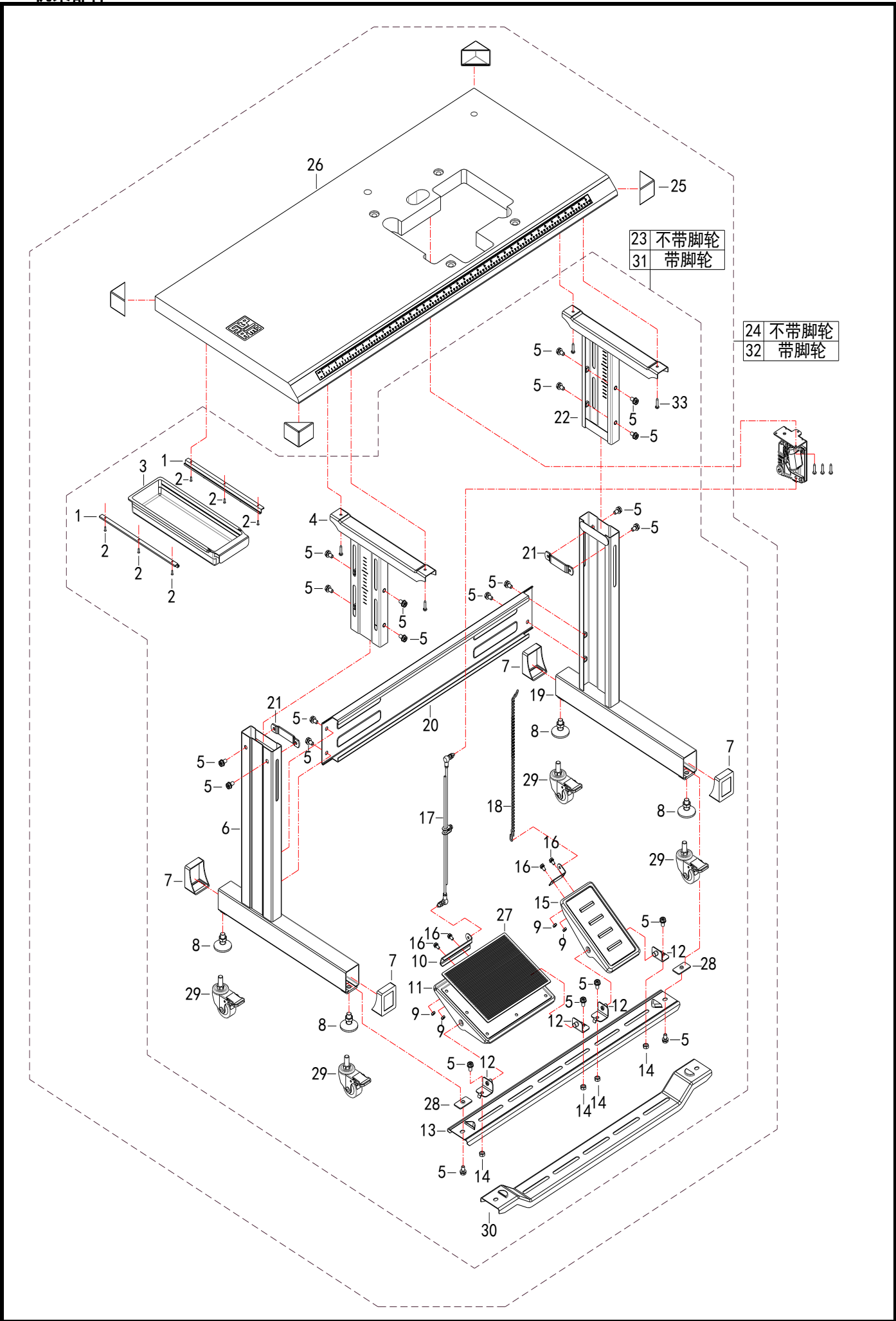
NO	零部件号	零部件名称	NAME OF PARTS	数量 (Number)			
				三线	四线	五线	六线
				three	four	five	six
1	52006090	机头罩	nose covering	1	1	1	1
2	52006590	扳手 (6mm)	Wrench (6mm)	1	1	1	1
3	10103670	U形卡钉10X20	U-shaped clip 10X20	5	5	5	5
4	52006050	扳手 (8mm)	Wrench (8mm)	1	1	1	1
5	52005990	直柄内六角螺丝刀 (1.5mm)	Straight handle hexagonal screwdriver (1.5mm)	1	1	1	1
6	52008010	一字螺丝刀 (小)	One letter screwdriver (small)	1	1	1	1
7	52007990	一字螺丝刀 (大)	One letter screwdriver (large)	1	1	1	1
8	10103640	内六角扳手5	Internal hexagon wrench 5	1	1	1	1
9	10103630	内六角扳手4	Internal hexagon wrench 4	1	1	1	1
10	10103620	内六角扳手3	Internal hexagon wrench 3	1	1	1	1
11	10103600	内六角扳手2	Hexagonal wrench 2	1	1	1	1
12	XXXXXXXX	电源线	power cord	1	1	1	1
13	XXXXXXXX	S5系列包缝机零件手册 (中)	S5 series overlock sewing machine parts manual (middle)	1	1	1	1
14	XXXXXXXX	S5系列包缝机使用说明书 (中)	S5 series overlock sewing machine user manual (middle)	1	1	1	1
15	52006060	线勾	Line hook	0	0	1	1
16	52006080	镊子	tweezers	1	1	1	1
17	52093103	内六角平端紧定螺钉M3X3	Internal hexagon flat end set screw M3X3	2	2	2	2
18	XXXXXXXX	机针	sewing machine needle	4	4	4	4
19	XXXXXXXX	下刀	Lower knife	1	1	1	1
20	52005090	硅油壶	Silicone oil pot	1	1	1	1
21	52006410	调速器	governor	1	1	1	1
22	52005940	漏斗	funnel	1	1	1	1
23	52006100	脚踏板链	Foot pedal chain	1	1	1	1
24	52006280	拉杆组件	Pull rod component	1	1	1	1
25	52003610	附件盒	Accessory box	1	1	1	1
26	10536280	50克干燥剂	50g desiccant	1	1	1	1
27	52006070	油壶 (大)	Oil pot (large)	1	1	1	1
28	52003800	机头塑料袋	Head plastic bag	1	1	1	1
29	52008000	一字螺丝刀 (中)	One letter screwdriver (middle)	1	1	1	1
30	52006230	扳手 (7mm)	Wrench (7mm)	1	1	1	1
31	52110180	扳手组	Wrench set	1	1	1	1
32	52110190	内六角扳手组	Allen key set	1	1	1	1
33	52002790	滤油器	oil filter	1	1	1	1



31. 包装部分/Packing

NO	零部件号	零部件名称	NAME OF PARTS	数量 (Number)			
				三线	四线	五线	六线
				three	four	five	six
1	52004810	纸箱	carton	1	1	1	1
2	52004811	纸箱	carton	1	1	1	1
3	52004800	保利龙下座	Poly Dragon Seat	1	1	1	1
4	52004790	保利龙上座	Poly Dragon Upper Seat	1	1	1	1
5	52003610	附件盒	Accessory box	1	1	1	1
6	52004812	纸箱 (中性)	Carton (neutral)	1	1	1	1
7	52004813	纸箱 (中性)	Carton (neutral)	1	1	1	1

32. 机架部件

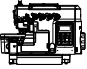
















32. 机架部件

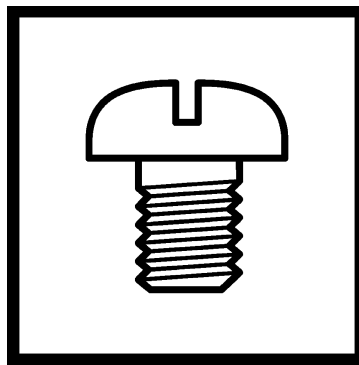
NO	零部件号	零部件名称	NAME OF PARTS	数量 (Number)			
				三线	四线	五线	六线
				three	four	five	six
1	52006320	零件导轨		2	2	2	2
2	52003420	十字槽沉头木螺钉M3X12		6	6	6	6
3	52006330	零件盒		1	1	1	1
4	52005660	机架上节左		1	1	1	1
5	52098316	十字槽凹穴六角头螺栓M8×16 (带垫圈)		22	22	22	22
6	52005670	机架下节左		1	1	1	1
7	52006430	机架座套		4	4	4	4
8	52006340	支座		4	4	4	4
9	00406050	螺母M6		4	4	4	4
10	52006270	踏板连接件 (大)		1	1	1	1
11	52006380	脚踏板 (大)		1	1	1	1
12	52006440	踏板固定件		4	4	4	4
13	52006350	踏板安装板		1	1	1	1
14	00408060	六角螺母 M8 (厚6.5mm)		4	4	4	4
15	52006370	脚踏板 (小)		1	1	1	1
16	52096312	十字槽凹穴六角头螺栓M6×12 (带垫圈)		4	4	4	4
17	52006280	拉杆组件		1	1	1	1
18	52006100	脚踏板链		1	1	1	1
19	52005700	机架下节右		1	1	1	1
20	52006360	机架连接板		1	1	1	1
21	52006300	机架固定板		2	2	2	2
22	52005690	机架上节右		1	1	1	1
23	52110161	机架组件		1	1	1	1
24	52110160	机架台板组件		1	1	1	1
25	52006400	台板护套		4	4	4	4
26	52006260	台板		1	1	1	1
27	52006390	脚踏板垫 (大)		1	1	1	1
28	52006310	踏板安装板固定板		2	2	2	2
29	52006341	脚轮		4	4	4	4
30	52006351	踏板安装板		1	1	1	1
31	52110162	机架组件		1	1	1	1
32	52110163	机架台板组件		1	1	1	1
33	52003440	十字槽盘头自攻螺钉M5×24		4	4	4	4

33. 标准度量零件表

注: S5 (*) 所包含的机型类型: S5、S5F

 机型 MACHINE TYPE/SPEC	间距 GAUGE		 针板 NEEDLE PLATE	 主送齿组件 MAIN FEED DOG ASSM.		 差动传动齿 DIFF. FEED DOG	 压脚组件 PRESSER FOOT ASSM.	 上钩针 UPPER LOOPER	 针留 NEEDLE HOLDER	 针号 NEEDLE
	NG	SW								
S5(*)-3-03/333	0	4	52030040	52003360 52003340 52000680	52003350	52031040	52001170(2)	52000890	52002880 DCX27#11	
S5-3-H04/433	0	4	52030040	52003360 52003340 52000680	52003350	52031040	52001170(2)	52000890	10601070 DCX27#14	
S5(*)-4-03/333	2	4	52040240	52003360 52003340 52000680	52003350	52041240	52001240(5)	52001390	52002880 DCX27#11	
	3	4	52040341	52003360 52003340 52000680	52003350	52041341	52001240(5)	52001390	52002880 DCX27#11	
S5(*)-4-H04/445	2	4	52040241	52003120 52003130 52000680	52003220	52041240	52003690(4)	52001390	10601070 DCX27#14	
S5(*)-4-53/333	2	4	52040240	52003360 52003340 52000680	52003350	52041241	52001240(5)	52001390	52002880 DCX27#11	
S5(*)-4-H54/433	2	4	52040240	52003360 52003340 52000680	52003350	52041241	52003680(3)	52001390	10601070 DCX27#14	
S5(*)-4-H04/433	2	4	52040240	52003360 52003340 52000680	52003350	52041240	52003680(3)	52001390	10601070 DCX27#14	
S5(*)-5-03/333	3	4	52050340	52005310 52000670 52000680	52003430	52051350	52001240(5)	52003330	10601070 DCX27#14	
	3	5	52050350	52005310 52000670 52000680	52003430	52051350	52001240(5)	52003330	10601070 DCX27#14	
S5(*)-5-A04/435	5	5	52050551	52005310 52003080 52003100	52003110	52051551	52003680(3)	52004611	52007230 DCX27#18	
	5	6	52050561	52003080 52003090 52003100	52003110	52051551	52003680(3)	52004611	52007230 DCX27#18	
S5(*)-5-HA04/435	5	5	52050551	52003080 52003090 52003100	52003110	52051551	52003680(3)	52004611	52007230 DCX27#18	
	5	6	52050561	52003080 52003090 52003100	52003110	52051551	52003680(3)	52004611	52007230 DCX27#18	
S5(*)-6-03/333	3x2	4	52060324	52005310 52000670 52000680	52000690	52061324	52001240(5)	52007520	52002880 DCX27#11	
	5x2	4	52060524	52005310 52000670 52000680	52000690	52061524	52001240(5)	52007521	52002880 DCX27#11	
S5(*)-6-A04/435	5x3	4	52060534	52003080 52003090 52003100	52003110	52061534	52003680(3)	52007522	52007230 DCX27#18	
S5(*)-6-HA04/435	5x3	4	52060534	52003080 52003090 52003100	52003110	52061534	52003680(3)	52007522	52007230 DCX27#18	
S5(*)-6-A04/425	5x3	4	52065534	52009150 52009151 52009152	52009160	52061534	52003680(3)	52007522	52007230 DCX27#18	

 机型 MACHINE TYPE/SPEC	间距 GAUGE		 上刀 UPPER KINIFE	 下刀 LOWER KINIFE	 下钩针 LOWER LOOPER	 环钩针 CHAINSTITCH LOOPER	 弯针护针 OVERLOCK NEEDLE GUARO		 机针护针 CHAINSTITCH NEEDLE	
	NG	SW					前 FRONT	后 REAR	前 FRONT	后 REAR
S5(*)-3-03/333	0	4	52001010	52001320	52002690	\	\	52003910	52001300	\
S5-3-H04/433	0	4	52001010	52001320	52002690	\	\	52003910	52001300	\
S5(*)-4-03/333	2	4	52001010	52001320	52002690	\	\	52003910	52001300	\
	3	4	52001010	52001320	52002690	\	\	52003910	52001300	\
S5(*)-4-H04/445	2	4	52001010	52001320	52003660	\	\	52003910	52001300	\
S5(*)-4-53/333	2	4	52001010	52001320	52002690	\	\	52003910	52001300	\
S5(*)-4-H54/433	2	4	52001010	52001320	52002690	\	\	52003910	52001300	\
S5(*)-4-H04/433	2	4	52001010	52001320	52002690	\	\	52003910	52001300	\
S5(*)-5-03/333	3	4	52001010	52001320	52002690	52000840	52001400	52003910	52001301	52001290
	3	5	52001010	52001320	52002690	52000840	52001400	52003910	52001301	52001290
	5	5	52001010	52001320	52002690	52000840	52001400	52003910	52001301	52001290
S5(*)-5-A04/435	5	5	52003270	52003280	52002690	52000840	52001400	52003910	52001301	52001290
	5	6	52003270	52003280	52002690	52000840	52001400	52003910	52001301	52001290
S5(*)-5-HA04/435	5	5	52003270	52003280	52002690	52000840	52001400	52003910	52001301	52001290
	5	6	52003270	52003280	52002690	52000840	52001400	52003910	52001301	52001290
S5(*)-6-03/333	3x2	4	52001010	52001320	52002690	52000840	52001400	52003910	52001301	52001290
	5x2	4	52001010	52001320	52002690	52000840	52001400	52003910	52001301	52001290
S5(*)-6-A04/435	5x3	4	52003270	52003280	52002690	52000840	52001400	52003910	52001301	52001290
S5(*)-6-HA04/435	5x3	4	52003270	52003280	52002690	52000840	52001400	52003910	52001301	52001290
S5(*)-6-A04/425	5x3	4	52003270	52003280	52002690	52000840	52001400	52003910	52001301	52001290



零件手册
PARTS BOOK