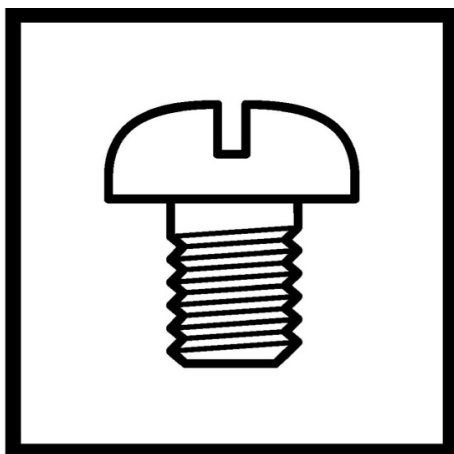


在使用机器之前请阅读本零件手册。  
请将本零件手册放在便于查阅的地方保管。  
Please read this parts book before using the machine.  
Please keep this parts book within easy reach for quick reference.

---

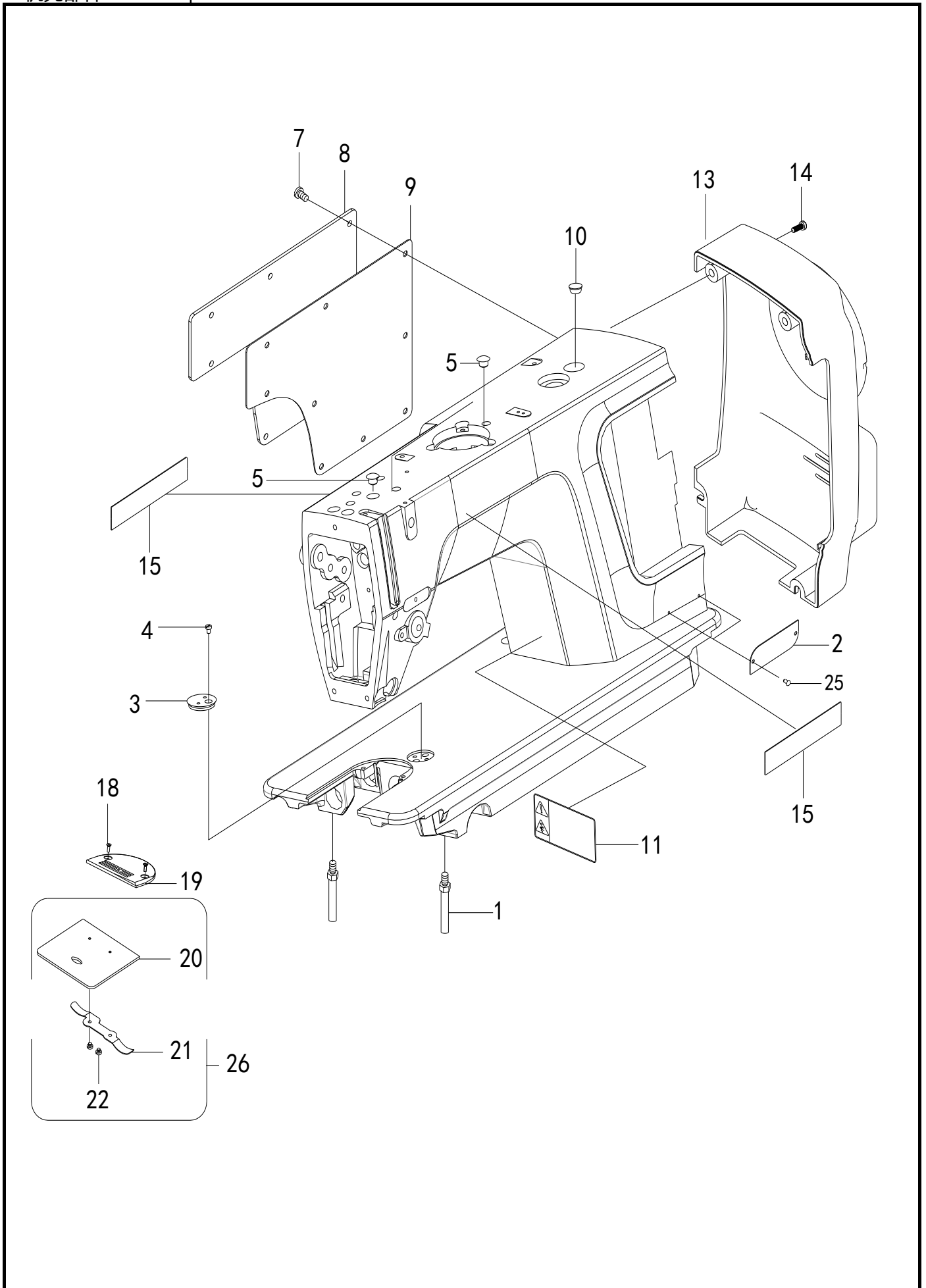
## 电脑平缝机 Computerized Lock stitch machine



## 目 录/CONTENTS

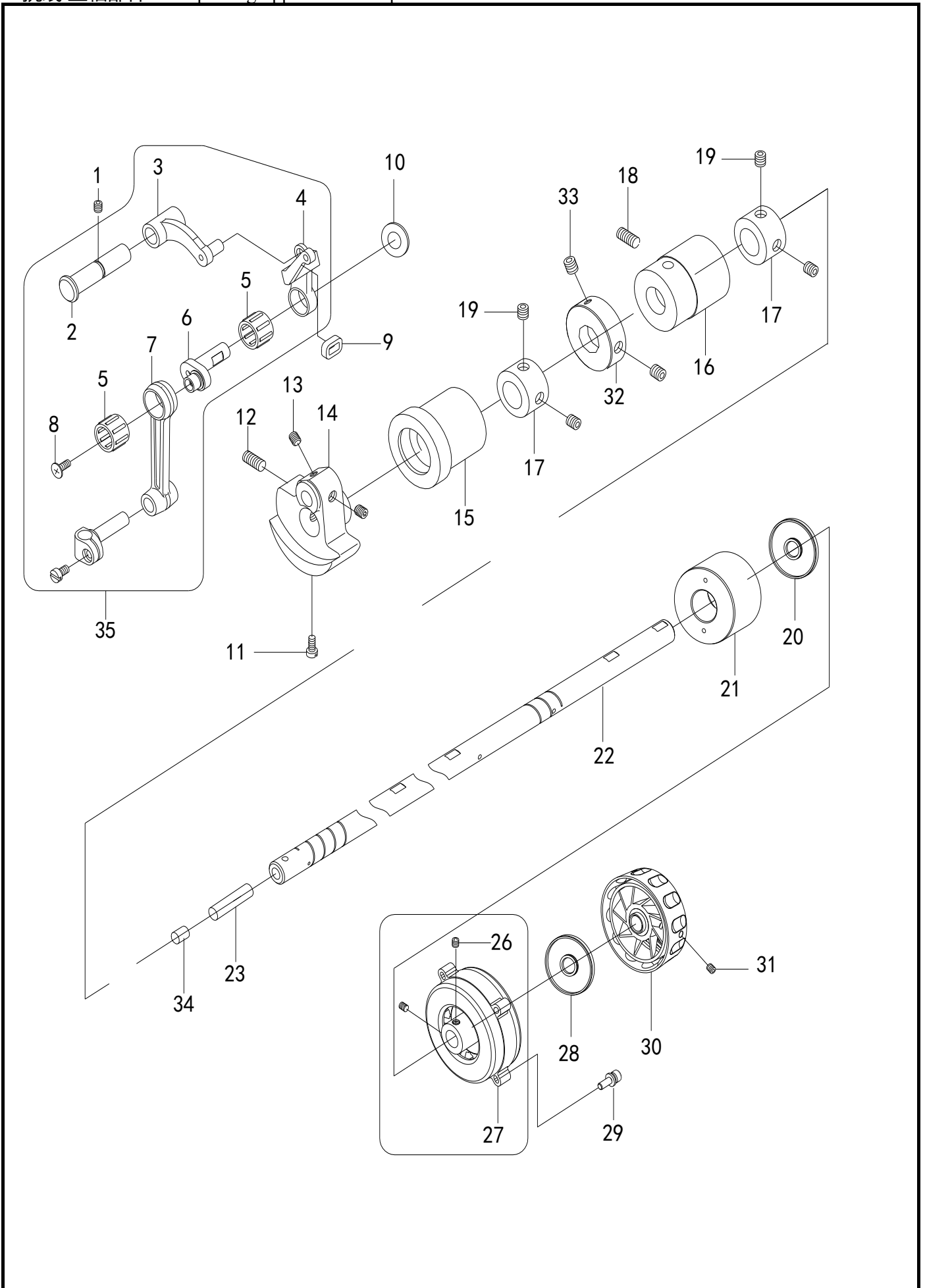
1 机壳部件/Shell components	1
2 挑线/上轴部件/Wire picking/upper shaft components	3
3 针杆竖轴装置/ Needle bar vertical axis device	5
4 压脚装置/Foot press device	7
5 送料部件/Feeding components	9
6 旋梭装置/Rotary shuttle device	13
7 穿绕线装置/Threading and winding device	15
8 自动切剪部分/Automatic cutting section	17
9 供油润滑装置/Oil supply lubrication device	19
10 电控/ECU	21
11 油盒/Oil box	23
12 附件/Attachment	25

1.机壳部件/Shell components



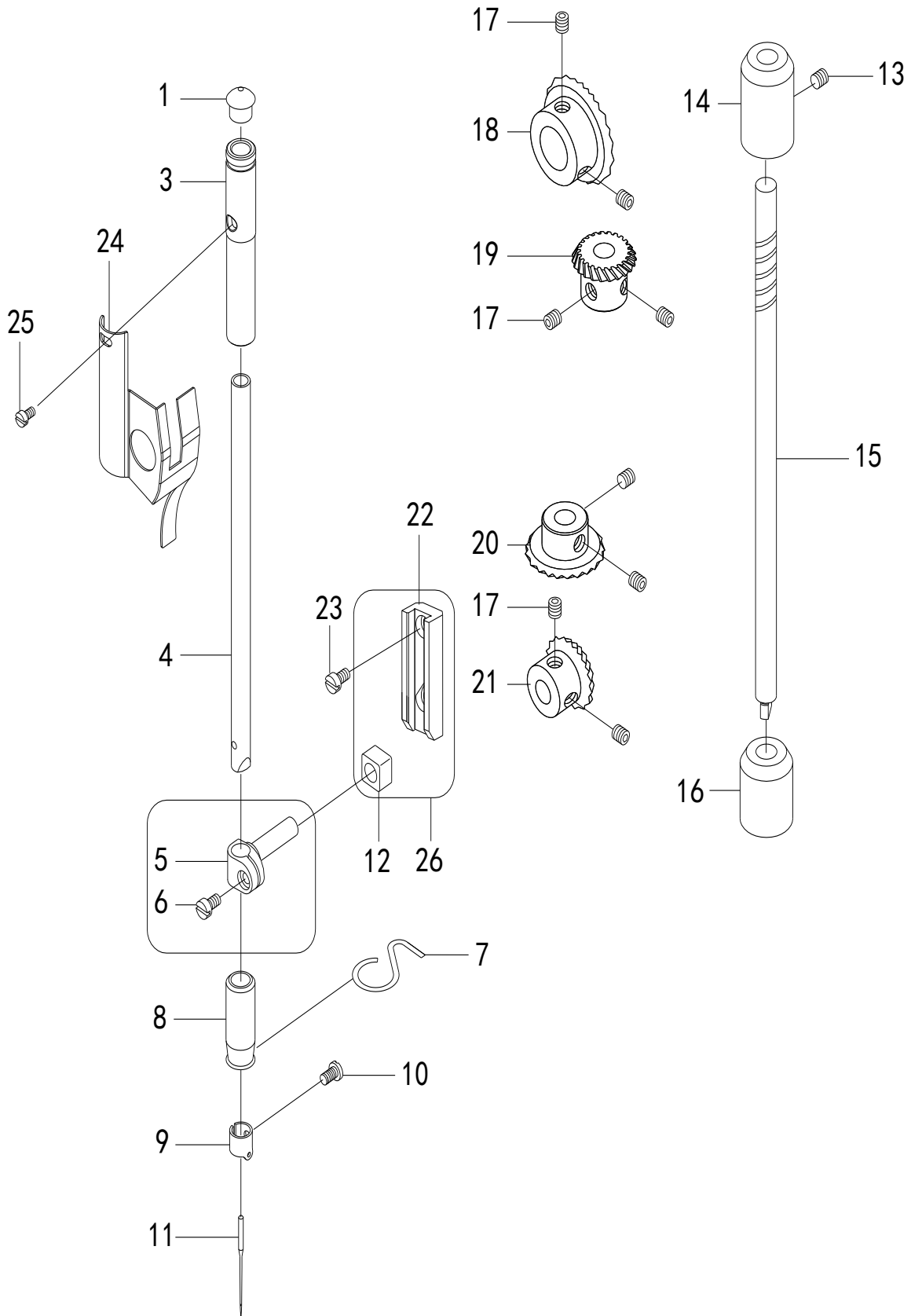


2.挑线/上轴部件/Wire picking/upper shaft components



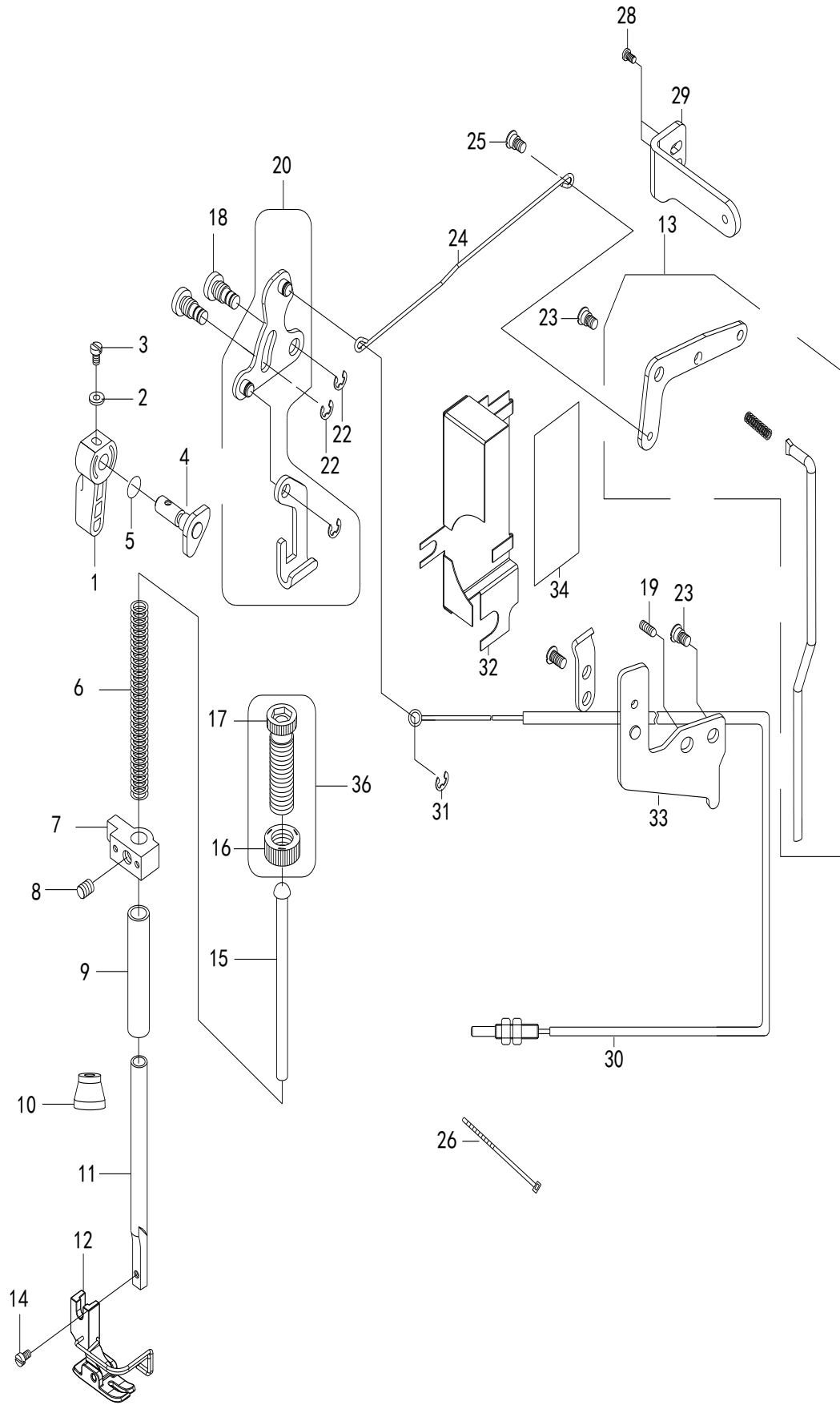


3.针杆竖轴装置/ Needle bar vertical axis device



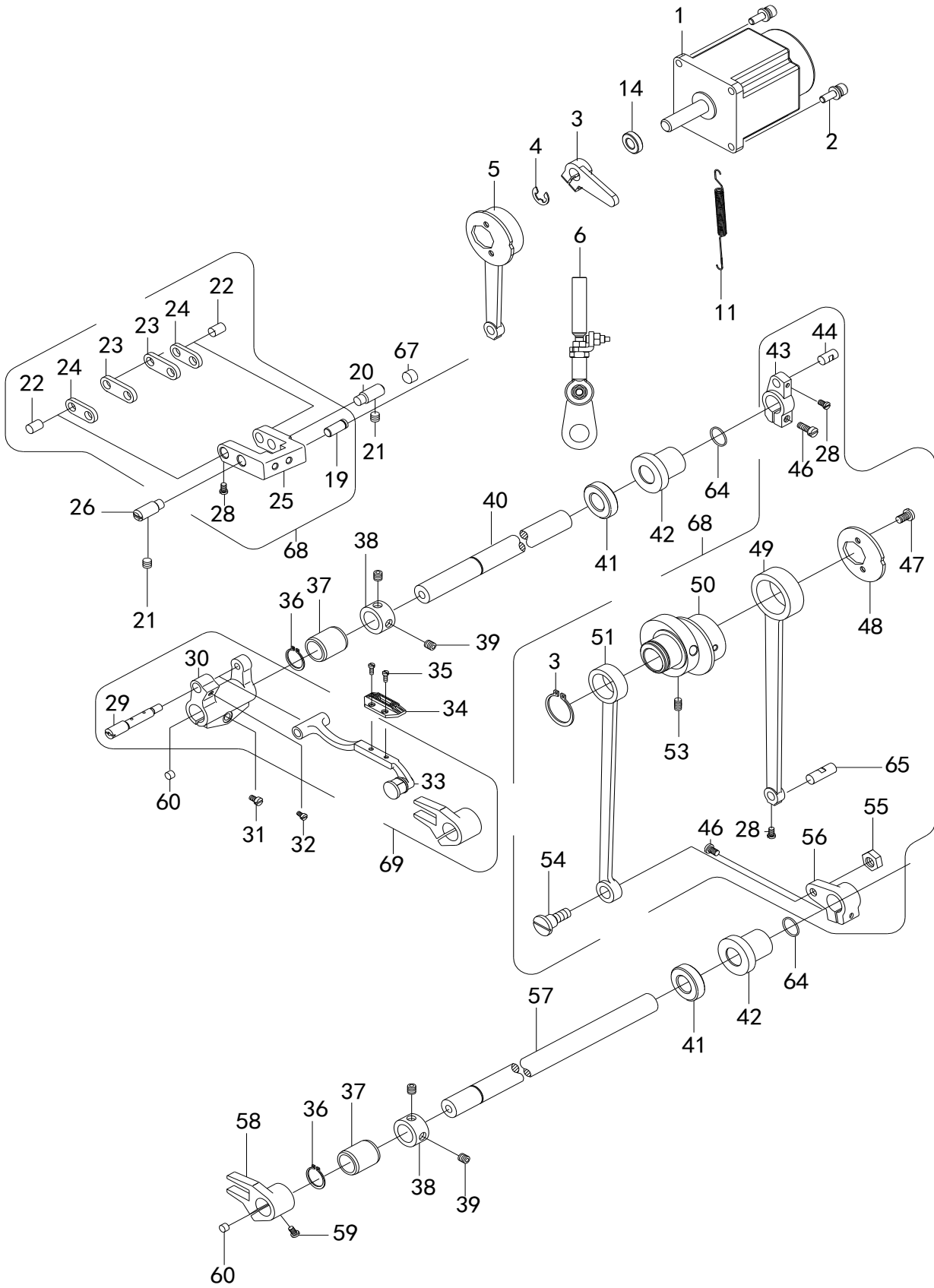


4.压脚装置/Foot press device





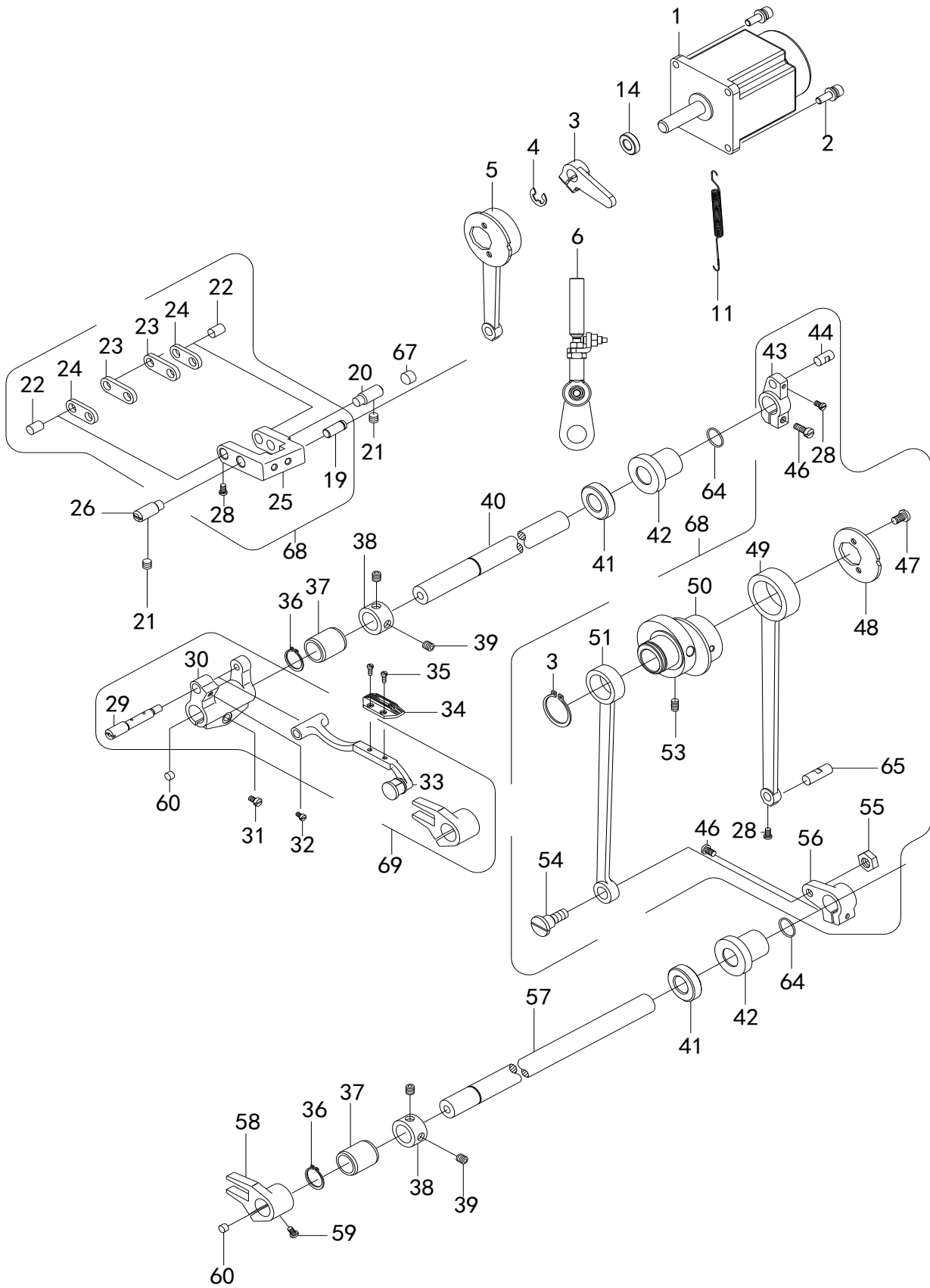
5.送料部件/Feeding components



## 5.送料部件/Feeding components

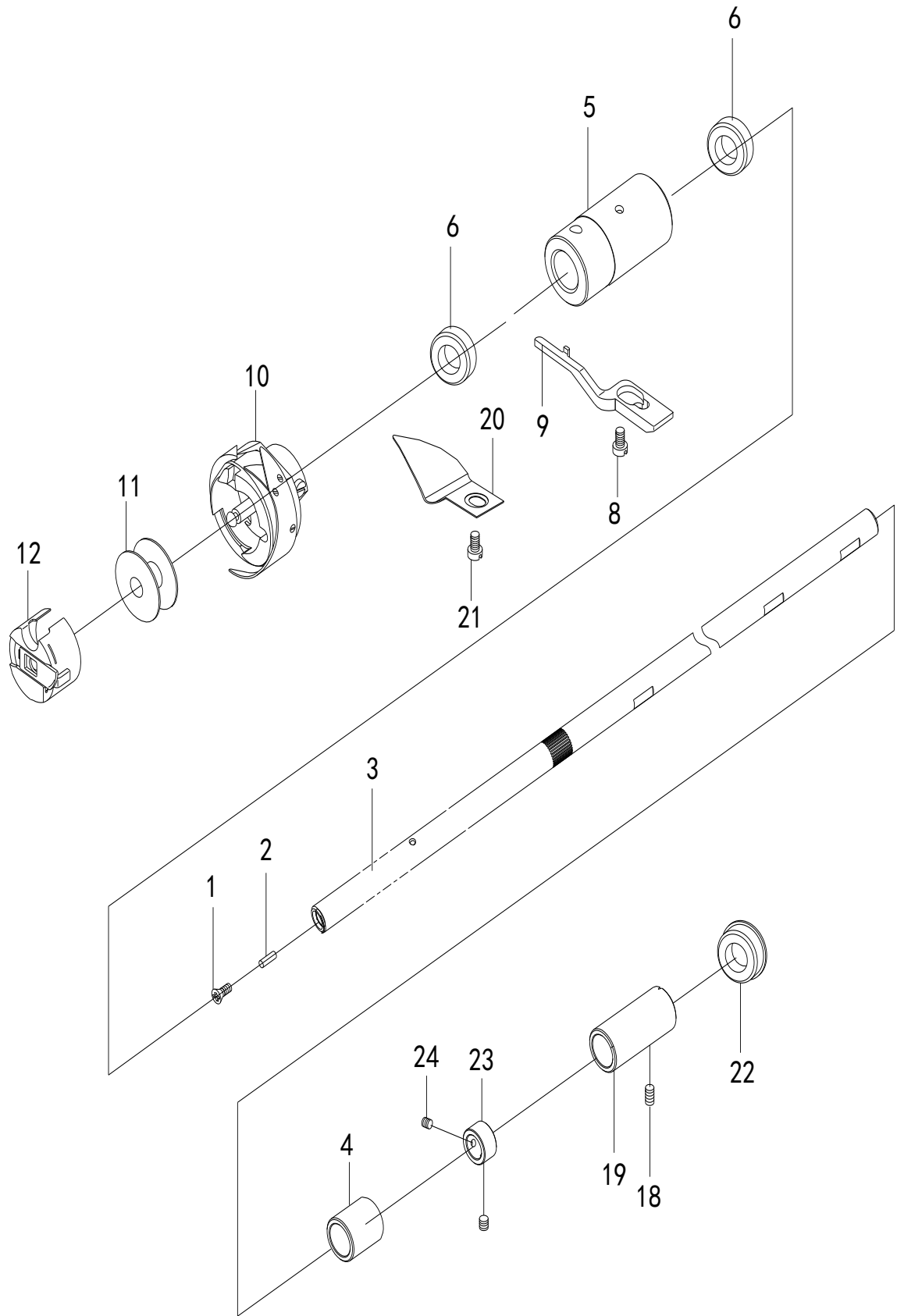
序号	编号	名称	Name of parts	数量	备注
1	51807075	步进电机-H6	Stepper motor-H6	1	
2	51804530	内六角圆柱头组合螺钉M5X16	Internal hexagon cylindrical head combination screw M5X16	4	
3	51807014	抬压脚曲柄组件	Lift and press foot crank assembly	1	
4	51807015	卡簧	Card spring	1	
5	51807110	偏心轮组件	Eccentric Wheel Component	1	
6	51808035	下连杆组件-H7	Lower connecting rod assembly-H7	1	
11	51808034	拉簧-H7	Pulling Spring - H7		
14	51807016	骨架油封	Skeleton oil seal	1	
19	51803220	连杆轴	Connecting rod shaft	1	
20	51803230	摆动座左销	Swing seat left pin	1	
21	02000159	支架钩螺钉SM5.95-28	Bracket hook screw SM5.95-28	2	
22	51802550	曲柄连杆短销	Crank connecting rod short pin	2	
23	51803240	曲柄长连杆	Crank long connecting rod	2	
24	51803250	曲柄短连杆	Crank short connecting rod	2	
25	51803260	摆动座	Swing seat	1	
26	51807152	送料摆动板座右销	Feeding swing plate seat right pin	1	
28	51803280	螺钉 SM3.57	Screw SM3.57	4	
29	51800910	牙架销	Dental rack pin	1	
30	51800920	牙架座	Dental rack seat	1	
31	51802190	螺钉 SM4.76X12	Screw SM4.76X12	1	
32	51801030	螺钉SM4.36X6	Screw SM4.36X6	1	
33	51800900	牙架组件	Dental frame components	1	
34	51800890	送布牙	feed dog	1	
	51803800	送布牙 (厚料)	Sending cloth teeth (thick material)	1	
35	51802180	螺钉 SM3.18X6	Screw SM3.18X6	2	
36	00202150	轴用挡圈C15	Shaft retaining ring C15	2	
37	51800840	轴套	axle sleeve	2	
38	51802580	紧圈	Tight Circle	2	
39	51802040	一字紧定螺钉 SM6.35-40X6	One line tightening screw SM6.35-40X6	4	
40	51808017	送料轴-H7	Feeding shaft-H7	1	
41	51801020	油封	oil seal	2	
42	51800860	抬牙轴中套	Lift tooth axis middle sleeve	2	
43	51802950	送料曲柄	Feeding crank	1	
44	51802960	送料连杆销	Feeding connecting rod pin	1	
46	51802650	螺钉SM5.95	Screw SM5.95	2	
47	51802660	螺钉	screw	1	
48	51802670	偏心轮盖板	Eccentric wheel cover plate	1	
49	51802680	连杆组件H	Connecting rod component H	1	
50	51802690	偏心轮	Eccentric wheel	1	
51	51800800	抬牙连杆	Lift tooth connecting rod	1	
53	51802040	一字螺钉SM6.35	One letter screw SM6.35	2	
54	51800820	轴位螺钉	Axis screw	1	
55	51802170	螺母 SM5.95	Nut SM5.95	1	
56	51800830	抬牙后曲柄	Lift the crankshaft after lifting the teeth	1	
57	51808016	抬牙轴-H7	Tooth lifting shaft - H7	1	
58	51800870	抬牙叉	Lift your teeth fork	1	
59	02000053	一字平头螺钉SM4.37-40 L11.4	Flat head screw SM4.37-40 L11.4	1	
60	51803300	橡皮塞 6.5	Rubber stopper 6.5	1	
64	51803330	O型圈 14		2	

5.送料部件/Feeding components

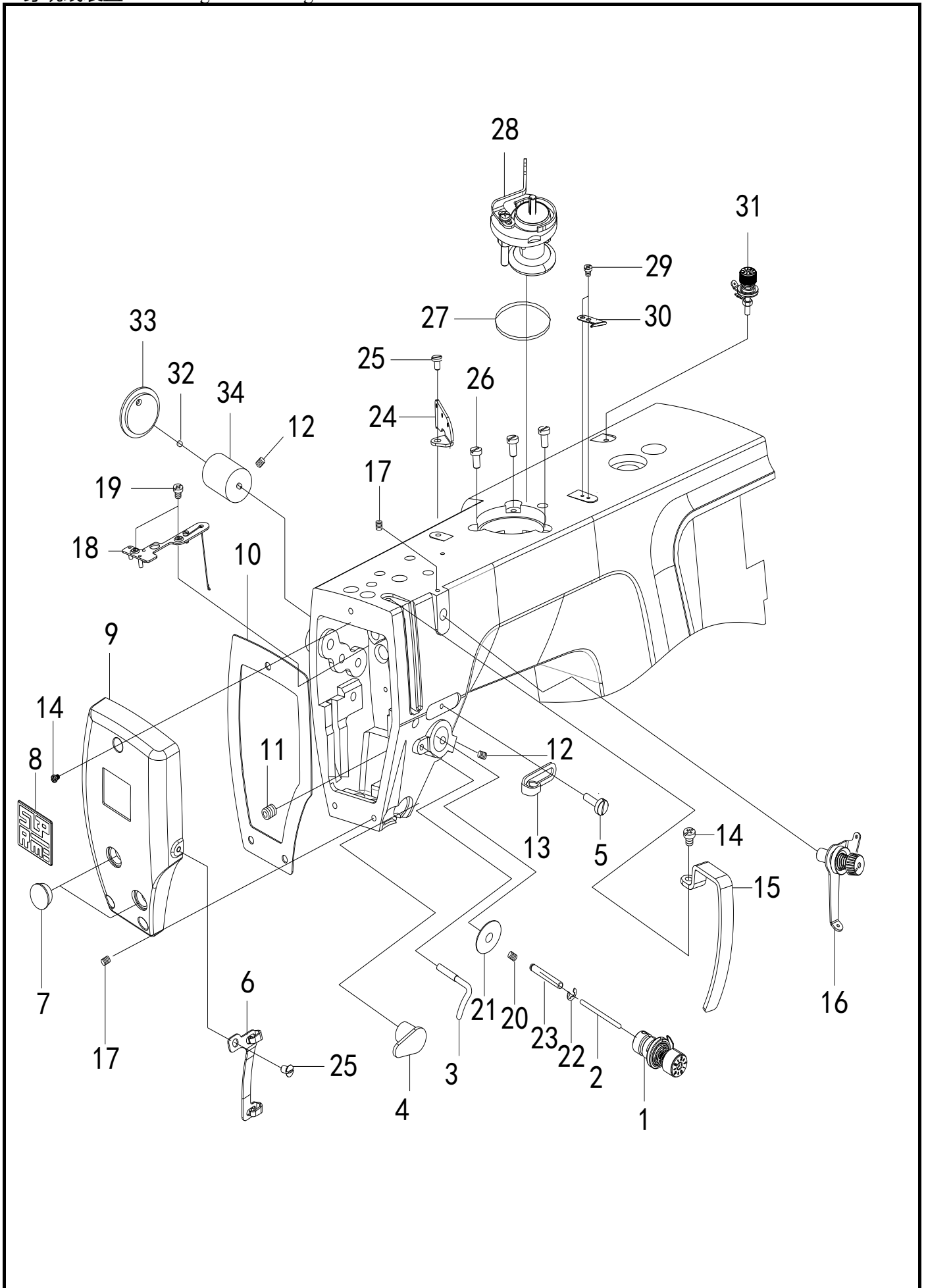




6. 旋梭装置/Rotary shuttle device

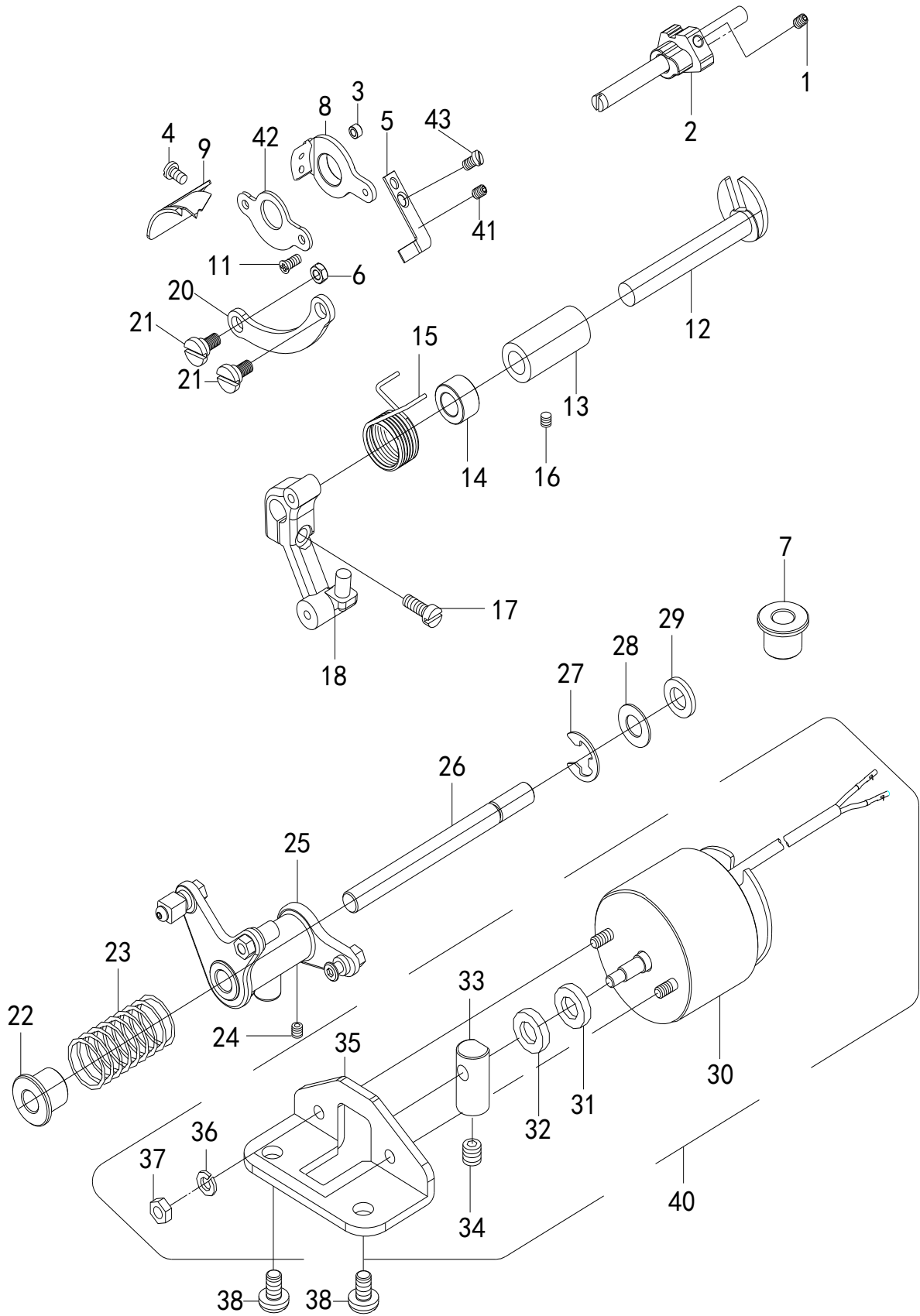






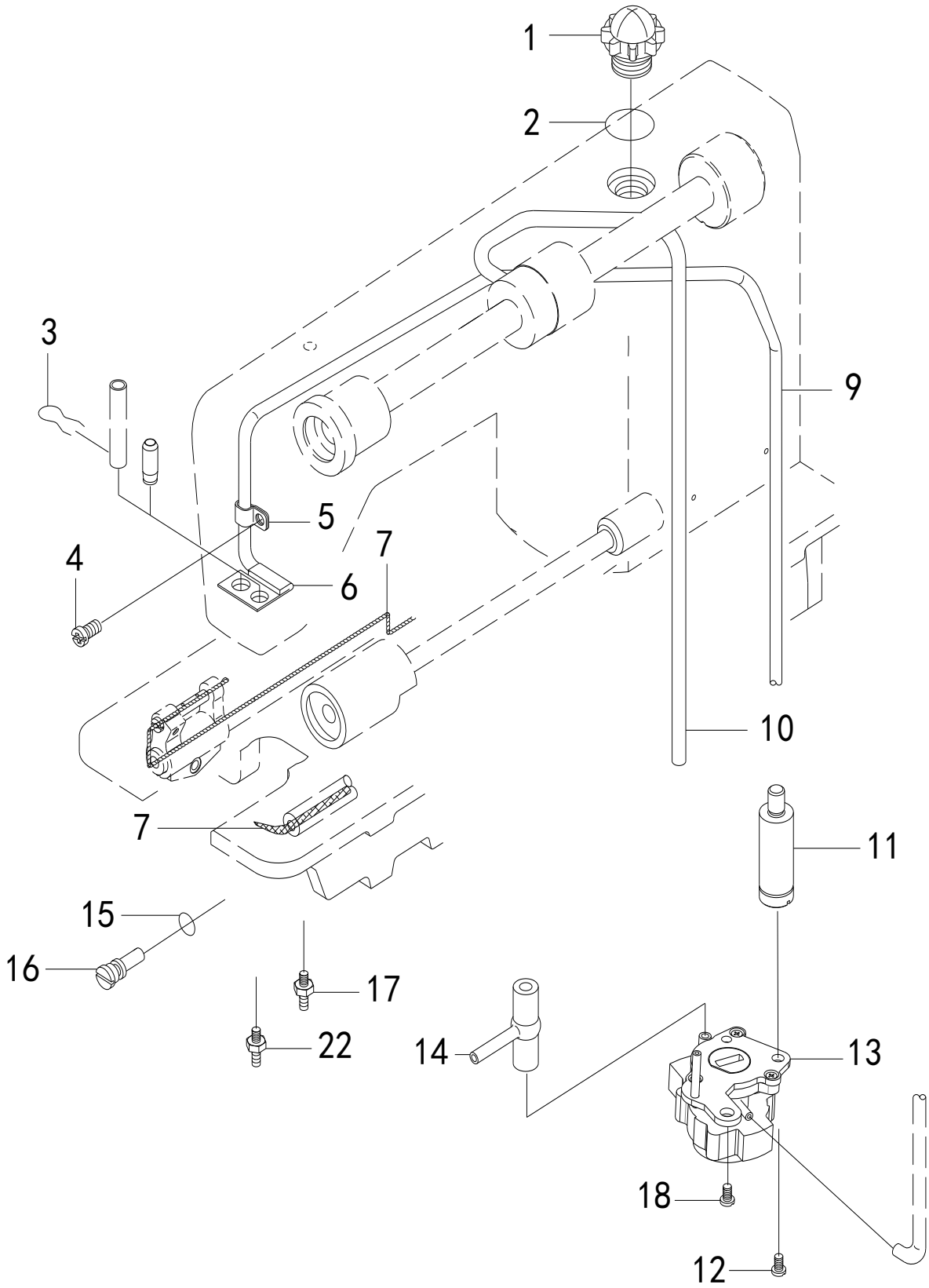


8.自动切剪部分/Automatic cutting section



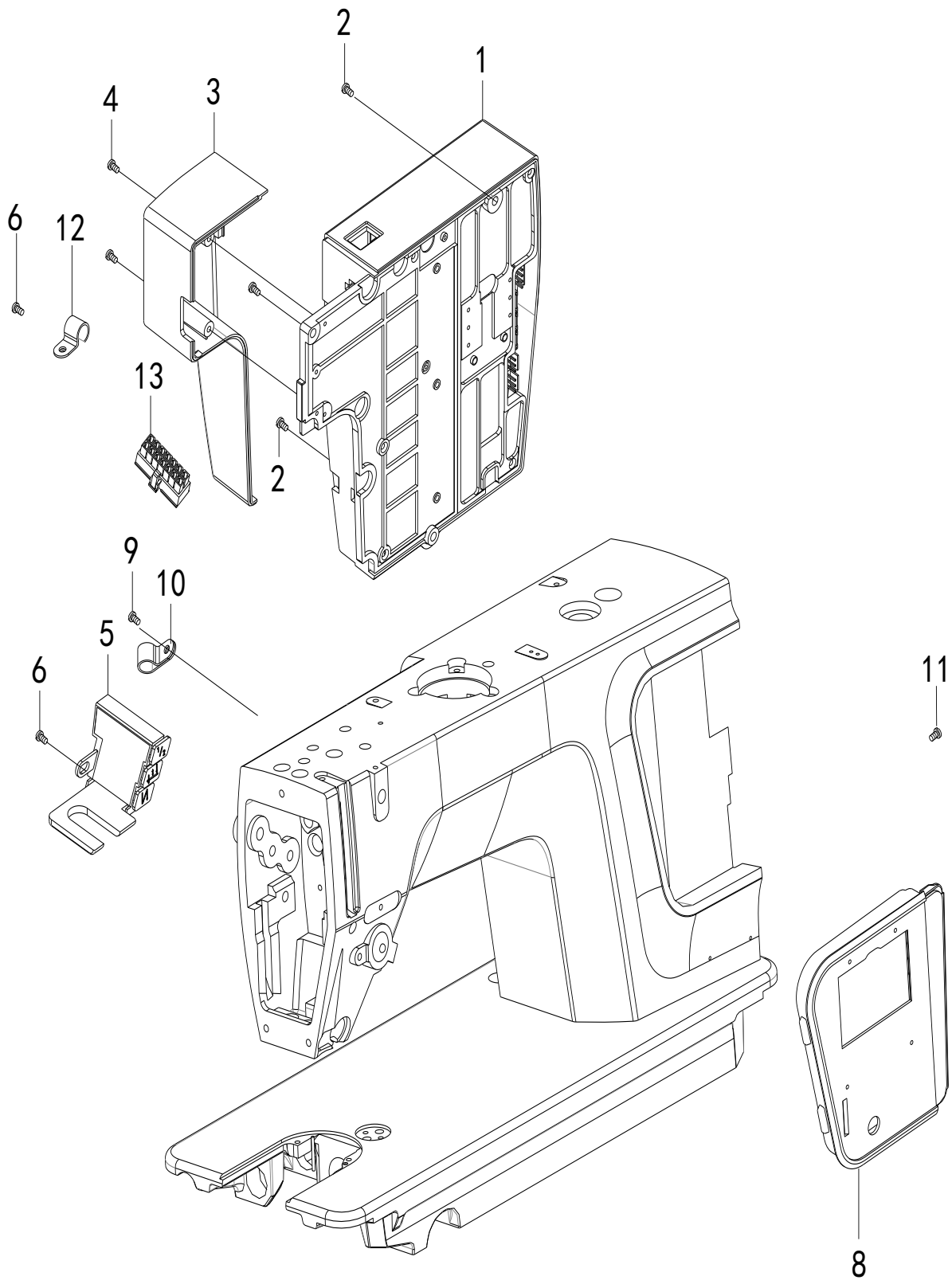
## 8.自动切剪部分/Automatic cutting section

序号	编号	名称	Name of parts	数量	备注
1	51803580	内六角紧定螺钉SM6.35-40X10	Internal hexagon set screw SM6.35-40X10	2	
2	51801350	凸轮	Cam	1	
3	51807200	短套	Short set	2	
4	02000007	内六角沉头螺钉SM4.37-40-L5	Internal hexagon countersunk screw SM4.37-40-L5	2	
5	51804220	定刀片(单刀)	Fixed blade (single blade)	1	
6	02000074	螺母SM4.37	Nut SM4.37	2	
7	51807450	橡皮塞 (单孔)	Rubber stopper (single hole)	1	
8	51804200	刀架 (单刀)	Knife holder (single blade)	1	
9	51804210	动刀片(单刀)	Moving blade (single blade)	1	
11	51807610	螺钉SM11/64"x40-12	Screw SM11/64 "x40-12	2	
12	51801411	切线曲柄轴	Tangent crankshaft	1	
13	51801420	切线曲柄轴套	Tangent crankshaft sleeve	1	
14	51801430	曲柄轴套	Crankshaft sleeve	1	
15	51807700	复位扭簧	Reset torsion spring	1	
16	02000159	支架钩螺钉SM5.95-28	Bracket hook screw SM5.95-28	1	
17	51803700	内六角螺栓SM4.76X14	Internal hexagon bolt SM4.76X14	1	
18	51808027	切线曲柄-H7	Tangent crank - H7	1	
20	51807180	刀座连杆(单刀)	Knife seat connecting rod (single blade)	1	
21	51807670	轴位螺钉SM11/64"x40-6.5	Axis screw SM11/64 "x40-6.5	4	
22	51801510	挡圈套	Block the trap	1	
23	51801520	切线凸轮复位弹簧	Tangent cam reset spring	1	
24	00806401	内六角凹端紧定螺钉SM1/4-40	Internal hexagon concave end tightening screw SM1/4-40	1	
25	51801530	切线凸轮曲柄	Tangent cam crank	1	
26	51807381	切刀驱动轴-H6	Cutting blade drive shaft-H6	1	
27	00201060	开口挡圈E6	Open end retaining ring E6	1	
28	00508030	平垫圈8	Flat washer 8	1	
29	10102460	减震垫圈	Shock absorber gasket	1	
30	51801570	切线电磁铁	Tangent electromagnet	1	
31	51803360	缓冲垫	Buffer pad	1	
32	51803370	垫片	shim	1	
33	51802790	顶柱	Top pillar	1	
34	00805050	紧定螺钉M5X5	Tightening screw M5X5	1	
35	51803380	电磁铁安装支架	Electromagnetic installation bracket	1	
36	51802810	垫片 4	Gasket 4	2	
37	00404031	六角螺母 M4	Hexagonal nut M4	2	
38	51807681	螺钉SM15/64"x28-14	Screw SM15/64 "x28-14	2	
40	51803530	切线电磁铁组件	Tangent electromagnetic component	1	
41	51804260	一字圆端紧定螺钉SM3.57X8.5	One round end tightening screw SM3.57X8.5	1	
42	51808026	刀架压板	Knife holder pressure plate	1	
43	51823110	螺钉SM3.57X5	Screw SM3.57X5	1	



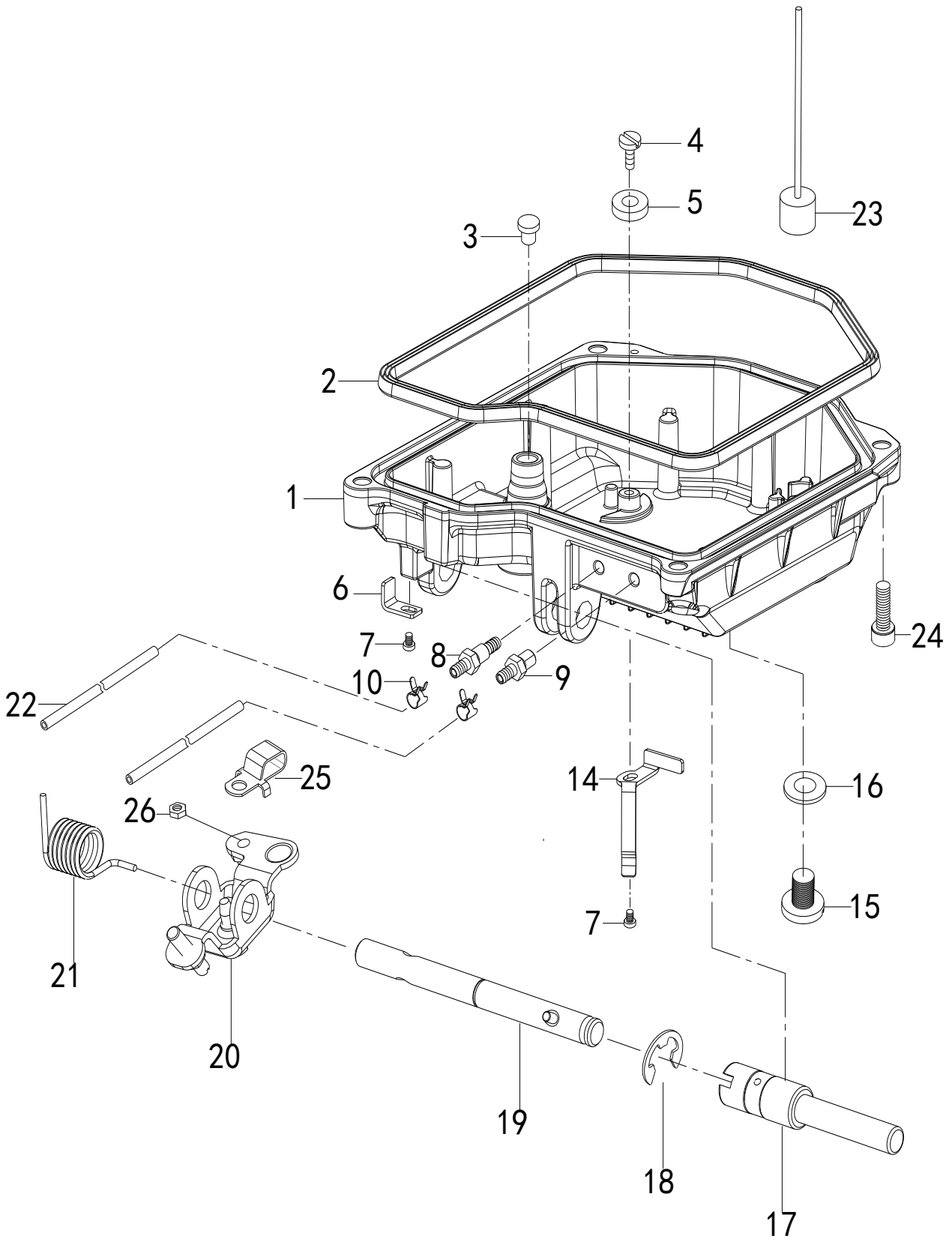


10.电控/ECU

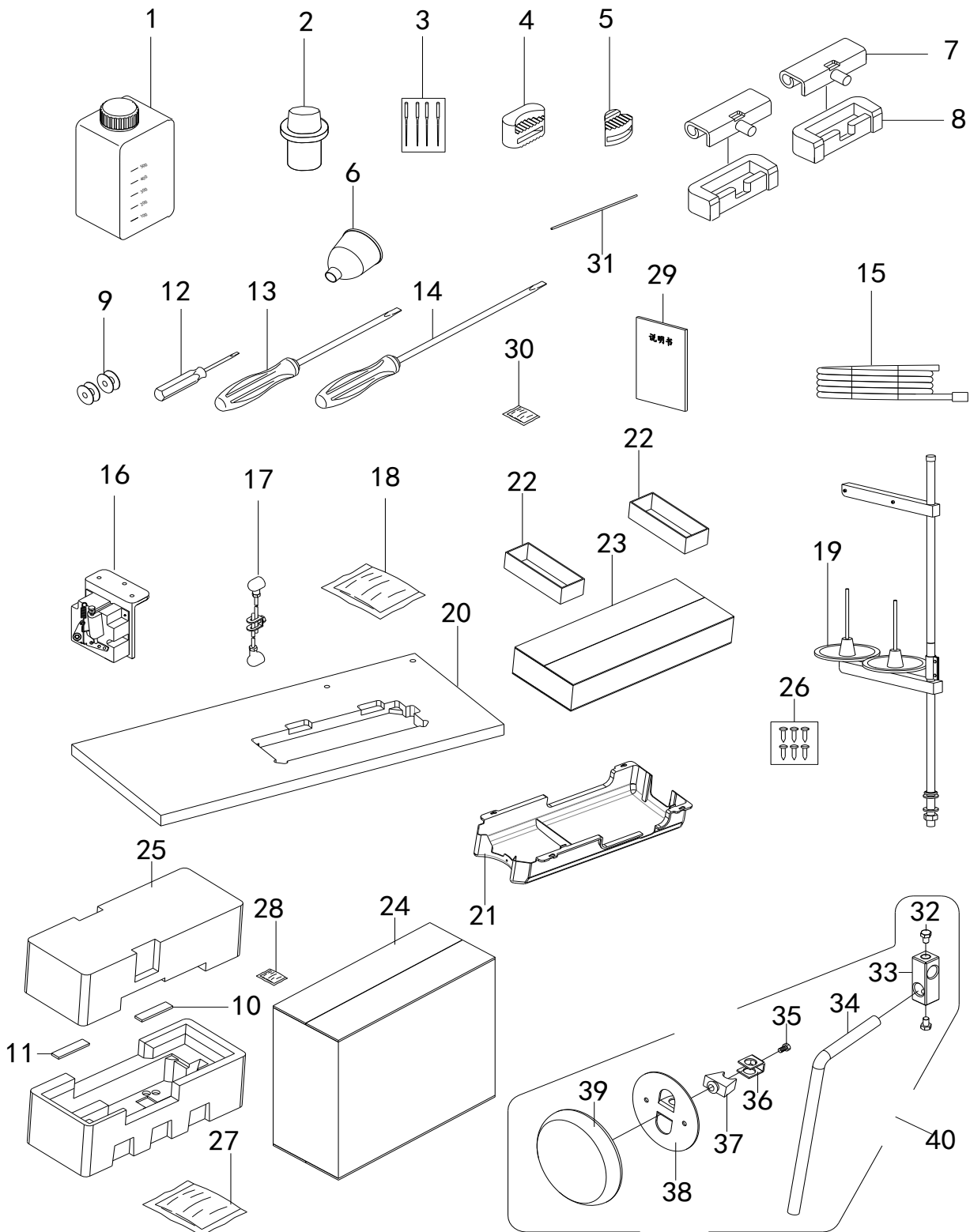




11.油盒/Oil box

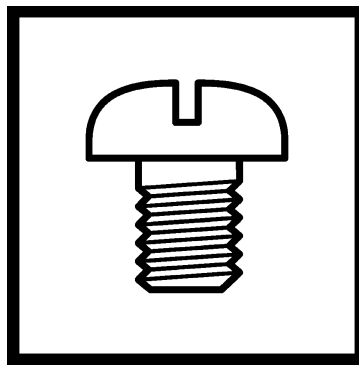






## 12.附件/Attachment

序号	编号	名称	Name of parts	数量	备注
1	52006070	油壶 (大)	Oil pot (large)	1	
		工业白油10#	Industrial White Oil 10 #	1	400ml
2	51808036	机头支柱-H7	Head pillar - H7	1	
3	10529740	机针 DBx1 11#	Needle DBx1 11#	4	
	51822760	机针 DPX5 22#	Needle DPX5 22#	4	
	51804620	机针DBX1 18#	Needle DBX1 18#	4	
4	51802460	防震垫(A)	Shock pad (A)	2	
5	51802470	防震垫(B)	Shock pad (B)	2	
6	52005940	漏斗	funnel	1	
7	51802440	机头连接钩组件	Head connection hook component	2	
8	51802450	机头连接钩座	Head connection hook seat	2	
9	16001440	梭芯(小梭)	Shuttle core (small shuttle)	2	
10	51803970	内衬木板(H5)	Inner lining wooden board (H5)	1	
11	51808032	木板	board	1	
12	52008010	一字螺丝刀 (小)	One letter screwdriver (small)	1	
13	52008000	一字螺丝刀 (中)	One letter screwdriver (middle)	1	
14	52007990	一字螺丝刀 (大)	One letter screwdriver (large)	1	
15	51807114	电源线国标-沪龙	Power cord national standard - Hulong	1	
16	51807077	控速器	Speed controller	1	
17	51804861	控速器拉杆-长款沪龙	Speed Control Rod - Long Hulong	1	
18	10103680	机头罩	Head cover	1	
19	51802940	线架组件2DR(舒普)	Cable rack component 2DR (Shupu)	1	
20	51802610	平车台板组件	Flat bed platform component	1	台板选配
21	51802600	油盘	an oil pan	1	
22	51803940	衬板	Lining board	2	
23	51803430	附件箱	Attachment box	1	
24	51807480	纸箱	carton	1	
25	51808028	泡沫-H7	Foam - H7	1	
26	51802930	铁钉1.5x25	Iron nail 1.5x25	6	
27	10104010	机头塑料袋	Head plastic bag	1	
28	10536280	50克干燥剂	50g desiccant	1	
29	51807111	电控说明书	Electronic Control Manual	1	
30	51807079	螺钉附件包	Screw accessory package	1	
31	51806330	金属绑带	Metal straps	1	
32	51802800-1	外六角螺栓M8X12	Outer hexagon bolt M8X12	2	
33	51801940	抬压脚操纵杆接头	Lift and press foot control lever connector	1	
34	51801930	操纵杆	Joystick	1	
35	01306120	外六角螺栓M6X12	Outer hexagon bolt M6X12	1	
36	51801950	操纵杆接头	Joystick connector	1	
37	51802630	操纵板加强块	Control panel reinforcement block	1	
38	51801960	操纵板	Control panel	1	
39	51801980	操纵杆软垫	Control lever cushion	1	
40	51802800	膝控组件	Knee control component	1	



零件手册  
PARTS BOOK