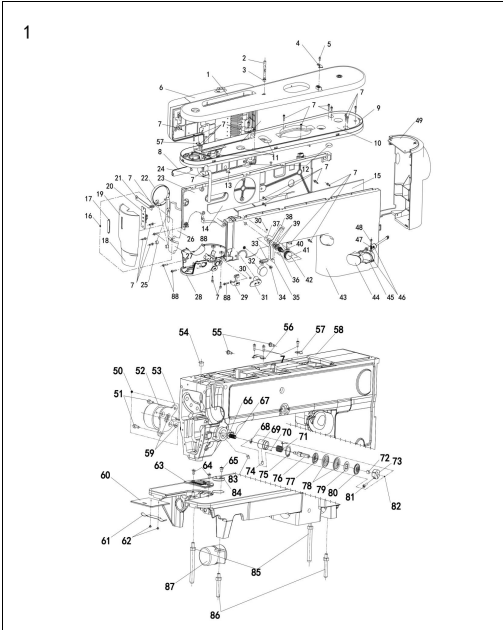


Ai 10系列 Ai 10 Series

零件手册 Parts Manual

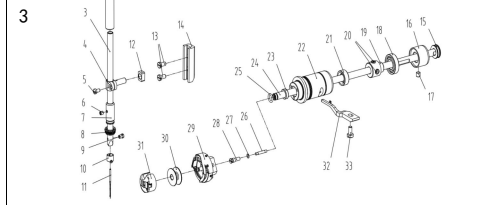


1. 机壳/外装部件/Machine Frame & Miscellaneous Cover Components

序号 NO.	公司件号 Part NO.	名称 PartName	零件描述 Description	数量 Number
1	116011026	顶盖罩壳	Top cover shell	1
2	116013007	上盖固定杆	Line crossing column	1
3	807004	六角螺母M4	Hexagonal nut M4	1
4	11419001	轴衬	Roller	1
5	1160N518002	十字槽螺钉M3x1.6	Screw M3 L1.6	1
6	1160330100	一体式脚踏开关(19.2x8M)	All-in-one machine controller(19.2x8M)	1
7	050502	内六角圆头螺钉M3x1.6	Screw M3 L1.6	34
8	116011012	后盖安装支架	Rear top board cover	1
9	116011027	上盖壳	Upper cover shell	1
10	116023003	橡胶垫圈	Rubber pad 6.5x12.3	1
11	116022017	橡胶垫圈 6.5x12.3	Rubber pad 6.5x12.3	2
12	116023001	橡胶垫圈 6.5x12.3	Rubber pad 6.5x12.3	2
13	050601	内六角圆头螺钉M3x1.8	Screw M3 L1.8	1
14	116023002	橡胶垫圈	Rubber pad 6.5x12.3	1
15	116023001	橡胶垫圈	Rubber pad 6.5x12.3	1
16	116010910	脚踏开关按钮	Foot switch button	1
17	116010918	脚踏开关按钮	Foot switch button	1
18	116010918	脚踏开关按钮	Foot switch button	1
19	116011017	上盖	Top panel	1
20	116030000	LED灯罩	LED lamp assembly	1
21	116011015	连接板	Connection bar	1
22	116011018	电气绝缘片	Electrical wire tension rear cover	1
23	116011011	后盖壳	Rear cover shell	1
24	116012016	脚踏开关按钮	Thread take-up lever protective cover	1
25	116017020	脚踏开关按钮	Magnet, plug	4
26	116030000	上盖安装支架	The upper panel's sound insulation collar	1
27	116023005	下盖安装支架	The Lower panel's sound insulation collar	1
28	116030000	脚踏开关按钮	Reverse switch switch assembly component	1
29	116011004	后盖壳	Left-side overhang hook	1
30	0509103	六角圆头螺钉M3x1.6	Screw M3 L1.6	1
31	116030000	脚踏开关按钮	Electronic wire clamp	1
32	1160119000	脚踏开关按钮	Electronic wire tension front cover	1
33	115013017	脚踏开关按钮	Right-side overhang hook	1
34	1160N511001	脚踏开关按钮	Clamp wire assembly (small)	1
35	116013003	脚踏开关按钮	Small clamp spring	1
36	116023003	脚踏开关按钮	Wire clamp holder	1
37	116013012	脚踏开关按钮	Small clip wire guide plate	1
38	116013016	脚踏开关按钮	Small clip wire piece	2
39	116013000-01	脚踏开关按钮	Stud	1
40	116013000-02	脚踏开关按钮	Nut	1
41	116013000-03	脚踏开关按钮	Clamp wire screw offset	1
42	116013000-04	脚踏开关按钮	Front cover shell	1
43	116023000	脚踏开关按钮	Camera component	1
44	116023006	脚踏开关按钮	Front camera mounting bracket	1
45	0516002	脚踏开关按钮	Screw 313 L=8	1
46	116023001	脚踏开关按钮	Camera lensing spring	1
47	116023002	脚踏开关按钮	Clamp wire assembly (small)	1
48	1160N518001	脚踏开关按钮	Screw M3 L1.4	1
49	116011025	脚踏开关按钮	Spindle motor cover shell	1
50	116023001	脚踏开关按钮	Spindle wire component 2210	1
51	0504N51001	脚踏开关按钮	Screw M3 L=10	2
52	116030001	脚踏开关按钮	Pipeline insulation 2210	1
53	116011004	脚踏开关按钮	脚踏开关按钮	1
54	116023013	脚踏开关按钮	橡胶垫圈	1
55	116023017	脚踏开关按钮	橡胶垫圈	2
56	116011015	脚踏开关按钮	脚踏开关按钮	1
57	116013012	脚踏开关按钮	脚踏开关按钮	1
58	930002128	脚踏开关按钮	Host casing	1
59	0526031	脚踏开关按钮	内六角圆头螺钉M4x6	2

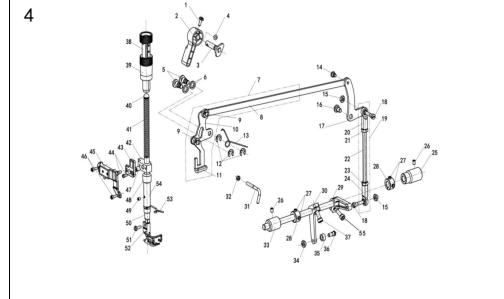
2. 上轴、挑线部件/Main Shaft & Thread Take-up Components

序号 NO.	公司件号 Part NO.	名称 PartName	零件描述 Description	数量 Number
1	11413800400	挑线组件	Thread take-up component	1
2	101515001	开槽六角圆头螺钉SM15/64*28x15	Screw SM15/64*28 L=15	1
3	051012	开槽六角圆头螺钉SM6x32*28x16	Screw SM6/32*28 L=16	1
4	101515004	开槽六角圆头螺钉SM9/64*28x16	Screw SM9/64*28 L=16	1
5	101511003	开槽六角圆头螺钉SM9/32*28x16	Screw SM9/32*28 L=16	1
6	14190404	轴衬	Roller	1
7	0100007	轴承6004-2R2N4(进口)	Bearing 6004-2R2NR	1
8	116030001	前上轴轴套	Main shaft bushing front	1
9	14190404	轴衬	Roller	1
10	8040031	轴承1604-2R2(进口)	Bearing 1604-2R2	1
11	11435013	脚踏开关按钮	脚踏开关按钮	1
12	0510009	脚踏开关按钮	脚踏开关按钮	1
13	116022004	脚踏开关按钮	脚踏开关按钮	1
14	116030003	脚踏开关按钮	脚踏开关按钮	1
15	116023001	脚踏开关按钮	脚踏开关按钮	1
16	0510005	脚踏开关按钮	脚踏开关按钮	1
17	115008011	脚踏开关按钮	脚踏开关按钮	1
18	116020010	脚踏开关按钮	脚踏开关按钮	1
19	116030000	脚踏开关按钮	脚踏开关按钮	1
20	116030000	脚踏开关按钮	脚踏开关按钮	1
21	05151016	脚踏开关按钮	脚踏开关按钮	1
22	05151010	脚踏开关按钮	脚踏开关按钮	1
23	05151013	脚踏开关按钮	脚踏开关按钮	1
24	116030024	脚踏开关按钮	脚踏开关按钮	1
25	0509113	脚踏开关按钮	脚踏开关按钮	1
26	116030024	脚踏开关按钮	脚踏开关按钮	1
27	116030024	脚踏开关按钮	脚踏开关按钮	1
28	116030024	脚踏开关按钮	脚踏开关按钮	1
29	0509113	脚踏开关按钮	脚踏开关按钮	1
30	0509113	脚踏开关按钮	脚踏开关按钮	1
31	116011015	脚踏开关按钮	脚踏开关按钮	1
32	0510005	脚踏开关按钮	脚踏开关按钮	1
33	116030001	脚踏开关按钮	脚踏开关按钮	1
34	931800002	脚踏开关按钮	脚踏开关按钮	1



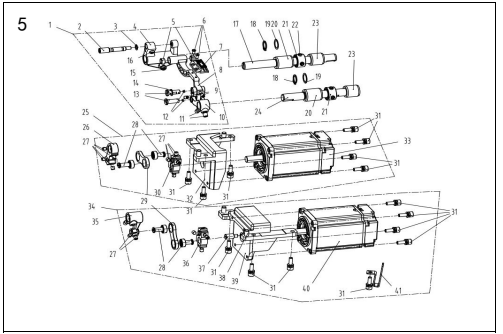
3. 针杆、竖钩、下轴部件/Needle bar & Upright Shaft & Hook Driving Shaft Components

序号 NO.	公司件号 Part NO.	名称 PartName	零件描述 Description	数量 Number
1	10122013	孔圈(8.5针杆上衬套)	Rubber plug bushing	1
2	14103009	上针杆轴套	Needle bar bushing upper	1
3	14103004	针杆轴套	Needle bar bushing	1
4	14104007	针杆连接杆(DCL处理)	Needle bar connecting rod	1
5	101511005	开槽六角圆头螺钉SM9/64*40x6	Screw SM9/64*40 L=6	1
6	0509103	六角圆头螺钉	Screw M3x4 L=4	1
7	116003005	下针杆轴套	Needle bar bushing lower	1
8	116020002	针杆轴套	Needle rod oil seal	1
9	104513006	开槽六角圆头螺钉SM11/64*44x6	Screw SM11/64*44 L=6	1
10	10413001	针杆轴套	Lower bushing thread	1
11	11217001	圆螺母D8x1.1#	Needle	1
12	116020002	针杆轴套	Sleeve	1
13	101511008	开槽六角圆头螺钉SM11/64*40x8	Screw SM11/64*40 L=8	2
14	115008010	左上轴轴套	Needle bar guide	1
15	0424604	开槽六角圆头螺钉SM11/64*40x8	Needle bar bearing	1
16	116003008	下轴轴套	Lower shaft rear bushing	1
17	1150007	六角圆头螺钉SM11/64*40x8	Screw M4 L=4	1
18	8006012	开槽六角圆头螺钉SM11/64*40x8	Deep groove ball bearing	1
19	141703035	下轴轴套	Lower shaft rear bearing sleeve	1
20	0510122	下轴轴套	Screw M6x0.75 L=6	2
21	116003006	下轴轴套	Hook driving shaft bushing	1
22	116003015	下轴轴套	Hook driving shaft bushing front	1
23	115002018	轴衬	Oil seal	1
24	116003006	下轴轴套	Hook driving shaft bushing	1
25	116022009	轴衬	Rubber ring 7.1x1.8	1
26	116036003	轴衬	Oil wick	1
27	116022002	轴衬	Rubber ring 3.6x0.8	1
28	1160N511003	轴衬	Set screw	1
29	116018006	轴衬	Oil free needle protection rotary shaft (Imported)	1
30	116018003	轴衬	Bobbin	1
31	11219504	轴衬	Bobbin case atom	1
32	11012016	轴衬	Finger positioner	1
33	10151011	开槽六角圆头螺钉SM11/64*40x9.5	Screw SM11/64*40 L=9.5	1



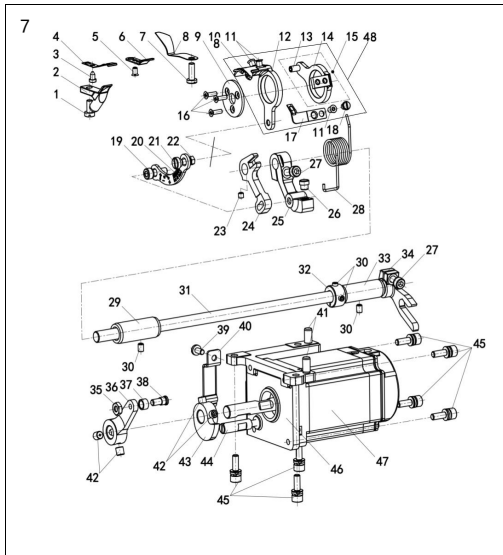
4. 压杆、自动抬压脚部件/Presser Bar & Auto Lifter Components

序号 NO.	公司件号 Part NO.	名称 PartName	零件描述 Description	数量 Number
1	1150N510003	十字槽六角圆头螺钉SM5/64*40x11	Screw SM5/64*40 L=11	1
2	116011200	手推杆	Hand lifter	1
3	1381000200	脚踏开关按钮	Hand lifter cam asm.	1
4	1011004	脚踏开关按钮	Rubber ring 4x1.8	1
5	010520001	脚踏开关按钮	Threaded pin SM5/16*24 L=15.7	2
6	10128015	脚踏开关按钮	Washer	2
7	116012050	脚踏开关按钮	Knive lifter lever	1
8	116012004	脚踏开关按钮	Knive lifter pull rod	1
9	405003	脚踏开关按钮	Snag ring	2
10	1160310200	脚踏开关按钮	Knive lifter component	1
11	116015003	脚踏开关按钮	Lifting plate	1
12	11239000	脚踏开关按钮	Snag ring	1
13	116023009	脚踏开关按钮	Loose wire slip plate metal spring	1
14	144520003	脚踏开关按钮	内六角圆头螺钉SM3/16*33x2.6	4
15	144510004	脚踏开关按钮	六角圆头螺钉SM11/64*40	4
16	101500003	脚踏开关按钮	六角圆头螺钉SM15/64*28x7	2
17	116012005	脚踏开关按钮	Knive lifter back lever	1
18	1150N520003	脚踏开关按钮	Connecting rod hinge screw	1
19	116013006	脚踏开关按钮	Connecting rod	1
20	116005007	脚踏开关按钮	Right ball joint	1
21	1160N516002	脚踏开关按钮	Nut M6	1
22	116013006	脚踏开关按钮	Motor cover plate	1
23	1160N516001	脚踏开关按钮	Motor cover	1
24	116005006	脚踏开关按钮	Left ball joint	1
25	116005007	脚踏开关按钮	Motor driving gear	1
26	113514020	脚踏开关按钮	脚踏开关按钮	1
27	101511012	脚踏开关按钮	脚踏开关按钮	1
28	0509113	脚踏开关按钮	脚踏开关按钮	1
29	0509113	脚踏开关按钮	脚踏开关按钮	1
30	116030011	脚踏开关按钮	脚踏开关按钮	1
31	116004012	脚踏开关按钮	脚踏开关按钮	1
32	116013006	脚踏开关按钮	脚踏开关按钮	1
33	116030011	脚踏开关按钮	脚踏开关按钮	1
34	136517005	脚踏开关按钮	脚踏开关按钮	1
35	116020002	脚踏开关按钮	脚踏开关按钮	1
36	136520003	脚踏开关按钮	脚踏开关按钮	1
37	0509004	脚踏开关按钮	脚踏开关按钮	1
38	116020011	脚踏开关按钮	脚踏开关按钮	1
39	116011001	脚踏开关按钮	脚踏开关按钮	1
40	11605008	脚踏开关按钮	脚踏开关按钮	1
41	113827010	脚踏开关按钮	脚踏开关按钮	1
42	115009004	脚踏开关按钮	脚踏开关按钮	1
43	116040000	脚踏开关按钮	脚踏开关按钮	1
44	114511015	脚踏开关按钮	脚踏开关按钮	1
45	116030040	脚踏开关按钮	脚踏开关按钮	1
46	42151000	脚踏开关按钮	脚踏开关按钮	2
47	101510007	脚踏开关按钮	脚踏开关按钮	1
48	10112112	脚踏开关按钮	脚踏开关按钮	1
49	0509103	脚踏开关按钮	脚踏开关按钮	1
50	116020009	脚踏开关按钮	脚踏开关按钮	1
51	101511009	脚踏开关按钮	脚踏开关按钮	1
52	115014000	脚踏开关按钮	脚踏开关按钮	1
53	116013004	脚踏开关按钮	脚踏开关按钮	1
54	116003006	脚踏开关按钮	脚踏开关按钮	1
55	1150N53005	脚踏开关按钮	脚踏开关按钮	1



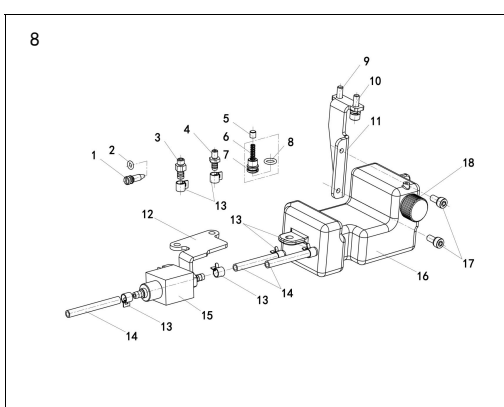
5. 送料部件/Feed Mechanism Components

序号 NO.	公司件号 Part NO.	名称 PartName	零件描述 Description	数量 Number
1	11600700300	脚踏开关按钮	Rack seat asm.	1
2	116020002	脚踏开关按钮	Feed bar end	1
3	116020001	脚踏开关按钮	Washer 4.8-q8.8+0.5	1
4	116070002	脚踏开关按钮	Feed bar end	1
5	116020002	脚踏开关按钮	Feeding motor motor	2
6	101511008	脚踏开关按钮	Screw SM11/64*40 L=6	1
7	116014004	脚踏开关按钮	Feed dog	1
8	116020002	脚踏开关按钮	Feed ring	2
9	113514020	脚踏开关按钮	Screw SM11/64*40 L=6	1
10	11605003	脚踏开关按钮	Feeding connecting rod for both lifting	4
11	0510122	脚踏开关按钮	Screw M6x0.75 L=6	1
12	13111002	脚踏开关按钮	Pin	2
13	116026001	脚踏开关按钮	Front crank pin for both lifting	



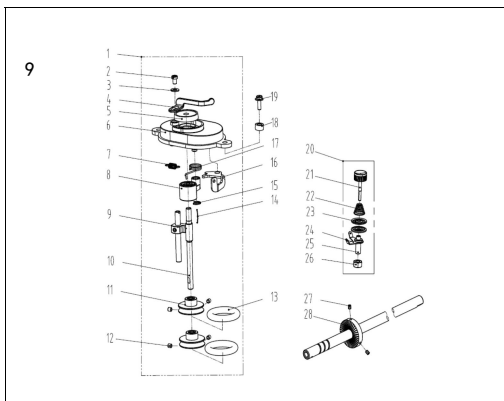
7. 切线部件/Thread Trimmer Components

序号NO	公司件号	Part NO	名称	PartName	零件描述	Description	数量	Number
1	101511011		开槽圆柱头螺钉SM11/64*40 L=9.5	Screw SM11/64*40 L=9.5			1	
2	116209001		吸风口	Air suction outlet			1	
3	101511011		开槽圆柱头螺钉SM11/64*40 L=9.5	Screw SM11/64*40 L=9.5			1	
4	116012024		压线刀	press			1	
5	113517001		开槽圆柱头螺钉SM9/64*40 L=6	Screw SM9/64*40 L=6			1	
6	116019011		压刀	Secant knife			1	
7	115511005		开槽圆柱头螺钉SM11/64*40 L=13	Screw SM11/64*40 L=13			1	
8	116013013		分线片	Branching piece			1	
9	14112005		刀架底座	Knife bracket press component			1	
10	116015001		压线刀	knife			1	
11	113517002		内六角圆柱头螺钉SM11/64*40 L=5.3	Screw SM11/64*40 L=5.3			3	
12	116012002		压线刀片架	Knife bracket			1	
13	14126005		压线轴衬套	Shaft			1	
14	116019003		压线轴刀架	Knife bracket			1	
15	11601900300		压线轴刀架组件	Knife bracket asm			1	
16	114517001		螺钉M4 L=5	Screw M4 L=5			3	
17	116019002		压线轴刀架	Knife			1	
18	131501002		螺钉SM11/64*40 L=4	Screw SM11/64*40 L=4			1	
19	305004		螺钉M4 L=14	Screw M4 L=14			1	
20	114112013		连杆	Connecting rod			1	
21	113520001		连杆螺钉SM11/64*40	Hinge Screw SM11/64*40			1	
22	114516004		螺母SM11/64*40	Nut SM11/64*40			1	
23	509103		内六角平圆头螺钉M4 L=4	Screw M4 L=4			1	
24	14104003		压线轴衬套	Crank			1	
25	14104001		压线轴	Crank			1	
26	115022003		驱动轴制动块	Crank driver stopper block			1	
27	305004		内六角圆柱头螺钉M4 L=14	Screw M4 L=14			2	
28	115021013		弹簧	Spring			1	
29	115303003		压线轴衬套	bushing			1	
30	113514020		内六角平圆头螺钉SM11/64*40 L=6	Screw SM11/64*40 L=6			4	
31	116002008		压线轴衬套	Shaft			1	
32	115308002		压线轴衬套	Retaining ring			1	
33	115303002		压线轴衬套	bushing			1	
34	116004013		压线轴衬套	Crank			1	
35	136517005		压线轴螺母	Nut			1	
36	116004014		压线轴衬套	Crank			1	
37	13650903		压线轴衬套	Roller			1	
38	136520003		压线轴头内六角轴衬套SM3/16*28-Φ6	Screw SM3/16*28-Φ6			1	
39	113511004		十字槽圆柱头螺钉M4 L=8	Screw M4 L=8			1	
40	116012011		压线轴衬套	Shaft			1	
41	116026006		压线轴衬套	Shaft			2	
42	S10123		内六角平圆头螺钉M6*0.75 L=6	Screw M6*0.75 L=6			4	
43	115410002		压线轴衬套	Shaft			1	
44	116026004		压线轴衬套	Shaft			1	
45	1160N513001		内六角圆柱头组合螺钉M5 L=16	Screw M5 L=16			7	
46	116001009		压线轴衬套	motor brake			1	
47	116031010		压线轴衬套	Spring mode			1	
48	11601900600		压线轴衬套	knife rack assembly			1	



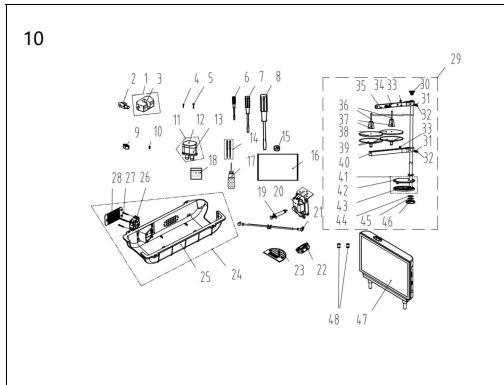
8. 润滑、油量检测部件/Oil Lubrication & Oil Measuring Components

序号NO	公司件号	Part NO	名称	PartName	零件描述	Description	数量	Number
1	140530001		油量调节螺钉M5*0.5	Oil volume adjusting screw M5*0.5			1	
2	14022011		O型圈	O-ring			1	
3	14036002		油圈	Oil seal			1	
4	14036003		油圈	Oil seal			1	
5	13502008		柱塞	Plunger			1	
6	13527006		柱塞弹簧	Plunger spring			1	
7	1160N515001		柱塞螺钉	screw			1	
8	116022009		O型圈1x1.8	O ring			1	
9	1160N513001		内六角圆柱头组合螺钉M5 L=16	Screw M5 L=16			1	
10	1160N513001		内六角圆柱头组合螺钉M5 L=16	Screw M5 L=16			1	
11	116012013		油圈	Oil seal component			1	
12	115001049		螺栓带油圈和油圈支架	bolt			1	
13	20429001		油圈卡圈	Oil pipe clamp spring			6	
14	14021001		油圈	Oil ring			3	
15	115020201		螺栓带油圈和油圈支架	bolthead nut			1	
16	116044001		油圈	Oil seal component			1	
17	305951		内六角圆柱头螺钉M5*10	Screw M5 L=10			2	
18	116044002		油圈	Oil seal			1	



9. 绕线部件/Bobbin Components

序号NO	公司件号	Part NO	名称	PartName	零件描述	Description	数量	Number
1	11603100100		绕线轴组件	Bobbin winder asm			1	
2	1160N519002		螺钉M4 L=6	Screw M4 L=6			1	
3	116028008		垫圈4.2x10x1	Washer 4.2x10x1			1	
4	116031002		绕线轴衬套	Thread press control plate			1	
5	10111120		绕线轴衬套	Winding pad			1	
6	16031002		绕线轴衬套	Bobbin winder bed			1	
7	1017061		绕线轴衬套	Spring			1	
8	1380510600		绕线轴衬套	Bobbin winder connecting rod			1	
9	138101010		绕线轴衬套	Bobbin winder cam asm			1	
10	116020203		绕线轴衬套	Bobbin winder main shaft			1	
11	13831102		绕线轴	Bobbin winder wheel			1	
12	509103		内六角螺钉M4 L=4	Screw M4 L=4			4	
13	509110		O型圈	Ring			1	
14	10127060		弹簧	Spring			1	
15	H05006		开口圈5	Snap ring 5			1	
16	13812110		绕线轴衬套	Requoting plate			1	
17	13827103		绕线轴衬套	Spring			1	
18	11609905		绕线轴衬套	Bobbin winder bushing			2	
19	202511031		绕线轴衬套	Bobbin winder M5 L=24			2	
20	11603102300		绕线轴衬套	Bobbin thread tension asm			1	
21	1160N530004		绕线轴衬套	Screw			1	
22	116027003		绕线轴衬套	Spring			1	
23	116013034		绕线轴衬套	Thread tension disk			2	
24	116013006		绕线轴衬套	Thread tension guide plate			1	
25	116013011		绕线轴衬套	Thread tension bed			1	
26	N01117		绕线轴衬套	Nut M8			1	
27	S10009		螺钉M6 L=8	Screw M6 L=8			2	
28	11413013		绕线轴衬套	Joining wheel			1	



10. 机头附件/Machine Head Accessories

序号NO	公司件号	Part NO	名称	PartName	零件描述	Description	数量	Number
1	1160010080		机头连接轴衬套	Hinge component			2	
2	116026005		连接轴衬套	Connect hook seat direct sales			2	
3	116032002		后按钮安装架	Rear button mounting bracket			2	
4	101530010		机头连接轴衬套P19	Nut P19			2	
5	1141NS30001		机头连接轴衬套P25	Nut P25			4	
6	10131004		螺钉刀(小)	Screw driver small			1	
7	10131003		螺钉刀(中)	Screw driver medium			1	
8	20731047		螺钉刀(大)	Screw driver large			1	
9	116032004		机头垫圈	Die cushion			2	
10	101530014		木螺钉M4 L=20	Wood screw M4 L=20			6	
11	116011030		平台支撑架衬套	Flig over the support seat component			1	
12	116020212		平台翻面支撑架衬套	Platform overturning support pad			1	
13	116032004		平台翻面支撑架	Platform overturning support seat			1	
14	11217001		螺母(119)	Nut(119)			4	
15	10118003		螺母	Bobbin			2	
16	11411001		防尘盖	Dust cover			1	
17	11631008		油圈组件	Oil can component			1	
18	113831011		干燥剂	Desiccant			1	
19	11411029		注射器	Syringe			1	
20	11601103100		防逆流装置组件	Governor			1	
21	11602021800		拉杆组件	Tie rod component			1	
22	116014003		锁钩牙(后部)	Feed dog			1	
23	116015010		针板	Needle plate			1	
24	11601104300		油盘托架组件	Oil pan tray component			1	
25	116011002		油盘托架	Oil pan tray			1	
26	116011042		带衬套的压板	Bracket			1	
27	S160011		十字槽圆柱头螺钉S13.5x32	Screw S13.5 L=32			4	
28	116011001		防尘罩	Dustproof board			1	
29	11603100600		绕线轴衬套	Thread stand arm			1	
30	116031007		绕线轴衬套	Rubber cover			1	
31	W010048		平垫圈5	Washer 5			2	
32	S410001		螺钉M5 L=30	Screw M5 L=30			2	
33	N01034		六角螺母M5	Nut M5			2	
34	116031008		上绕线轴衬套	Spoil rest arm upper			1	
35	10113011		衬套	Line cap			2	
36	116031017		绕线轴	Spoil pin			1	
37	116031012		绕线轴衬套	Spoil restainer			2	
38	10131010		绕线轴衬套	Spoil rest cushion			2	
39	116031015		绕线轴	Spoil rest			1	
40	116031014		下绕线轴衬套	Spoil rest arm lower			1	
41	11603100900		绕线轴衬套	Wire frame round seat upper			1	
42	116031010		绕线轴衬套	Wire frame round seat upper			1	
43	116031011		绕线轴衬套	Wire frame round seat lower			1	
44	10121006		绕线轴衬套	Spoil rest rod rubber ring			1	
45	W01052		平垫圈	Washer			1	
46	116031013		螺母螺母 M16*1.5	Nut M16*1.5			1	
47	11603001400		螺母螺母	Control screw			1	
48	S10009		螺钉M6 L=8	Screw M6 L=8			2	

无锡浙江智能科技有限公司
Wuxi Zhejiang Intelligent Sewing Technology Co., Ltd.
公司地址 (Address of Company):
浙江省杭州市临平区南苑街道新十路19号2幢303室
Room 303, Building A, No. 19 Xinfeng Road, Nan'yan Street, Linping District, Hangzhou City, Zhejiang
电话 (TEL): 400-8846-701
网站: www.wzjia.com
资料仅供参考, 恕不另行通知, 以实物为准。
You will be not informed if the file has been revised. Please set sample as standard.
日期: 2025.12